

# HP ProLiant DL380 Generation 4 Server User Guide



March 2006 (5th Edition)  
Part Number 395214-005



© Copyright 2004 - 2006 Hewlett-Packard Development Company, L.P.

The information contained herein is subject to change without notice. The only warranties for HP products and services are set forth in the express warranty statements accompanying such products and services. Nothing herein should be construed as constituting an additional warranty. HP shall not be liable for technical or editorial errors or omissions contained herein.

Microsoft, Windows, and Windows NT are U.S. registered trademarks of Microsoft Corporation.

Intel and Xeon are trademarks or registered trademarks of Intel Corporation or its subsidiaries in the United States and other countries.

Linux is a U.S. registered trademark of Linus Torvalds.

March 2006 (5th Edition)  
Part Number 395214-005

### Audience assumptions

This document is for the person who installs, administers, and troubleshoots servers and storage systems. HP assumes you are qualified in the servicing of computer equipment and trained in recognizing hazards in products with hazardous energy levels.

---

# Contents

Component identification .....	7
Front panel components .....	8
Front panel LEDs and buttons .....	9
Rear panel components .....	10
Rear panel LEDs and buttons .....	11
System board components .....	12
System maintenance switch .....	12
NMI switch .....	13
Chassis ID switch .....	13
DIMM slots .....	13
SCSI backplane components .....	14
SAS backplane components .....	15
System board LEDs .....	15
System LEDs and internal health LED combinations .....	16
SCSI backplane LEDs .....	18
Hot-plug SCSI hard drive LEDs .....	18
Hot-plug SCSI hard drive LED combinations .....	19
Hot-plug SAS hard drive LEDs .....	20
Hot-plug SAS hard drive LED combinations .....	20
PCI Hot Plug LED status combinations .....	21
PCI riser cage LED .....	22
Remote management connector .....	22
Internal PCI Hot Plug LEDs and button .....	23
Identifying hot-plug fans .....	23
Hot-plug fan LED .....	24
Power converter module LED .....	25
Battery-backed write cache LEDs .....	25
Battery-backed write cache LED statuses .....	26
Operations .....	27
Power up the server .....	27
Power down the server .....	27
Extend the server from the rack .....	28
Removing the access panel .....	29
Installing the access panel .....	29
Access the product rear panel .....	30
Cable management arm with left-hand swing .....	30
Cable management arm with right-hand swing .....	30
Setup .....	31
Optional installation services .....	31
Rack planning resources .....	32
Optimum environment .....	32
Space and airflow requirements .....	32
Temperature requirements .....	33
Power requirements .....	33
Electrical grounding requirements .....	33
Rack warnings .....	34
Identifying the contents of the server shipping carton .....	34
Installing hardware options .....	34

Installing the server into the rack.....	34
Installing the operating system.....	37
Powering up and configuring the server .....	37
Registering the server.....	37
<b>Hardware options installation.....</b>	<b>38</b>
Introduction .....	38
Processor option.....	38
Memory options.....	41
DIMM configuration requirements.....	42
Online spare memory configuration .....	42
Installing DIMMs .....	43
Hot-plug SCSI hard drive options.....	43
SCSI IDs.....	44
Removing a SCSI hard drive blank .....	44
Installing a hot-plug SCSI hard drive .....	45
Removing a hot-plug SCSI hard drive .....	45
Hot-plug SAS hard drive options .....	46
SAS drive numbers .....	46
Installing a hot-plug SAS hard drive .....	47
Removing a hot-plug SAS hard drive .....	48
Installing a diskette drive .....	48
Hot-plug tape drive option .....	49
Redundant hot-plug fans .....	50
Installation requirements .....	51
Identifying hot-plug fans .....	52
Installing redundant hot-plug fans .....	52
Front fan bracket .....	53
Battery-backed write cache option .....	54
Redundant hot-plug AC power supply option .....	55
PCI riser cage options.....	56
Installing the PCI riser cage.....	56
Removing the PCI riser cage .....	57
Expansion board options.....	58
Removing expansion slot cover 1.....	58
Removing expansion slot covers 2 and 3.....	59
Installing a non-hot-plug expansion board.....	60
Installing PCI hot plug expansion boards .....	61
<b>Cabling.....</b>	<b>64</b>
Cabling .....	64
SAS model cabling.....	64
SAS hard drive cabling .....	64
USB cabling.....	65
DVD/CD-ROM drive cabling.....	65
Diskette drive cabling.....	66
Power button/LED cabling .....	66
Optional PCI Hot Plug backplane cabling.....	67
RILOE II cabling.....	67
Internal power cabling .....	68
SCSI model cabling.....	68
Embedded simplex SCSI cabling .....	69
Embedded duplex SCSI cabling .....	69
PCI simplex SCSI cabling .....	70

PCI duplex SCSI cabling.....	71
Mixed duplex SCSI cabling .....	71
Installing the SCSI terminator board .....	73
Removing the SCSI terminator board.....	73
USB cabling.....	74
DVD/CD-ROM drive cabling.....	75
Diskette drive cabling.....	75
Power button/LED cabling .....	76
Optional PCI Hot Plug backplane cabling.....	76
RILOE II cabling.....	77
Internal power cabling .....	77
External storage cabling.....	78
<b>Software and configuration utilities .....</b>	<b>79</b>
Configuration tools .....	79
SmartStart software.....	79
HP ROM-Based Setup Utility.....	80
Array Configuration Utility .....	81
Option ROM Configuration for Arrays .....	82
HP ProLiant Essentials Rapid Deployment Pack.....	82
Re-entering the server serial number and product ID .....	82
Management tools.....	83
Automatic Server Recovery .....	83
ROMPaq utility.....	83
System Online ROM flash component utility .....	83
RILOE technology .....	84
StorageWorks library and tape tools.....	84
Management Agents.....	84
HP Systems Insight Manager .....	84
Redundant ROM support .....	84
iLO ROM-Based Setup Utility.....	85
USB support.....	86
Diagnostic tools .....	86
Survey Utility.....	86
Array Diagnostic Utility .....	87
HP Insight Diagnostics.....	87
Integrated Management Log .....	87
Keeping the system current .....	87
Drivers .....	87
Resource Paqs.....	88
ProLiant Support Packs .....	88
Operating system version support.....	88
Change control and proactive notification .....	88
Natural language search assistant .....	88
Care Pack .....	88
<b>Troubleshooting .....</b>	<b>89</b>
Troubleshooting resources .....	89
Server diagnostic steps .....	89
Important safety information.....	90
Symbols on equipment .....	90
Warnings and cautions .....	91
Prepare the server for diagnosis .....	91
Symptom information.....	92

Service notifications .....	92
Loose connections .....	92
Diagnostic steps .....	93
Start diagnosis flowchart .....	93
General diagnosis flowchart .....	94
Server power-on problems flowchart .....	96
POST problems flowchart .....	99
OS boot problems flowchart .....	100
Server fault indications flowchart .....	102
<b>Battery replacement .....</b>	<b>105</b>
<b>Regulatory compliance notices .....</b>	<b>106</b>
Regulatory compliance identification numbers .....	106
Federal Communications Commission notice .....	106
Declaration of conformity for products marked with the FCC logo, United States only .....	106
Modifications .....	107
Cables .....	107
Canadian notice .....	107
European Union regulatory notice .....	107
Disposal of waste equipment by users in private households in the European Union .....	108
Japanese notice .....	108
BSMI notice .....	108
Korean class A notice .....	109
Laser compliance .....	109
Taiwan battery recycling notice .....	109
Power cord statement for Japan .....	110
<b>Electrostatic discharge .....</b>	<b>111</b>
Preventing electrostatic discharge .....	111
Grounding methods to prevent electrostatic discharge .....	111
<b>Specifications .....</b>	<b>112</b>
Server specifications .....	112
Environmental specifications .....	112
<b>Technical support .....</b>	<b>114</b>
Before you contact HP .....	114
HP contact information .....	114
Customer self repair .....	114
<b>Acronyms and abbreviations .....</b>	<b>116</b>
<b>Index .....</b>	<b>119</b>

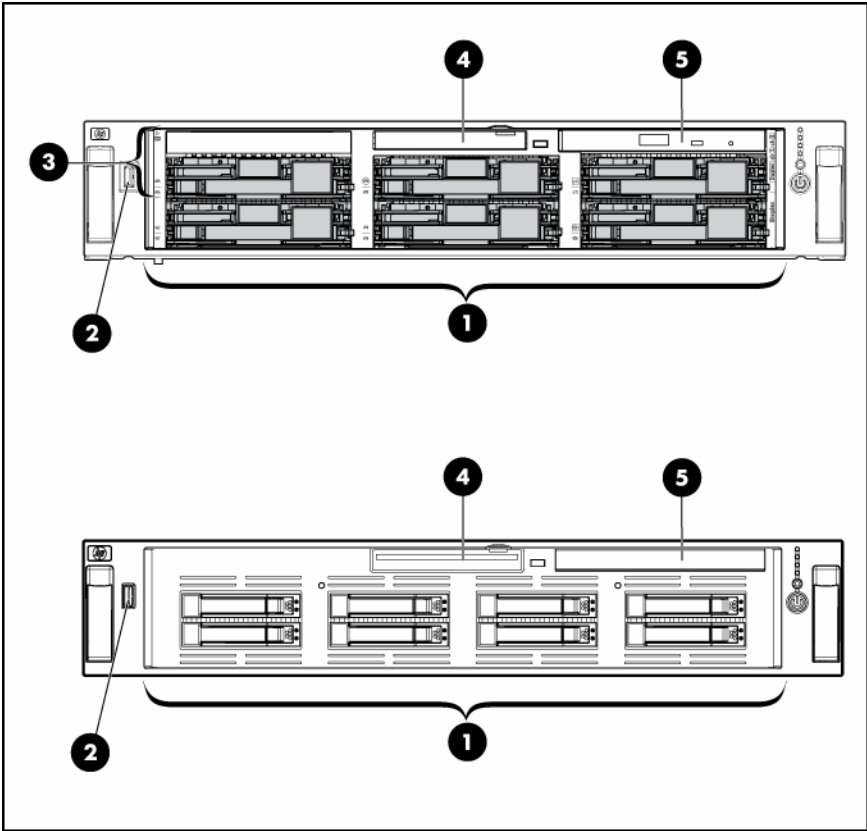
---

# Component identification

## In this section

Front panel components .....	8
Front panel LEDs and buttons .....	9
Rear panel components .....	10
Rear panel LEDs and buttons .....	11
System board components .....	12
SCSI backplane components .....	14
SAS backplane components .....	15
System board LEDs .....	15
System LEDs and internal health LED combinations .....	16
SCSI backplane LEDs .....	18
Hot-plug SCSI hard drive LEDs .....	18
Hot-plug SCSI hard drive LED combinations .....	19
Hot-plug SAS hard drive LEDs .....	20
Hot-plug SAS hard drive LED combinations .....	20
PCI Hot Plug LED status combinations .....	21
PCI riser cage LED .....	22
Remote management connector .....	22
Internal PCI Hot Plug LEDs and button .....	23
Identifying hot-plug fans .....	23
Hot-plug fan LED .....	24
Power converter module LED .....	25
Battery-backed write cache LEDs .....	25
Battery-backed write cache LED statuses .....	26

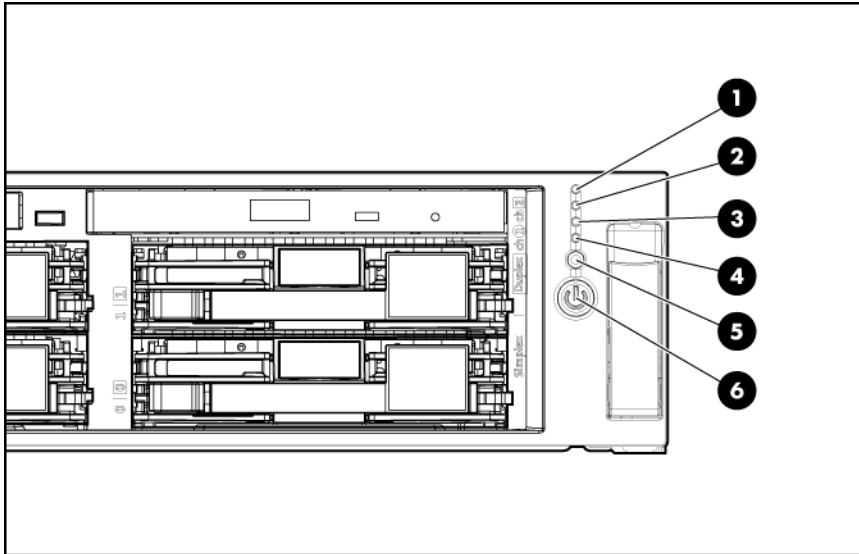
# Front panel components



Item	SCSI model (top)	SAS model (bottom)
1	Hard drive bays	Hard drive bays
2	USB port	USB port
3	Bay for tape drive or hard drive with tape drive blank	—
4	Diskette drive bay	Diskette drive bay
5	DVD/CD-ROM drive	DVD/CD-ROM drive

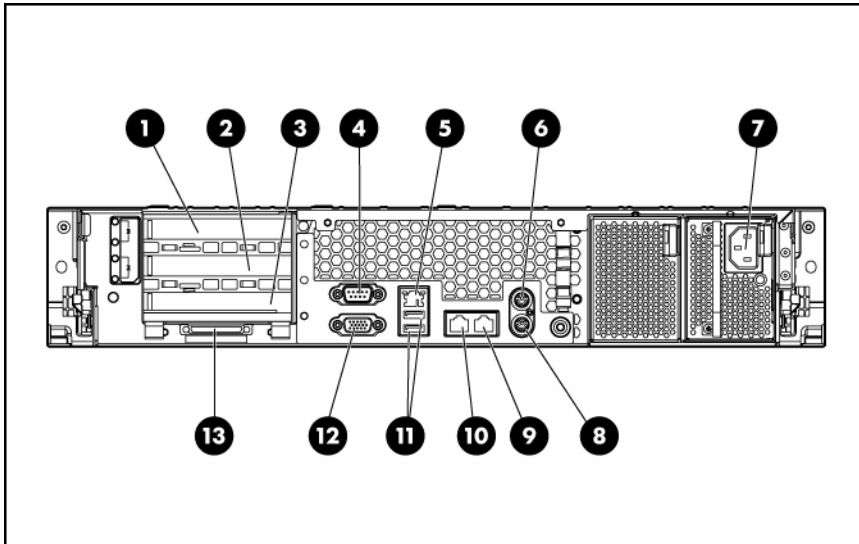


# Front panel LEDs and buttons



Item	Description	Status
1	Internal health LED	Green = Normal Amber = System degraded. Refer to system board LEDs to identify component in degraded state. Red = System critical. Refer to system board LEDs to identify component in critical state.
2	External health LED (power supply)	Green = Normal Amber = Power redundancy failure Red = Critical power supply failure
3	NIC 1 link/activity LED	Green = Network link Flashing = Network link and activity Off = No link to network. If power is off, view the rear panel RJ-45 LEDs for status.
4	NIC 2 link/activity LED	Green = Network link Flashing = Network link and activity Off = No link to network. If power is off, view the rear panel RJ-45 LEDs for status.
5	UID LED button	Blue = Activated Flashing = System being remotely managed Off = Deactivated
6	Power On/Standby button/system power LED	Green = System on Amber = System shut down, but power still applied Off = Power cord not attached or power supply failure

## Rear panel components

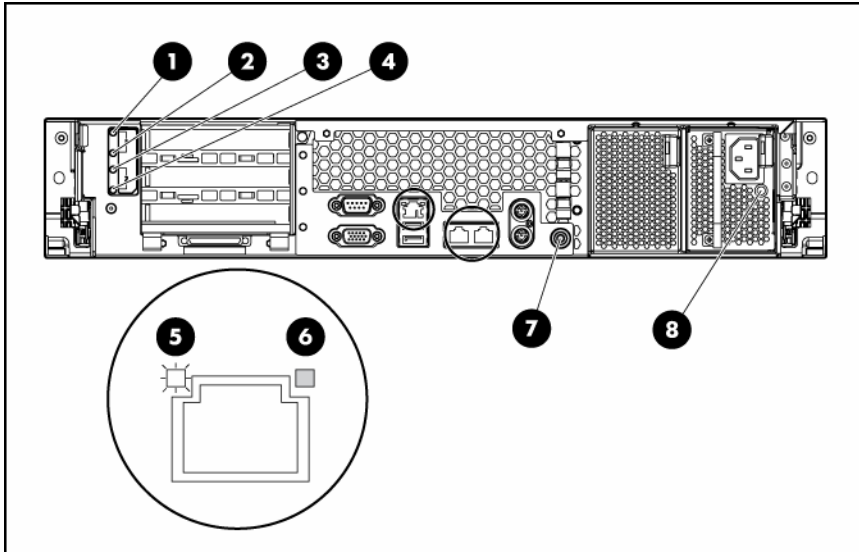


Item	Description	Color
1	<ul style="list-style-type: none"> <li>Hot-plug or non-hot-plug PCI-X expansion slot 3, 64 bit/100 MHz, bus B</li> <li>PCI Express x4 slot 2, bus B*</li> </ul>	N/A
2	<ul style="list-style-type: none"> <li>Hot-plug or non-hot-plug PCI-X expansion slot 2, 64 bit/100 MHz, bus B</li> <li>PCI Express x4 slot 1, bus A*</li> </ul>	N/A
3	Non-hot-plug PCI-X expansion slot 1, 64 bit/133 MHz, bus A	N/A
4	Serial connector	Teal
5	iLO connector	N/A
6	Mouse connector	Green
7	Power cord connector	N/A
8	Keyboard connector	Purple
9	NIC 1 connector	N/A
10	NIC 2 connector	N/A
11	USB connectors	Black
12	Video connector	Blue
13	VHD CI SCSI connector (port 1)**	N/A

\* x8 PCI Express cards are supported on the SCSI models and will run at x4 speeds. SAS models do not support PCI Express cards.

\*\*This feature applies only to SCSI models.

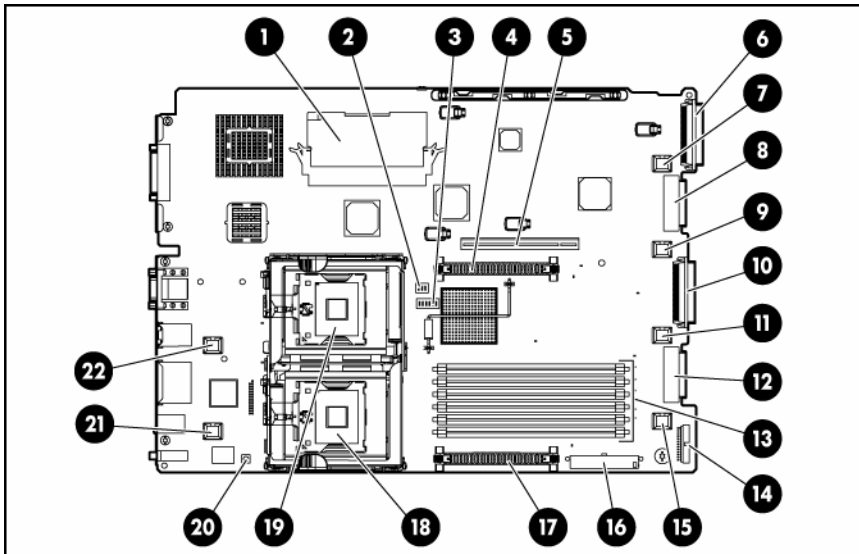
## Rear panel LEDs and buttons



Item	Description	LED Color	Status
1	PCI Hot Plug fault LED (slot 3)*	Amber	On = Expansion board failed Off = Normal
2	PCI Hot Plug power LED (slot 3)*	Green	On = Power is applied to the slot Flashing = Power is cycling Off = Power is not applied to the slot
3	PCI Hot Plug fault LED (slot 2)*	Amber	On = Expansion board failed Off = Normal
4	PCI Hot Plug power LED (slot 2)*	Green	On = Power is applied to the slot Flashing = Power is cycling Off = Power is not applied to the slot
5	RJ-45 activity LED	Green	On or flashing = Network activity Off = No network activity
6	RJ-45 link LED	Green	On = Linked to network Off = Not linked to network
7	UID LED button	Blue	On = Activated Flashing = System remotely managed Off = Deactivated
8	Power supply LED	Green	On = Power turned on and power supply functioning properly Off = One or more of the following conditions exists: <ul style="list-style-type: none"> <li>• AC power unavailable</li> <li>• Power supply failed</li> <li>• Power supply in standby mode</li> <li>• Power supply exceeded current limit</li> </ul>

\* This LED is only available when using the hot-plug expansion cage option.

# System board components



Item	Description	Item	Description
1	Smart Array 6i Cache Module Option*	12	Diskette drive system connector
2	Chassis ID switch	13	DIMM slots (1-6)
3	System maintenance switch	14	Power supply signal connector
4	PPM slot 2	15	Fan 6 connector
5	PCI riser cage connector	16	System power connector
6	SCSI connector (port 2)*	17	PPM slot 1
7	Fan 3 connector	18	Processor socket 1
8	DVD/CD-ROM drive system connector	19	Processor socket 2
9	Fan 4 connector	20	NMI switch
10	SCSI connector (port 1)*	21	Fan 2 connector
11	Fan 5 connector	22	Fan 1 connector

\*This feature applies only to SCSI models.

## System maintenance switch

Position	Default	Function
S1	Off	Off = iLO security is enabled. On = iLO security is disabled.
S2	Off	Off = System configuration can be changed. On = System configuration is locked.
S3	Off	Reserved
S4	Off	Off = Booting from diskette is controlled by RBSU. On = Booting from diskette is enabled and RBSU is overridden.

Position	Default	Function
S5	Off	Off = No function On = Clears power-on password and administrator password.
S6	Off	Off = No function On = Clear NVRAM.

When the system maintenance switch position 6 is set to the On position, the system is prepared to erase all system configuration settings from both CMOS and NVRAM.

**⚠ CAUTION:** Clearing CMOS and/or NVRAM deletes configuration information. Be sure to properly configure the server or data loss could occur.

## NMI switch

The NMI switch allows administrators to perform a memory dump before performing a hard reset. Crash dump analysis is an essential part of eliminating reliability problems, such as hangs or crashes in operating systems, device drivers, and applications. Many crashes freeze a system, requiring you to do a hard reset. Resetting the system erases any information that would support root cause analysis.

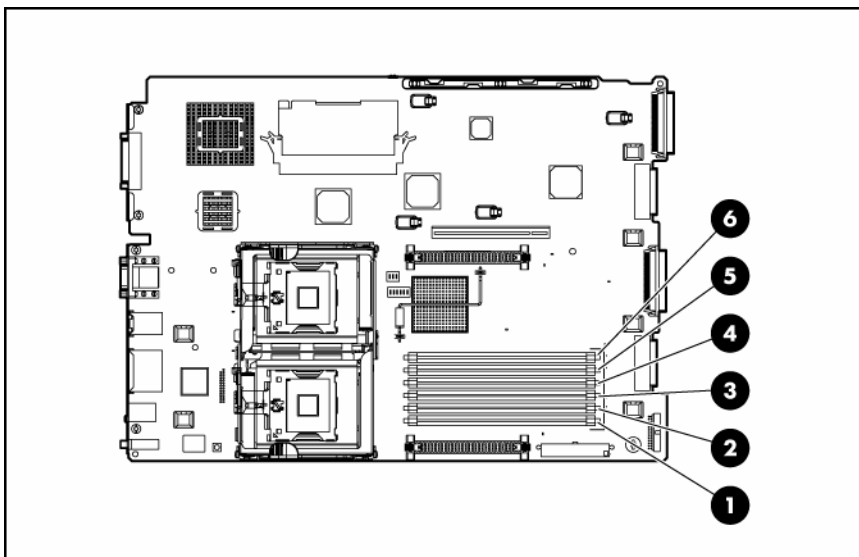
Systems running Microsoft® Windows® operating systems experience a blue screen trap when the operating system crashes. When this happens, Microsoft® recommends that system administrators perform an NMI event by pressing a dump switch. The NMI event enables a hung system to become responsive again.

## Chassis ID switch

The chassis ID switch on the system board is reserved for use by authorized technicians only. Do not modify the switch setting.

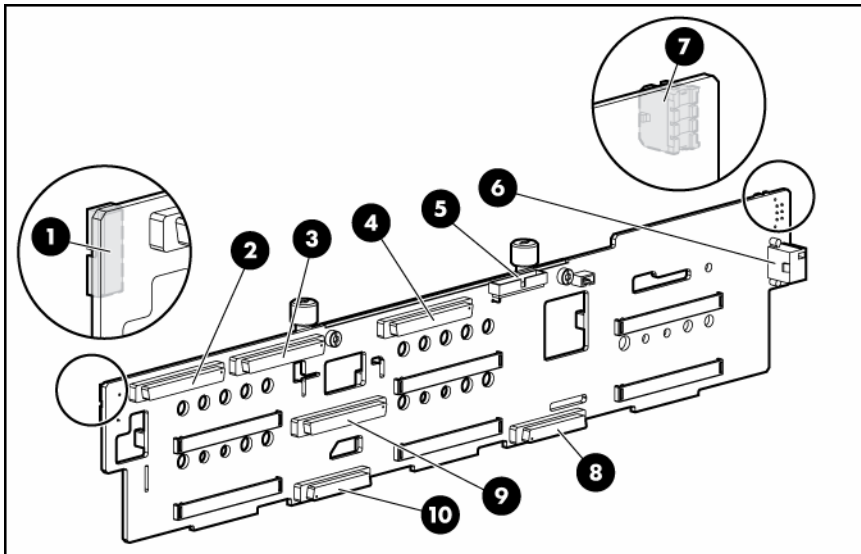
## DIMM slots

DIMM slots are numbered sequentially (1 through 6) and the paired banks are identified by the letters A, B, and C.



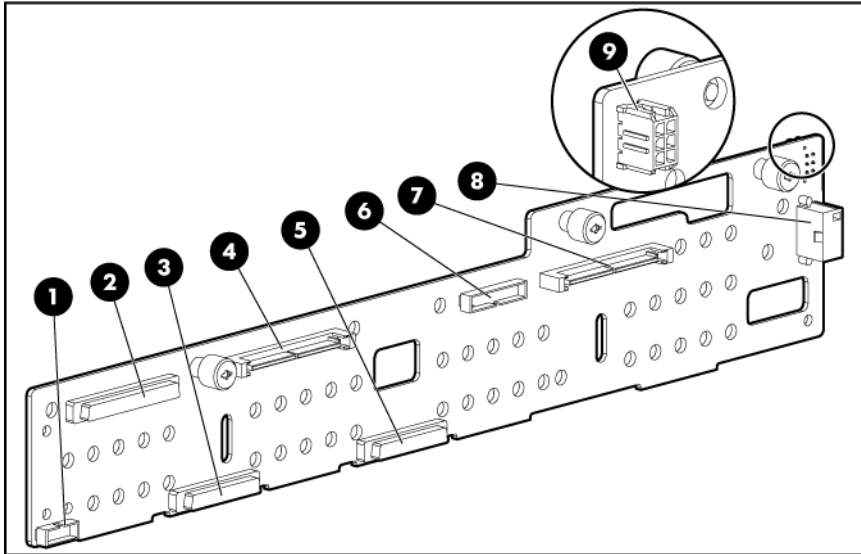
Item	Description
1	DIMM slot 1A
2	DIMM slot 2A
3	DIMM slot 3B
4	DIMM slot 4B
5	DIMM slot 5C
6	DIMM slot 6C

## SCSI backplane components



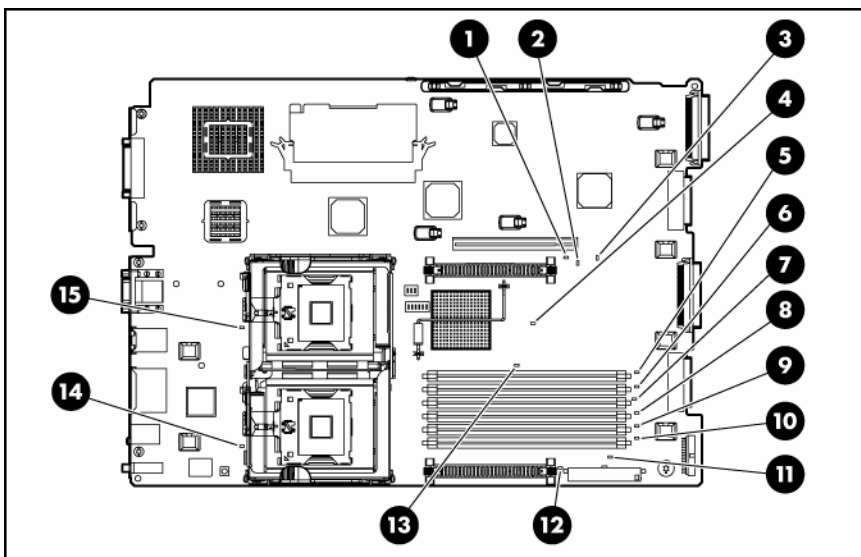
Item	Description
1	Power button/LED connector
2	SCSI connector (port 2)
3	DVD/CD-ROM drive connector
4	SCSI connector (port 1)
5	Diskette drive connector
6	Power connector
7	USB connector
8	Diskette drive system connector
9	SCSI connector (used with a jumper cable in simplex mode or terminator board in duplex mode)
10	DVD/CD-ROM drive system connector

## SAS backplane components



Item	Description
1	Power button/ LED connector
2	DVD/CD-ROM drive connector
3	DVD/CD-ROM drive system connector
4	SAS connector
5	Diskette drive system connector
6	Diskette drive connector
7	SAS connector
8	Power connector
9	USB connector

## System board LEDs



Item	LED description	Status
1	PPM 2 failure	Amber = PPM failed Off = Normal
2	Overtemperature	Amber = Cautionary or critical temperature level detected Off = Temperature OK
3	Riser interlock	Amber = PCI riser cage not seated Off = PCI riser cage is seated
4	Fan failure LED	Off = Fan is not powered Green = Normal Amber = Failure
5	DIMM 6C failure	Amber = Memory failed* Off = Normal
6	DIMM 5C failure	Amber = Memory failed* Off = Normal
7	DIMM 4B failure	Amber = Memory failed* Off = Normal
8	DIMM 3B failure	Amber = Memory failed* Off = Normal
9	DIMM 2A failure	Amber = Memory failed* Off = Normal
10	DIMM 1A failure	Amber = Memory failed* Off = Normal
11	Online spare memory	Amber = Failover, online spare memory in use Green = Enabled, but not in use Off = Disabled
12	PPM 1 failure	Amber = PPM failed Off = Normal
13	iLO diagnostic LEDs	Refer to the <i>HP Integrated Lights-Out User Guide</i> on the Documentation CD.
14	Processor 1 failure	Amber = Processor failed Off = Normal
15	Processor 2 failure	Amber = Processor failed Off = Normal

\*If all DIMM failure LEDs are lit, the memory configuration is invalid. Refer to "DIMM Configuration Requirements (on page 42)" for proper memory configuration.

## System LEDs and internal health LED combinations

When the internal health LED on the front panel illuminates either amber or red, the server is experiencing a health event. Combinations of illuminated system LEDs and the internal health LED indicate system status.

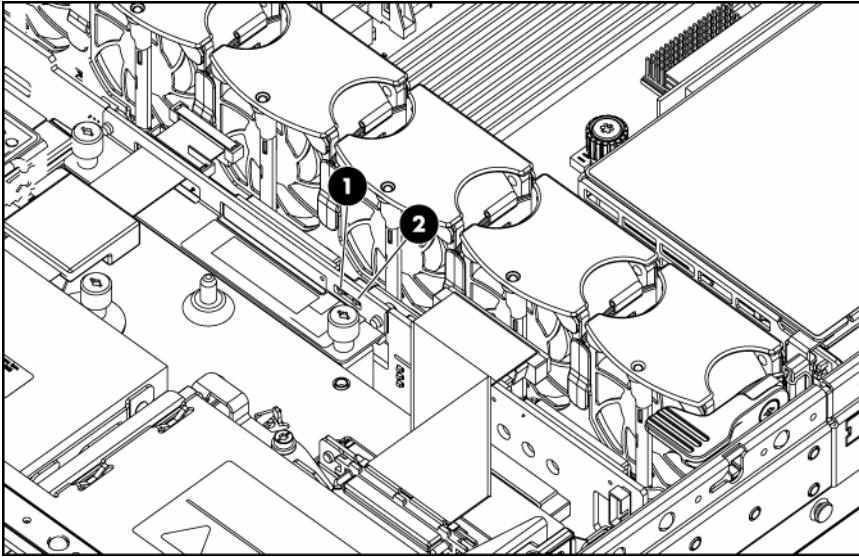


The front panel health LEDs indicate only the current hardware status. In some situations, HP SIM may report server status differently than the health LEDs because the software tracks more system attributes.

System LED and color	Internal health LED color	Status
Processor failure, socket X (Amber)	Red	One or more of the following conditions may exist: <ul style="list-style-type: none"> <li>• Processor in socket X has failed.</li> <li>• Processor X is not installed in the socket.</li> <li>• Processor X is unsupported.</li> <li>• ROM detects a failed processor during POST.</li> </ul>
	Amber	Processor in socket X is in a pre-failure condition.
PPM failure, slot X (Amber)	Red	<ul style="list-style-type: none"> <li>• PPM in slot X has failed.</li> <li>• PPM is not installed in slot X, but the corresponding processor is installed.</li> </ul>
DIMM failure, slot X (Amber)	Red	<ul style="list-style-type: none"> <li>• DIMM in slot X has failed.</li> </ul>
	Amber	<ul style="list-style-type: none"> <li>• DIMM in slot X is in a pre-failure condition.</li> </ul>
DIMM failure, all slots in one bank (Amber)	Red	No valid or usable memory is installed in the system.
Overtemperature (Amber)	Red	<ul style="list-style-type: none"> <li>• The Health Driver has detected a cautionary temperature level.</li> <li>• The server has detected a hardware critical temperature level.</li> </ul>
Riser interlock (Amber)	Red	PCI riser cage is not seated.
Online spare memory (Amber)	Amber	Bank X failed over to the online spare memory bank.
Power converter module (Amber)	Red	Power converter module has failed.
Fan (Amber)	Amber	Redundant fan has failed.
	Red	The minimum fan requirements are not being met. One or more fans have failed or are missing.
SCSI configuration error (Amber)*	Red	SCSI cabling or terminator configuration is incorrect for SCSI backplane.

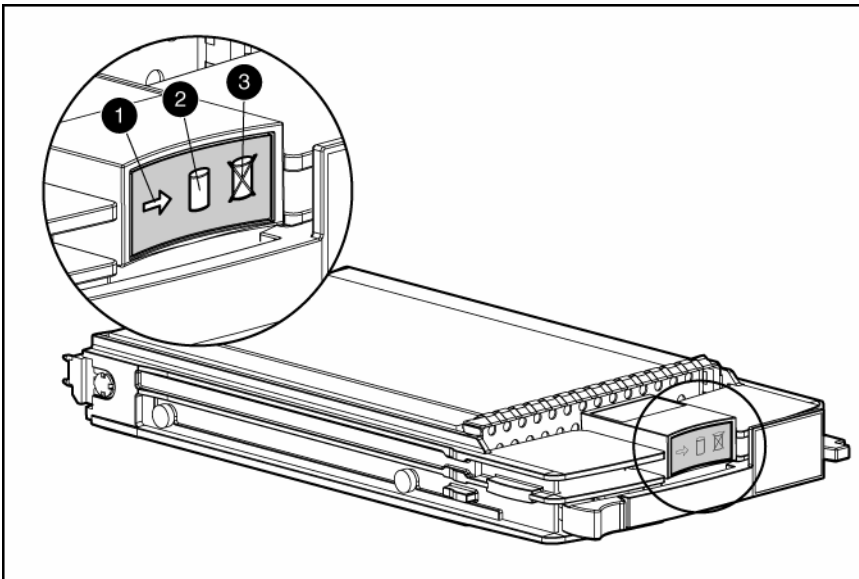
\*This feature applies only to SCSI models.

## SCSI backplane LEDs



Item	LED description	Status
1	SCSI configuration	On = Simplex Off = Duplex
2	SCSI configuration error	On = SCSI cabling or terminator configuration is incorrect Off = SCSI cabling or terminator configuration is correct

## Hot-plug SCSI hard drive LEDs



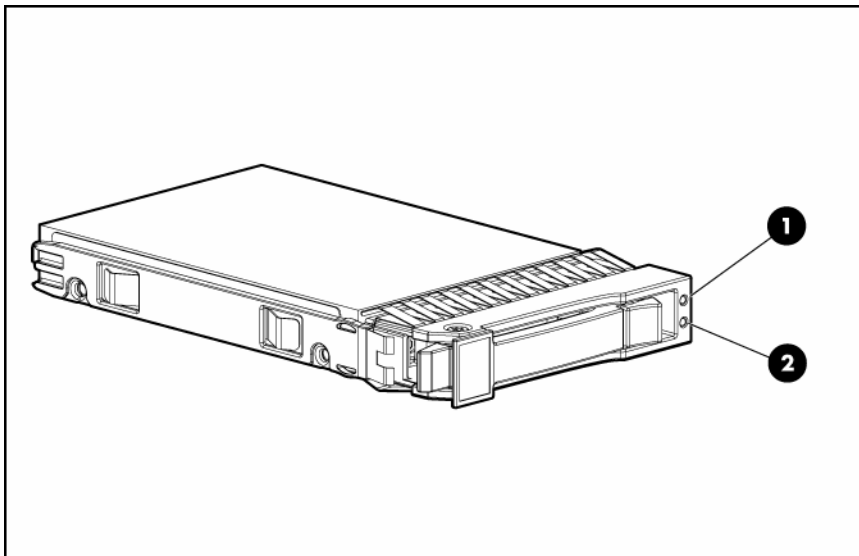
Item	LED description	Status
1	Activity status	On = Drive activity Flashing = High activity on the drive or drive is being configured as part of an array. Off = No drive activity
2	Online status	On = Drive is part of an array and is currently working. Flashing = Drive is actively online. Off = Drive is offline.
3	Fault status	On = Drive failure Flashing = Fault-process activity Off = No fault-process activity

## Hot-plug SCSI hard drive LED combinations

Activity LED (1)	Online LED (2)	Fault LED (3)	Interpretation
On, off, or flashing	On or off	Flashing	A predictive failure alert has been received for this drive. Replace the drive as soon as possible.
On, off, or flashing	On	Off	The drive is online and is configured as part of an array. If the array is configured for fault tolerance and all other drives in the array are online, and a predictive failure alert is received or a drive capacity upgrade is in progress, you may replace the drive online.
On or flashing	Flashing	Off	<b>Do not remove the drive. Removing a drive may terminate the current operation and cause data loss.</b> The drive is rebuilding or undergoing capacity expansion.
On	Off	Off	<b>Do not remove the drive.</b> The drive is being accessed, but (1) it is not configured as part of an array; (2) it is a replacement drive and rebuild has not yet started; or (3) it is spinning up during the POST sequence.
Flashing	Flashing	Flashing	<b>Do not remove the drive. Removing a drive may cause data loss in non-fault-tolerant configurations.</b> One or more of the following conditions may exist: <ul style="list-style-type: none"> <li>• The drive is part of an array being selected by an array configuration utility</li> <li>• Drive Identification has been selected in HP SIM</li> <li>• The drive firmware is being updated</li> </ul>
Off	Off	On	The drive has been placed offline due to hard disk drive failure or subsystem communication failure. You may need to replace the drive.

Activity LED (1)	Online LED (2)	Fault LED (3)	Interpretation
Off	Off	Off	<p>One or more of the following conditions may exist:</p> <ul style="list-style-type: none"> <li>The drive is not configured as part of an array</li> <li>The drive is configured as part of an array, but it is a replacement drive that is not being accessed or being rebuilt yet</li> <li>The drive is configured as an online spare</li> </ul> <p>If the drive is connected to an array controller, you may replace the drive online.</p>

## Hot-plug SAS hard drive LEDs



Item	Description
1	Fault/UID LED (amber/blue)
2	Online LED (green)

## Hot-plug SAS hard drive LED combinations

Online/activity LED (green)	Fault/UID LED (amber/blue)	Interpretation
On, off, or flashing	Alternating amber and blue	The drive has failed, or a predictive failure alert has been received for this drive; it also has been selected by a management application.
On, off, or flashing	Steadily blue	The drive is operating normally, and it has been selected by a management application.
On	Amber, flashing regularly (1 Hz)	A predictive failure alert has been received for this drive. Replace the drive as soon as possible.
On	Off	The drive is online, but it is not active currently.

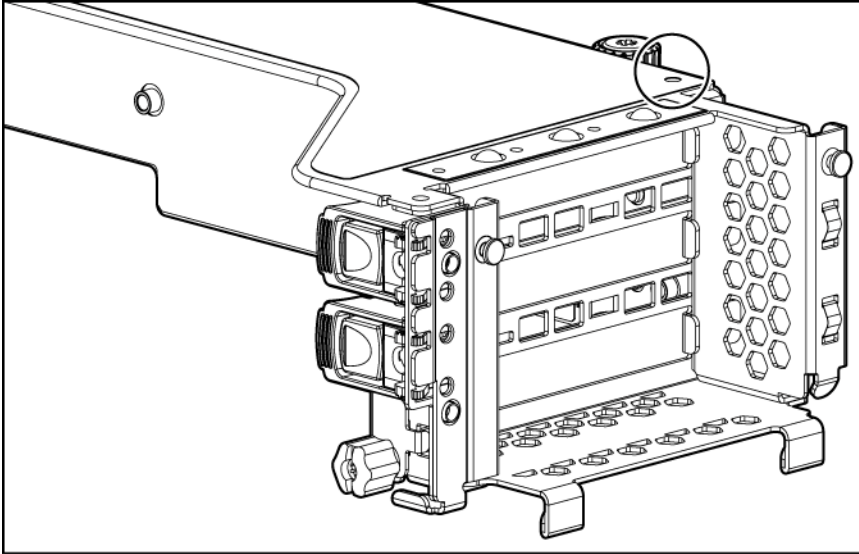
Online/activity LED (green)	Fault/UID LED (amber/blue)	Interpretation
Flashing regularly (1 Hz)	Amber, flashing regularly (1 Hz)	<b>Do not remove the drive. Removing a drive may terminate the current operation and cause data loss.</b> The drive is part of an array that is undergoing capacity expansion or stripe migration, but a predictive failure alert has been received for this drive. To minimize the risk of data loss, do not replace the drive until the expansion or migration is complete.
Flashing regularly (1 Hz)	Off	<b>Do not remove the drive. Removing a drive may terminate the current operation and cause data loss.</b> The drive is rebuilding, or it is part of an array that is undergoing capacity expansion or stripe migration.
Flashing irregularly	Amber, flashing regularly (1 Hz)	The drive is active, but a predictive failure alert has been received for this drive. Replace the drive as soon as possible.
Flashing irregularly	Off	The drive is active, and it is operating normally.
Off	Steadily amber	A critical fault condition has been identified for this drive, and the controller has placed it offline. Replace the drive as soon as possible.
Off	Amber, flashing regularly (1 Hz)	A predictive failure alert has been received for this drive. Replace the drive as soon as possible.
Off	Off	The drive is offline, a spare, or not configured as part of an array.

## PCI Hot Plug LED status combinations

Power LED (green)	Fault LED (amber)	OK to open?	Slot status
On	Off	No	The power to the slot is on and the slot is functioning normally. <b>Do NOT open the slot release lever.</b>
On	On	No	The power to the slot is on, but the slot needs attention for a possible problem with the slot, board, or driver. <b>DO NOT open the slot release lever.</b> Examine the logs and HP SIM. If the expansion board is faulty, remove or replace the board.
Flashing	On or off	No	The power to the slot is being turned off or on, which may take several seconds. <b>DO NOT open the slot release lever.</b> To cancel the operation, press the PCI Hot Plug button.
Off	On	Yes	The power to the slot is off, but the slot needs attention for a possible problem with the slot, board, or driver.
Off	Off	Yes	The power to the slot is off.

## PCI riser cage LED

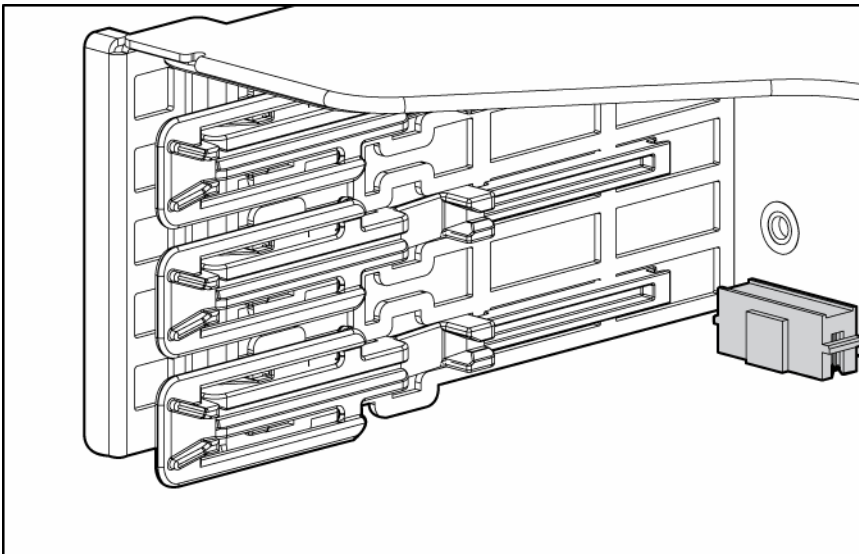
**CAUTION:** To prevent damage to the server or expansion boards, power down the server and remove all AC power cords before removing or installing the PCI riser cage.



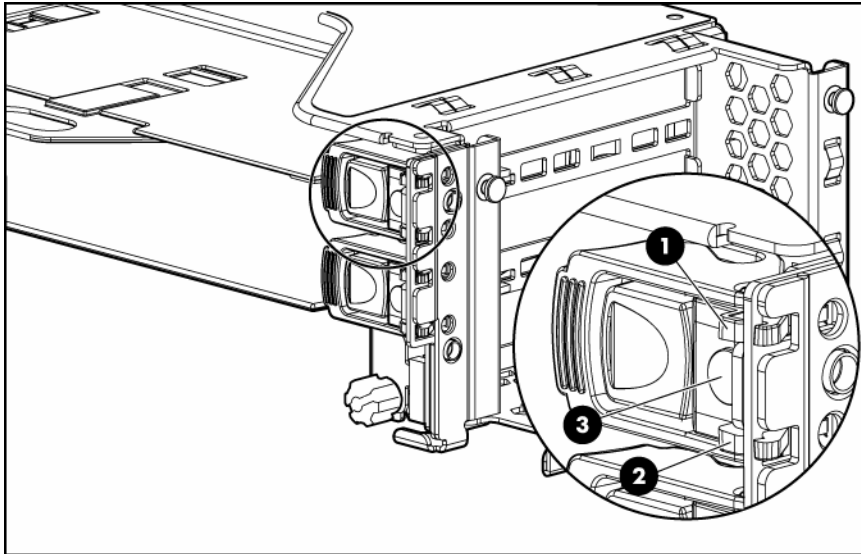
Status
On = AC power connected
Off = AC power disconnected

## Remote management connector

The 30-pin remote management connector, located on the PCI riser cage, is used to cable the Remote Insight Lights-Out Edition II option. For more information, refer to "RILOE II cabling (on page 67)" or the *Remote Insight Lights-Out Edition II User Guide* on the Documentation CD.



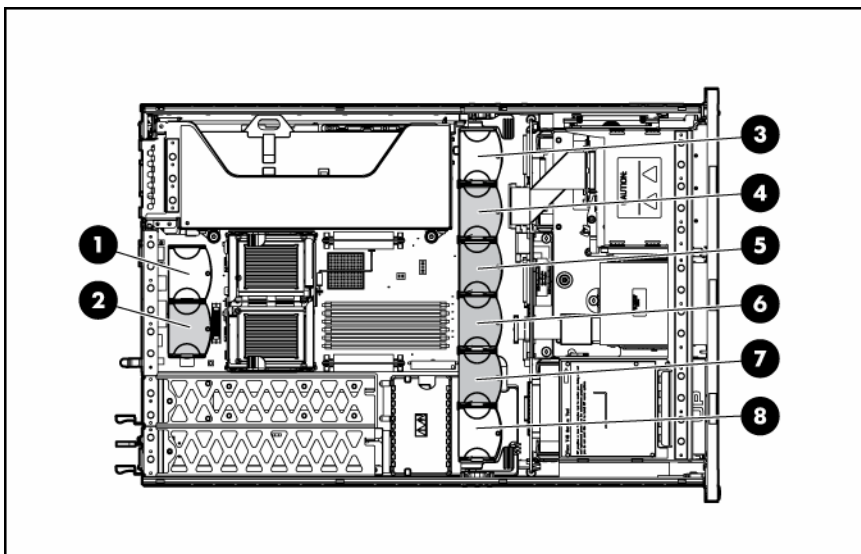
## Internal PCI Hot Plug LEDs and button



 **NOTE:** Hot-plug LEDs are available only with the optional hot-plug PCI riser cage.

Item	Description	Status
1	Fault LED (Amber)	On = Expansion board failed. Off = Normal
2	Power LED (Green)	On = Power is applied to the slot. Flashing = Power is cycling. Off = Power is not applied to the slot.
3	PCI Hot Plug button	N/A

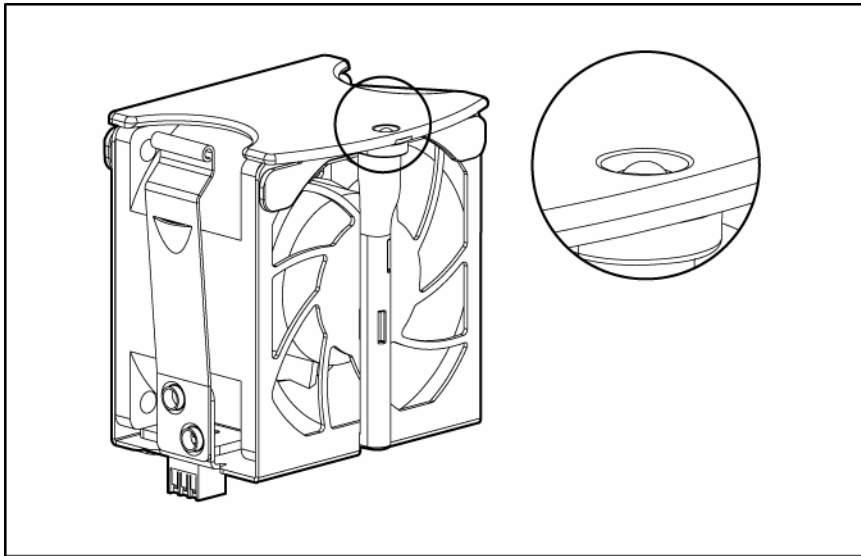
## Identifying hot-plug fans



Item	Description	Configuration
1	Fan 1	Redundant

Item	Description	Configuration
2	Fan 2	Primary
3	Fan 3	Redundant
4	Fan 4	Primary
5	Fan 5	Primary
6	Fan 6	Primary
7	Fan 7	Primary
8	Fan 8	Redundant

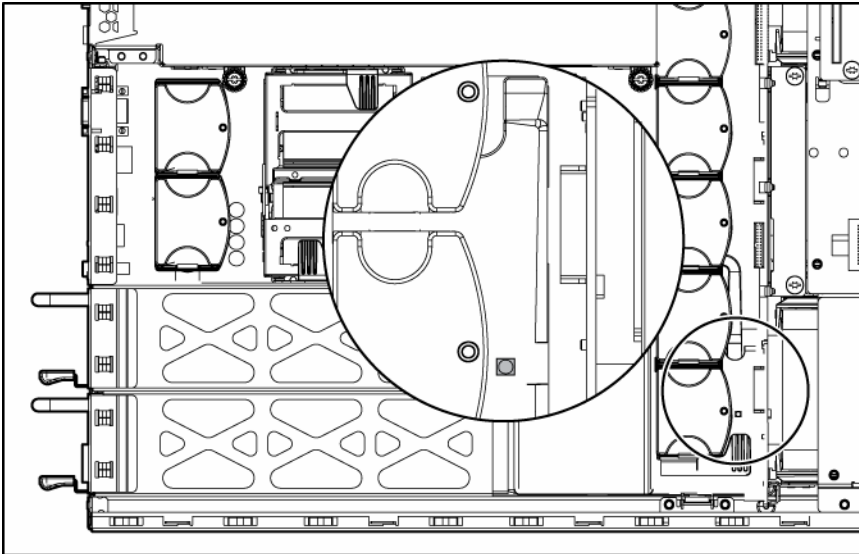
## Hot-plug fan LED



Status
Green = Operating normally
Amber = Failed
Off = No power




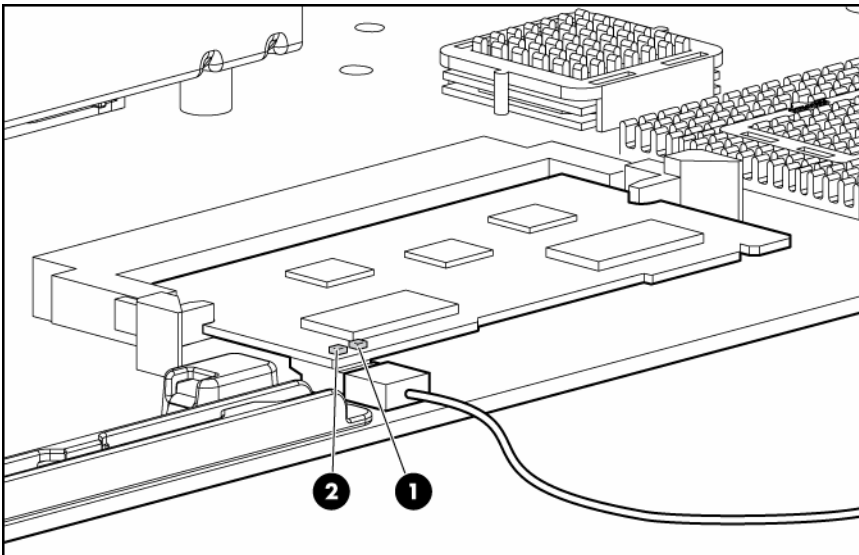
## Power converter module LED



Status
Amber = Failed
Off = Operating normally

## Battery-backed write cache LEDs

 **NOTE:** This feature applies only to SCSI models.



Item	LED color
1	Amber
2	Green

For LED status information, refer to "Battery-backed write cache LED statuses (on page 26)."

# Battery-backed write cache LED statuses



**NOTE:** This feature applies only to SCSI models.

Server status	LED status	Battery module status
Server is on and has normal run time	Green = On	Fast charging
	Green = Flashing	The microcontroller is waiting for communication from the host controller.
	Green = Off	The battery is fully charged.
	Amber = On	A short exists in the connection of one or more of the three button cells within the battery module.
	Amber = Flashing	An open exists in the circuit between the positive and negative terminals of the battery module.
	Amber = Off	Normal
Server is off and is in data retention mode	Amber = Flashing every 15 seconds	User data held in the write cache is being backed up.

---

# Operations


## In this section

Power up the server .....	27
Power down the server.....	27
Extend the server from the rack .....	28
Removing the access panel.....	29
Installing the access panel.....	29
Access the product rear panel.....	30

## Power up the server

To power up the server, press the Power On/Standby button.

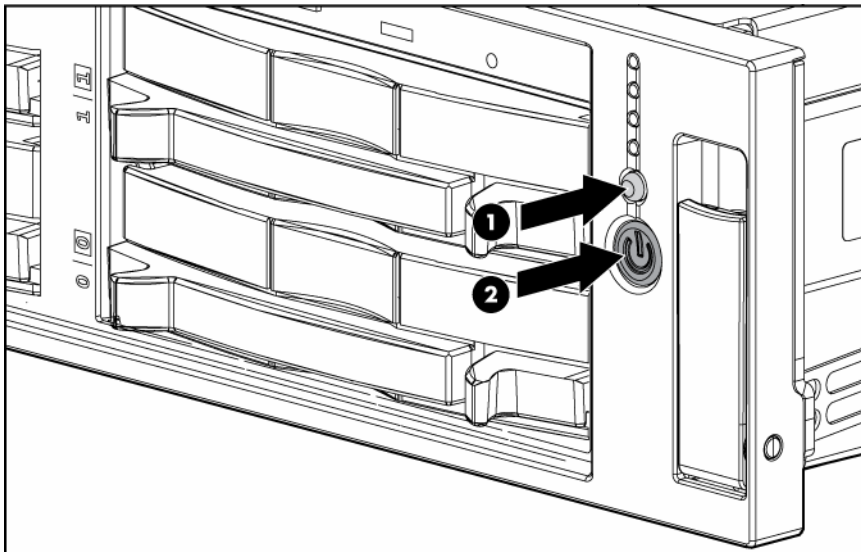
## Power down the server

 **WARNING:** To reduce the risk of personal injury, electric shock, or damage to the equipment, remove the power cord to remove power from the server. The front panel Power On/Standby button does not completely shut off system power. Portions of the power supply and some internal circuitry remain active until AC power is removed.

 **IMPORTANT:** If installing a hot-plug device, it is not necessary to power down the server.

1. Back up the server data.
2. Shut down the operating system as directed by the operating system documentation.
3. If the server is installed in a rack, press the UID LED button on the front panel (1). Blue LEDs illuminate on the front and rear panels of the server.

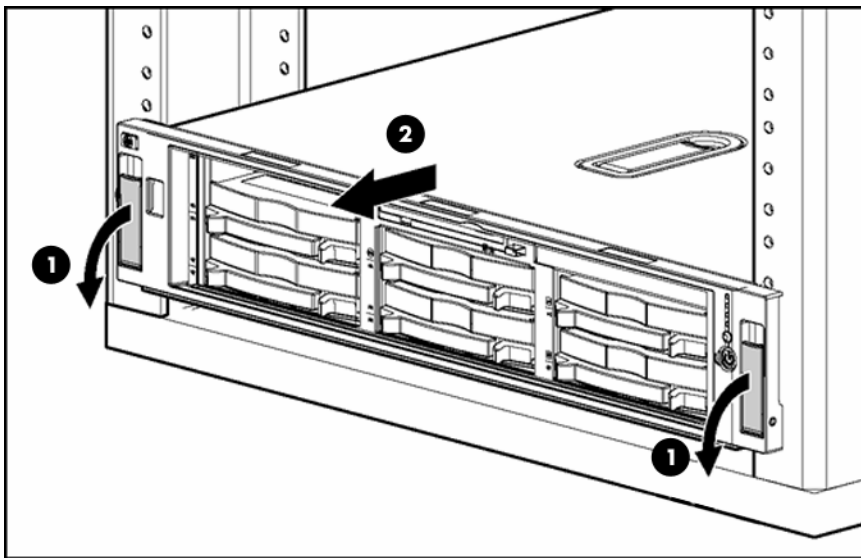
4. Press the Power On/Standby button to place the server in standby mode (2). When the server activates standby power mode, the system power LED changes to amber.



5. If the server is installed in a rack, locate the server by identifying the illuminated rear UID LED button.
  6. Disconnect the power cords.
- The system is now without power.

## Extend the server from the rack

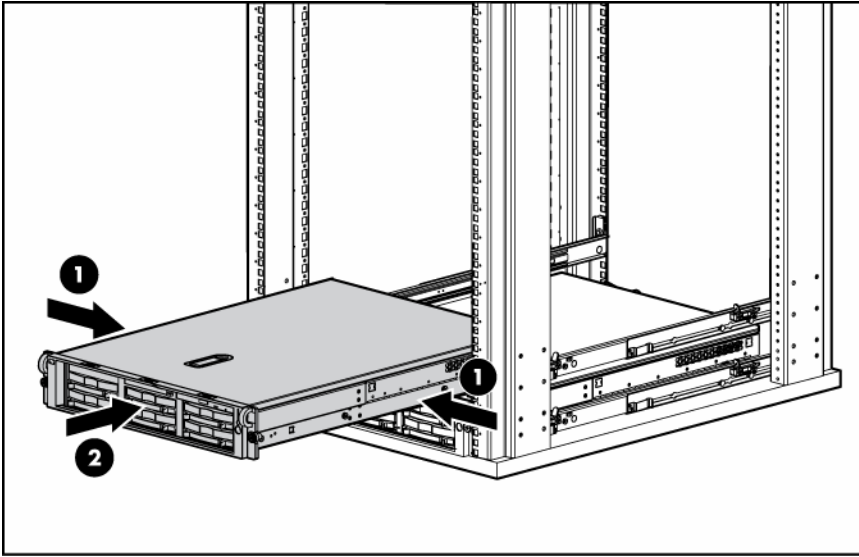
1. Pull down the quick release levers on each side of the server to release the server from the rack.



2. Extend the server on the rack rails until the server rail-release latches engage.

- ⚠ **WARNING:** To reduce the risk of personal injury or equipment damage, be sure that the rack is adequately stabilized before extending a component from the rack.
- ⚠ **WARNING:** To reduce the risk of personal injury, be careful when pressing the server rail-release latches and sliding the server into the rack. The sliding rails could pinch your fingers.

3. After performing the installation or maintenance procedure, slide the server back into the rack:
  - a. Press the server rail-release latches and slide the server fully into rack.



- b. Press the server firmly into the rack to secure it in place.

## Removing the access panel

**⚠ WARNING:** To reduce the risk of personal injury from hot surfaces, allow the drives and the internal system components to cool before touching them.

**⚠ CAUTION:** Do not operate the server for long periods with the access panel open or removed. Operating the server in this manner results in improper airflow and improper cooling that can lead to thermal damage.

To remove the component:

1. Power down the server if performing a non-hot-plug installation or maintenance procedure ("[Power down the server](#)" on page 27).
2. Extend the server from the rack, if applicable ("[Extend the server from the rack](#)" on page 28).
3. Lift up on the hood latch handle and remove the access panel.

To replace the component, reverse the removal procedure.

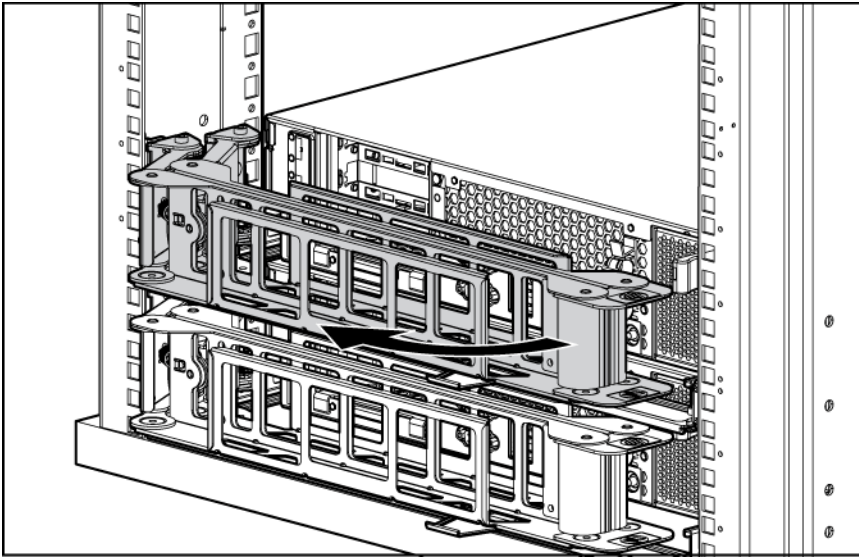
## Installing the access panel

1. Place the access panel on top of the server with the hood latch open. Allow the panel to extend past the rear of the server approximately 1.25 cm (0.5 in).
2. Push down on the hood latch. The access panel slides to a closed position.

# Access the product rear panel

## Cable management arm with left-hand swing

To access the server rear panel, open the cable management arm.



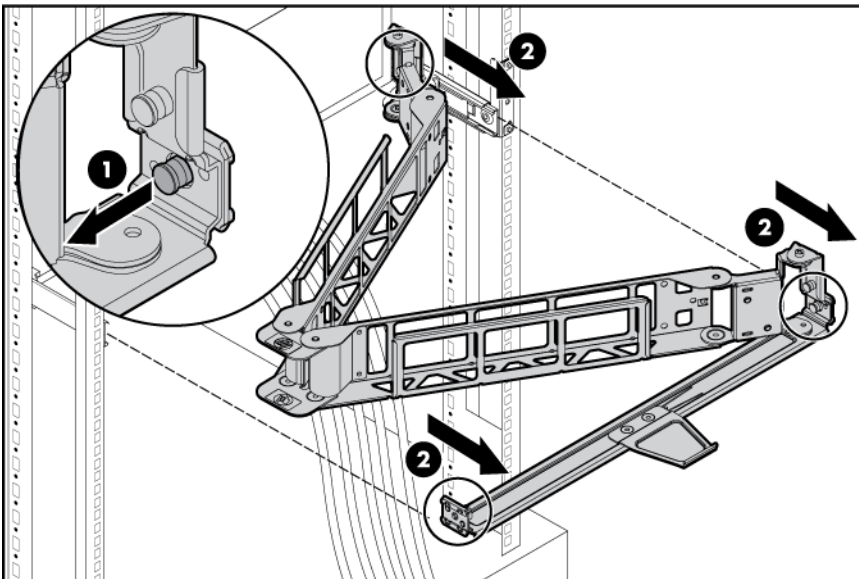
## Cable management arm with right-hand swing



**NOTE:** To access some components, you may need to remove the cable management arm.

To access the product rear panel components, open the cable management arm:

1. Power down the server (on page 27).
2. Swing open the cable management arm.
3. Remove the cables from the cable trough.
4. Remove the cable management arm.



---

# Setup

## In this section

Optional installation services .....	31
Rack planning resources .....	32
Optimum environment.....	32
Rack warnings .....	34
Identifying the contents of the server shipping carton .....	34
Installing hardware options .....	34
Installing the server into the rack .....	34
Installing the operating system .....	37
Powering up and configuring the server .....	37
Registering the server.....	37

## Optional installation services

Delivered by experienced, certified engineers, HP Care Pack services help you keep your servers up and running with support packages tailored specifically for HP ProLiant systems. HP Care Packs let you integrate both hardware and software support into a single package. A number of service level options are available to meet your needs.

HP Care Pack Services offer upgraded service levels to expand your standard product warranty with easy-to-buy, easy-to-use support packages that help you make the most of your server investments. Some of the Care Pack services are:

- Hardware support
  - 6-Hour Call-to-Repair
  - 4-Hour 24x7 Same Day
  - 4-Hour Same Business Day
- Software support
  - Microsoft®
  - Linux
  - HP ProLiant Essentials (HP SIM and RDP)
  - VMWare
- Integrated hardware and software support
  - Critical Service
  - Proactive 24
  - Support Plus
  - Support Plus 24
- Startup and implementation services for both hardware and software

For more information on Care Packs, refer to the HP website ([http://www.hp.com/hps/carepack/servers/cp\\_proliant.html](http://www.hp.com/hps/carepack/servers/cp_proliant.html)).

## Rack planning resources

The rack resource kit ships with all HP branded or Compaq branded 9000, 10000, and H9 series racks. For more information on the content of each resource, refer to the rack resource kit documentation.

If you intend to deploy and configure multiple servers in a single rack, refer to the white paper on high-density deployment at the HP website (<http://www.hp.com/products/servers/platforms>).

## Optimum environment

When installing the server in a rack, select a location that meets the environmental standards described in this section.

### Space and airflow requirements

To allow for servicing and adequate airflow, observe the following space and airflow requirements when deciding where to install a rack:

- Leave a minimum clearance of 63.5 cm (25 in) in front of the rack.
- Leave a minimum clearance of 76.2 cm (30 in) behind the rack.
- Leave a minimum clearance of 121.9 cm (48 in) from the back of the rack to the back of another rack or row of racks.

HP servers draw in cool air through the front door and expel warm air through the rear door. Therefore, the front and rear rack doors must be adequately ventilated to allow ambient room air to enter the cabinet, and the rear door must be adequately ventilated to allow the warm air to escape from the cabinet.

**△ CAUTION:** To prevent improper cooling and damage to the equipment, do not block the ventilation openings.

When vertical space in the rack is not filled by a server or rack component, the gaps between the components cause changes in airflow through the rack and across the servers. Cover all gaps with blanking panels to maintain proper airflow.

**△ CAUTION:** Always use blanking panels to fill empty vertical spaces in the rack. This arrangement ensures proper airflow. Using a rack without blanking panels results in improper cooling that can lead to thermal damage.

The 9000 and 10000 Series Racks provide proper server cooling from flow-through perforations in the front and rear doors that provide 64 percent open area for ventilation.

**△ CAUTION:** When using a Compaq branded 7000 Series rack, you must install the high airflow rack door insert [P/N 327281-B21 (42U) or P/N 157847-B21 (22U)] to provide proper front-to-back airflow and cooling.

**△ CAUTION:** If a third-party rack is used, observe the following additional requirements to ensure adequate airflow and to prevent damage to the equipment:

- Front and rear doors—If the 42U rack includes closing front and rear doors, you must allow 5,350 sq cm (830 sq in) of holes evenly distributed from top to bottom to permit adequate airflow (equivalent to the required 64 percent open area for ventilation).
- Side—The clearance between the installed rack component and the side panels of the rack must be a minimum of 7 cm (2.75 in).



## Temperature requirements

To ensure continued safe and reliable equipment operation, install or position the system in a well-ventilated, climate-controlled environment.

The maximum recommended ambient operating temperature (TMRA) for most server products is 35°C (95°F). The temperature in the room where the rack is located must not exceed 35°C (95°F).

- △ CAUTION:** To reduce the risk of damage to the equipment when installing third-party options:
- Do not permit optional equipment to impede airflow around the server or to increase the internal rack temperature beyond the maximum allowable limits.
  - Do not exceed the manufacturer's TMRA.

## Power requirements

Installation of this equipment must comply with local and regional electrical regulations governing the installation of information technology equipment by licensed electricians. This equipment is designed to operate in installations covered by NFPA 70, 1999 Edition (National Electric Code) and NFPA-75, 1992 (code for Protection of Electronic Computer/Data Processing Equipment). For electrical power ratings on options, refer to the product rating label or the user documentation supplied with that option.

- △ WARNING:** To reduce the risk of personal injury, fire, or damage to the equipment, do not overload the AC supply branch circuit that provides power to the rack. Consult the electrical authority having jurisdiction over wiring and installation requirements of your facility.

- △ CAUTION:** Protect the server from power fluctuations and temporary interruptions with a regulating uninterruptible power supply (UPS). This device protects the hardware from damage caused by power surges and voltage spikes and keeps the system in operation during a power failure.

When installing more than one server, you may need to use additional power distribution devices to safely provide power to all devices. Observe the following guidelines:

- Balance the server power load between available AC supply branch circuits.
- Do not allow the overall system AC current load to exceed 80 percent of the branch circuit AC current rating.
- Do not use common power outlet strips for this equipment.
- Provide a separate electrical circuit for the server.

## Electrical grounding requirements

The server must be grounded properly for proper operation and safety. In the United States, you must install the equipment in accordance with NFPA 70, 1999 Edition (National Electric Code), Article 250, as well as any local and regional building codes. In Canada, you must install the equipment in accordance with Canadian Standards Association, CSA C22.1, Canadian Electrical Code. In all other countries, you must install the equipment in accordance with any regional or national electrical wiring codes, such as the International Electrotechnical Commission (IEC) Code 364, parts 1 through 7. Furthermore, you must be sure that all power distribution devices used in the installation, such as branch wiring and receptacles, are listed or certified grounding-type devices.

Because of the high ground-leakage currents associated with multiple servers connected to the same power source, HP recommends the use of a PDU that is either permanently wired to the building's branch circuit or includes a nondetachable cord that is wired to an industrial-style plug. NEMA locking-style plugs or those complying with IEC 60309 are considered suitable for this purpose. Using common power outlet strips for the server is not recommended.

## Rack warnings

- ⚠ WARNING:** To reduce the risk of personal injury or damage to the equipment, be sure that:
- The leveling jacks are extended to the floor.
  - The full weight of the rack rests on the leveling jacks.
  - The stabilizing feet are attached to the rack if it is a single-rack installation.
  - The racks are coupled together in multiple-rack installations.
  - Only one component is extended at a time. A rack may become unstable if more than one component is extended for any reason.
- ⚠ WARNING:** To reduce the risk of personal injury or equipment damage when unloading a rack:
- At least two people are needed to safely unload the rack from the pallet. An empty 42U rack can weigh as much as 115 kg (253 lb), can stand more than 2.1 m (7 ft) tall, and may become unstable when being moved on its casters.
  - Never stand in front of the rack when it is rolling down the ramp from the pallet. Always handle the rack from both sides.

## Identifying the contents of the server shipping carton

Unpack the server shipping carton and locate the materials and documentation necessary for installing the server. All the rack mounting hardware necessary for installing the server into the rack is included with the rack or the server.

The contents of the server shipping carton include:

- Server
- Power cord
- Hardware documentation, Documentation CD, and software products
- Rack-mounting hardware

In addition to the supplied items, you may need:

- Operating system or application software
- Hardware options

## Installing hardware options

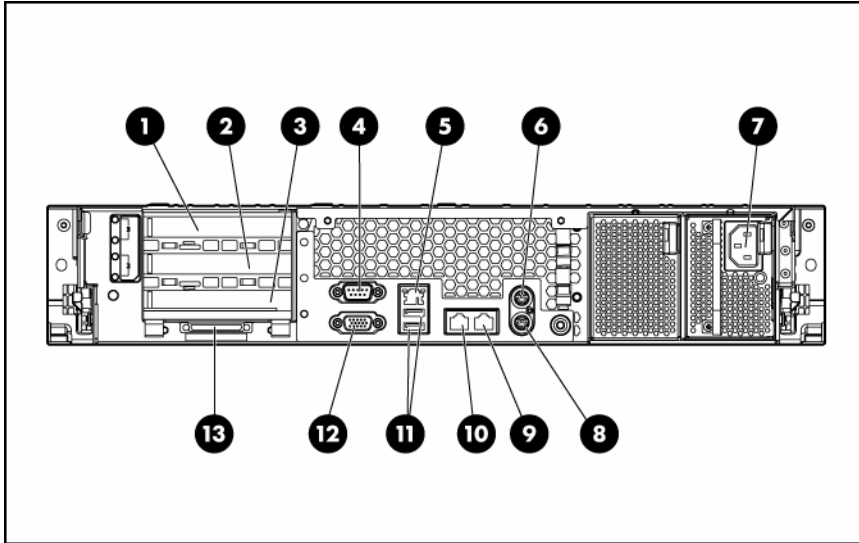
Install any hardware options before initializing the server. For options installation information, refer to the option documentation. For server-specific information, refer to "Hardware options installation (on page 38)."

## Installing the server into the rack

- ⚠ CAUTION:** Always plan the rack installation so that the heaviest item is on the bottom of the rack. Install the heaviest item first, and continue to populate the rack from the bottom to the top.
1. Install the server and cable management arm into the rack. Refer to the installation instructions that ship with the 2U Quick Deploy Rail System for more information.
  2. Connect peripheral devices to the server.

**⚠ WARNING:** To reduce the risk of electric shock, fire, or damage to the equipment, do not plug telephone or telecommunications connectors into RJ-45 connectors.

**📄 IMPORTANT:** If the RILOE II board is installed in the server, be sure that you attach the video cable to the video connector on the rear of the RILOE II board. The standard video connector on the server rear panel is not used when the RILOE II board is installed. For more information, refer to the *HP Remote Insight Lights-Out Edition II User Guide*.



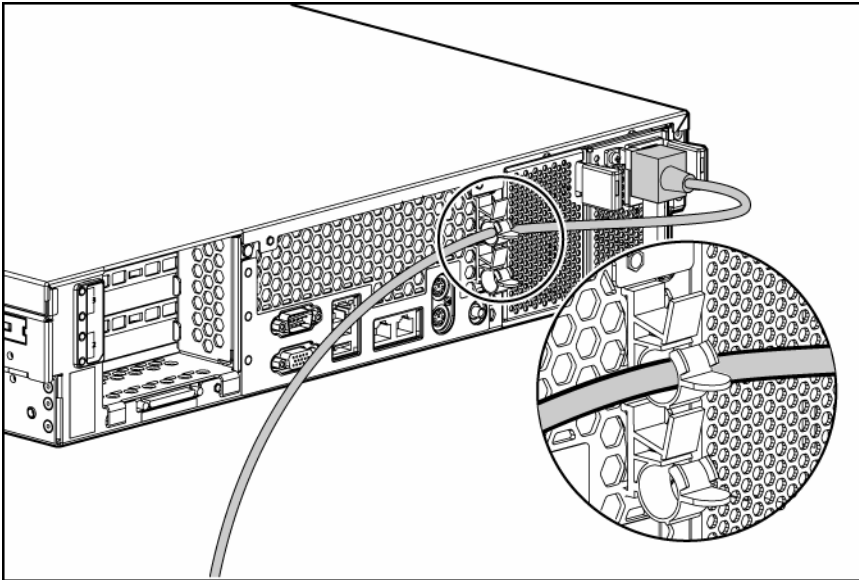
Item	Description	Color
1	<ul style="list-style-type: none"> <li>Hot-plug or non-hot-plug PCI-X expansion slot 3, 64 bit/100 MHz, bus B</li> <li>PCI Express x4 slot 2, bus B*</li> </ul>	N/A
2	<ul style="list-style-type: none"> <li>Hot-plug or non-hot-plug PCI-X expansion slot 2, 64 bit/100 MHz, bus B</li> <li>PCI Express x4 slot 1, bus A*</li> </ul>	N/A
3	Non-hot-plug PCI-X expansion slot 1, 64 bit/133 MHz, bus A	N/A
4	Serial connector	Teal
5	iLO connector	N/A
6	Mouse connector	Green
7	Power cord connector	N/A
8	Keyboard connector	Purple
9	NIC 1 connector	N/A
10	NIC 2 connector	N/A
11	USB connectors	Black
12	Video connector	Blue
13	VHDCI SCSI connector (port 1)**	N/A


\* x8 PCI Express cards are supported on the SCSI models and will run at x4 speeds. SAS models do not support PCI Express cards.


\*\*This feature applies only to SCSI models.

**3.** Connect the power cord to the rear of the server.


4. If you chose not to install the cable management arm, install the power cord anchor to the server.

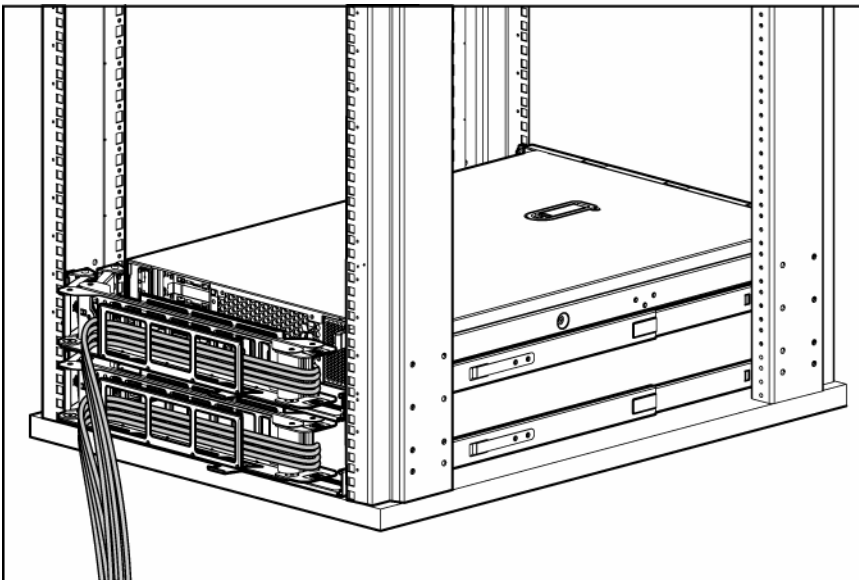


 **NOTE:** Peripheral device cables are removed for clarity.

 **NOTE:** If using the power cord anchor, be sure to leave enough slack in the power cord so that the redundant power supply can be removed without disconnecting the power cord from the primary power supply.

5. Secure cables to the cable management arm.

 **IMPORTANT:** When using cable management arm components, be sure to leave enough slack in each of the cables to prevent damage to the cables when the server is extended from the rack.



6. Connect the power cord to the AC power source.

 **WARNING:** To reduce the risk of electric shock or damage to the equipment:

- **Do not disable the power cord grounding plug. The grounding plug is an important safety feature.**
- **Plug the power cord into a grounded (earthed) electrical outlet that is easily accessible at all times.**
- **Unplug the power cord from the power supply to disconnect power to the equipment.**
- **Do not route the power cord where it can be walked on or pinched by items placed against it. Pay particular attention to the plug, electrical outlet, and the point where the cord extends from the server.**

## Installing the operating system

To operate properly, the server must have a supported operating system. For the latest information on supported operating systems, refer to the HP website (<http://www.hp.com/go/supportos>).

Two methods are available to install an operating system on the server:

- SmartStart assisted installation—Insert the SmartStart CD into the CD-ROM drive and reboot the server.
- Manual installation—Insert the operating system CD into the CD-ROM drive and reboot the server. This process may require you to obtain additional drivers from the HP website (<http://www.hp.com/support>).

Follow the on-screen instructions to begin the installation process.

For information on using these installation paths, refer to the SmartStart installation poster in the HP ProLiant Essentials Foundation Pack, included with the server.

## Powering up and configuring the server

To power up the server, press the Power On/Standby button.

While the server boots, RBSU and the ORCA utility are automatically configured to prepare the server for operating system installation.

To configure these utilities manually:

- Press the **F8** key when prompted during the array controller initialization to configure the array controller using ORCA.
- Press the **F9** key when prompted during the boot process to change the server settings using RBSU. The system is set up by default for the English language.

For more information on the automatic configuration, refer to the *HP ROM-Based Setup Utility User Guide* located on the Documentation CD.

## Registering the server

To register the server, refer to the HP Registration website (<http://register.hp.com>).

---

# Hardware options installation


## In this section

Introduction .....	38
Processor option.....	38
Memory options.....	41
Hot-plug SCSI hard drive options .....	43
Hot-plug SAS hard drive options .....	46
Installing a diskette drive.....	48
Hot-plug tape drive option.....	49
Redundant hot-plug fans.....	50
Battery-backed write cache option.....	54
Redundant hot-plug AC power supply option.....	55
PCI riser cage options.....	56
Expansion board options .....	58

## Introduction

If more than one option is being installed, read the installation instructions for all the hardware options and identify similar steps to streamline the installation process.


 **WARNING:** To reduce the risk of personal injury from hot surfaces, allow the drives and the internal system components to cool before touching them.


 **CAUTION:** To prevent damage to electrical components, properly ground the server before beginning any installation procedure. Improper grounding can cause electrostatic discharge.

## Processor option


The server supports single- and dual-processor operation. With two processors installed, the server supports boot functions through the processor installed in processor socket 1. However, if processor 1 fails, the system will attempt to boot from processor 2 and provide a processor failure message.


The server uses PPMs to provide power to each processor. The corresponding PPM must be installed for each processor or the system cannot boot.

 **CAUTION:** To prevent thermal instability and damage to the server, do not separate the processor from the heatsink. The processor, heatsink, and retaining clip make up a single assembly.

 **CAUTION:** To prevent possible server malfunction and damage to the equipment, do not mix single- and dual-core processors or processors with different speeds or cache sizes.

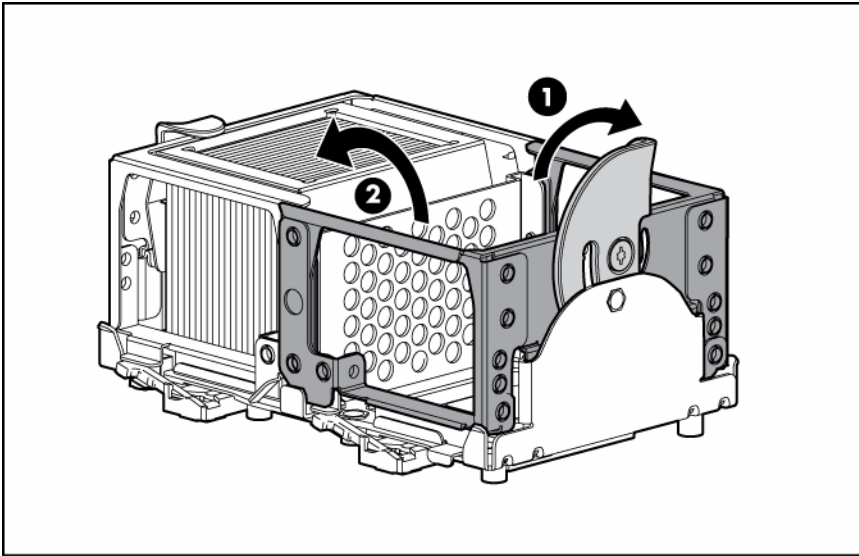
 **IMPORTANT:** If upgrading processor speed, update the system ROM before installing the processor.

 **IMPORTANT:** Processor socket 1 and PPM slot 1 must be populated at all times or the server does not function properly.


 **IMPORTANT:** Always install a PPM when you install a processor. The system fails to boot if the corresponding PPM is missing.

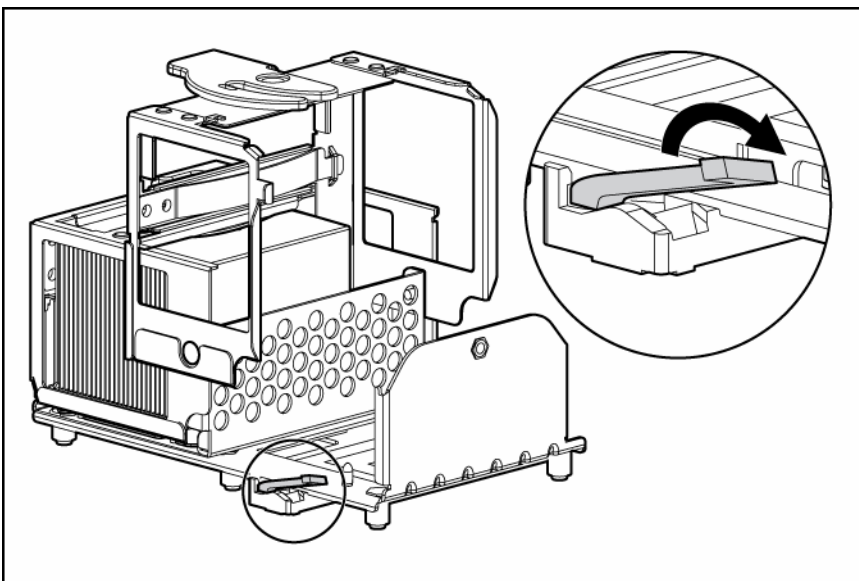
To install a processor:

1. Power down the server (on page 27).
2. Extend the server from the rack, if applicable ("[Extend the server from the rack](#)" on page 28).
3. Remove the access panel ("[Removing the access panel](#)" on page 29).
4. Remove the processor air baffle, if applicable.
5. If an optional redundant fan is located next to the processor, remove the fan.
6. Open the processor retaining bracket.



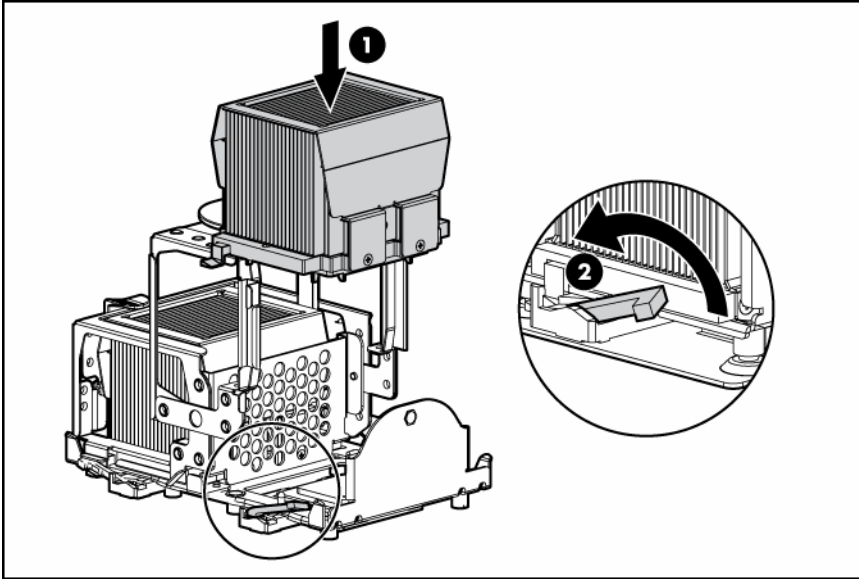
7. Release the processor locking lever.

 **CAUTION:** Failure to completely open the processor locking lever prevents the processor from seating during installation, leading to hardware damage.

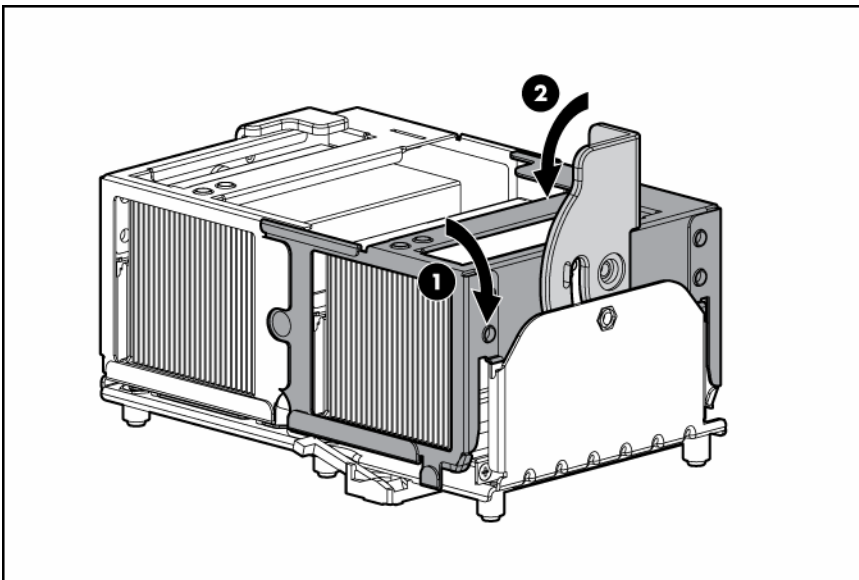


8. Install the processor.

**⚠ CAUTION:** To prevent possible server malfunction or damage to the equipment, be sure to completely close the processor locking lever.



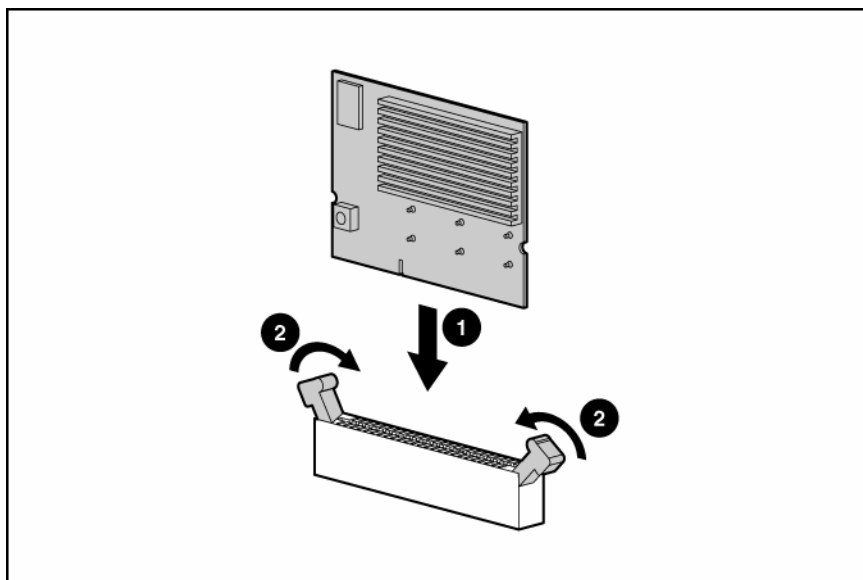
**9.** Close the processor retaining bracket.





**10.** Open the latches on the corresponding PPM slot.



## 11. Install the PPM.



 **NOTE:** The appearance of compatible PPMs may vary.


 **NOTE:** The PPM is keyed and the key must be aligned when installed.

12. Install the fan ("[Installing redundant hot-plug fans](#)" on page 52).
13. Install the access panel ("[Installing the access panel](#)" on page 29).

## Memory options

You can expand server memory by installing PC2-3200 Registered DDR-2 SDRAM DIMMs. The server supports up to six DIMMs.

PC2-3200 DIMMs can either be single-rank or dual-rank. While it is not normally important for you to differentiate between these two types of DIMMs, certain DIMM configuration requirements are based on these classifications. Certain configuration requirements exist with single-rank and dual-rank DIMMs that allow the architecture to optimize performance. A dual-rank DIMM is similar to having two separate DIMMs on the same module. Although only a single DIMM module, a dual-rank DIMM acts as if it were two separate DIMMs. The primary reason for the existence of dual-rank DIMMs is to provide the largest capacity DIMM given the current DIMM technology. If the maximum DIMM technology allows for creating 2-GB single-rank DIMMs, a dual-rank DIMM using the same technology would be 4-GB. Understanding the existence of single-rank and dual-rank DIMMs is all that is necessary for understanding the memory population guidelines of this server.

 **NOTE:** The Advanced Memory Protection option in RBSU provides additional memory protection beyond Advanced ECC. By default, the server is set to **Advanced ECC Support**. Refer to "ROM-Based Setup Utility ("[HP ROM-Based Setup Utility](#)" on page 80)," on the Documentation CD, for more information.

The server supports two types of memory configurations with single-rank memory DIMMs:

- Standard memory configuration for maximum performance with up to 12 GB of active memory (six 2-GB single rank memory modules)
- Online spare memory configuration for maximum availability with up to 8 GB of active memory and 4 GB of online spare memory

The server only supports Advanced ECC with dual-rank DIMMs installed. Online Spare is not supported by dual-rank DIMMs. Early DL380G4 ROMs do not support dual-rank DIMMs. Be sure you upgrade your ROM before installing dual-rank DIMMs.

- Standard memory configuration for maximum performance with up to 8 GB of active memory (four 2-GB dual-rank memory DIMMs)

For more information on single-rank and dual-rank DIMM configurations, see "DIMM Configuration Requirements (on page 42)."

## DIMM configuration requirements

The following configuration requirements apply to single-rank and dual-rank DIMMs:

- Install only PC2-3200 Registered DDR-2 SDRAM DIMMs, 1.8 volts, 72 bits wide, and ECC.
- DIMMs must be installed in pairs.
- DIMM pairs in a memory bank must have the same HP part numbers.
- Always populate the DIMMs in sequential order per bank: Bank A, Bank B, and then Bank C.
- Dual-rank DIMMs must be populated before single-rank DIMMs (see table below).
- If dual-rank DIMMs are installed in Bank A and Bank B, no additional DIMMs may be installed in Bank C (see table below).
- The following table lists all seven (7) valid combinations of single-rank and dual-rank DIMM configurations. "Single" indicates a bank of single-rank DIMMs. "Dual" indicates a bank of dual-rank DIMMs. An invalid configuration will result in all DIMM failure LEDs lit and the system will hang. If dual-rank DIMMs are installed, online spare memory is not supported. Note that a bank contains 2 DIMMs.

Configuration	Bank A	Bank B	Bank C	Notes
1	Single	Single		
2	Single			
3	Single	Single	Single	
4	Dual			Online Spare not supported
5	Dual	Single		Online Spare not supported
6	Dual	Single	Single	Online Spare not supported
7	Dual	Dual		Online Spare not supported

- The memory configurations, including Advanced ECC or Online Spare, can be configured in RBSU. RBSU displays a warning message if the selected AMP mode is not supported by the current configuration. However, if the DIMM configuration at POST does not meet the requirements for the AMP mode selected in RBSU, the server defaults to Advanced ECC. The system indicates this by displaying a message during POST.
- If your server contains more than 4 GB of memory, consult your operating system documentation about accessing the full amount of installed memory.

## Online spare memory configuration

In the online spare configuration, the ROM automatically configures the last populated bank as the spare memory. If only banks A and B are populated, bank B is the spare bank. If banks A, B, and C are populated, bank C is the spare bank. If DIMMs in a non-spare bank exceed the limit for the single-bit

correctable errors threshold as defined by the Pre-Failure Warranty, the system copies the memory contents of the failing bank to the spare bank. The system then deactivates the failing bank and automatically switches over to the spare bank.

For online spare memory support, you must observe the following guidelines:

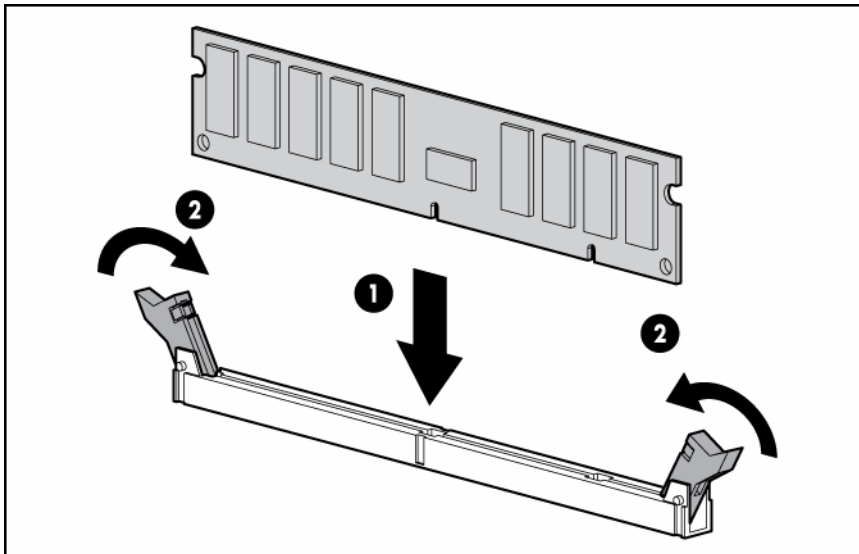
- Dual-rank DIMMs can not be installed in any DIMM socket with online spare memory enabled.
- The ROM must be up to date.
- DIMMs installed in a spare bank must be of equal or greater capacity than the DIMMs installed in other banks.

For example, if bank A is populated with two 256-MB DIMMs and bank B is populated with two 512-MB DIMMs, bank C must be populated with two 512-MB or greater DIMMs in order for online spare memory support to function properly.

After installing DIMMs, use RBSU to configure the system for online spare memory support ("[Configuring online spare memory](#)" on page 81).

## Installing DIMMs

1. Power down the server (on page 27).
2. Extend the server from the rack, if applicable ("[Extend the server from the rack](#)" on page 28).
3. Remove the access panel ("[Removing the access panel](#)" on page 29).
4. Open the DIMM slot latches.
5. Install the DIMM.



6. Install the access panel ("[Installing the access panel](#)" on page 29).
7. If you are installing DIMMs in an online spare configuration, use RBSU to configure this feature ("[Configuring online spare memory](#)" on page 81).

## Hot-plug SCSI hard drive options

When adding SCSI hard drives to the server, observe the following general guidelines:

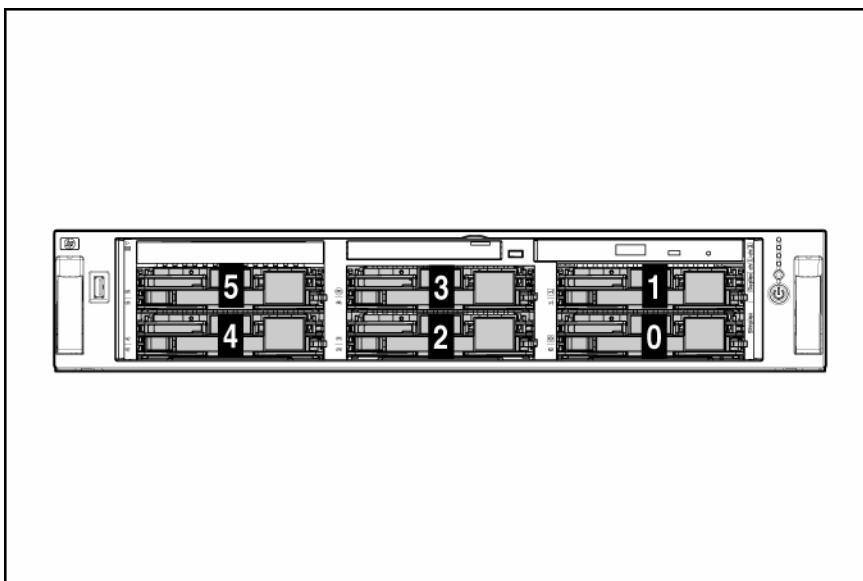
- A maximum of 14 SCSI devices per channel can be added.
- Each SCSI drive must have a unique ID. The system automatically sets all SCSI IDs.

- The SCSI ID for each hot-plug hard drive is set automatically to the next sequential ID number in a series beginning with ID0.
- If only one SCSI hard drive is used, install it in the bay with the lowest number.
- Hot-plug hard drives must be either Wide Ultra2, Ultra3, or Ultra320 SCSI types. Mixing these types with other drive standards degrades the overall performance of the drive subsystem.
- Drives must be the same capacity to provide the greatest storage space efficiency when drives are grouped together into the same drive array.

## SCSI IDs

The server supports single- or dual-channel hard drive configurations. The single-channel configuration (simplex) supports up to six hard drives on one channel. The dual-channel configuration (duplex) supports two hard drives on one channel (SCSI IDs 0 and 1) and up to four hard drives on the other channel (SCSI IDs 2 through 5).

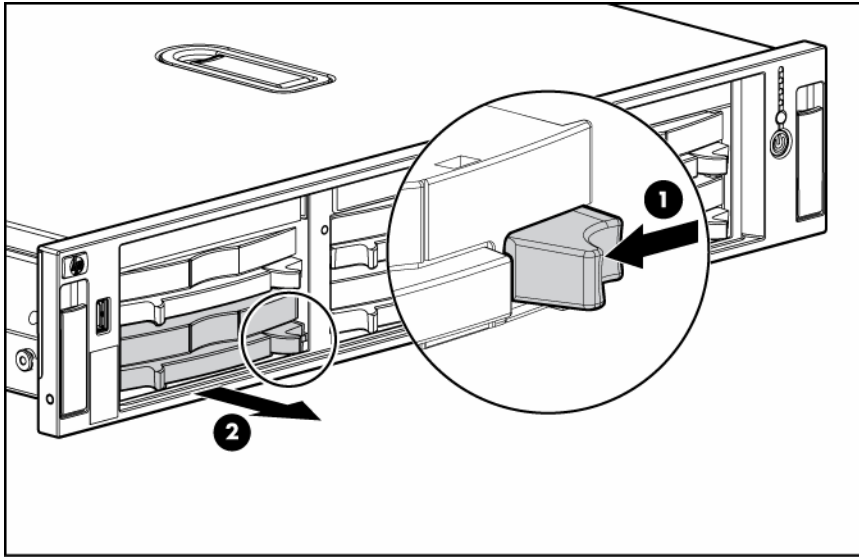
The SCSI IDs for both simplex and duplex configurations are illustrated. Always populate hard drive bays starting with the lowest SCSI ID.



## Removing a SCSI hard drive blank

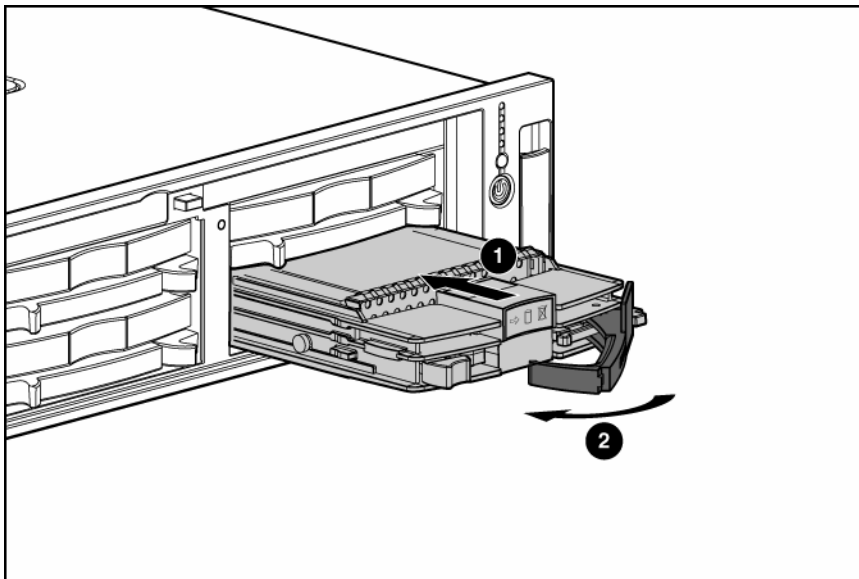
**CAUTION:** To prevent improper cooling and thermal damage, do not operate the server unless all bays are populated with either a component or a blank.

 **NOTE:** The server ships standard with five hard drive blanks.




## Installing a hot-plug SCSI hard drive

1. Remove the existing hard drive blank or hard drive from the drive bay ("[Removing a hot-plug SCSI hard drive](#)" on page 45).
2. Install the hard drive.



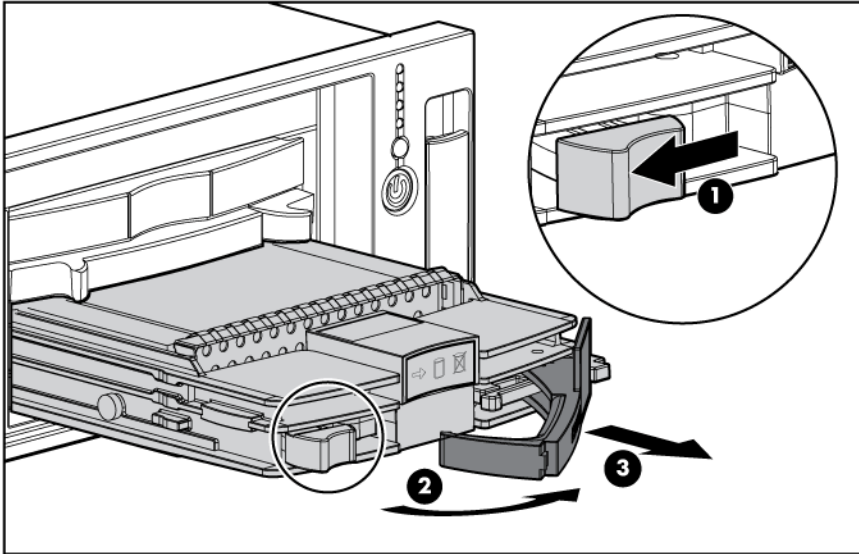
3. Determine the status of the hard drive from the hot-plug hard drive LEDs ("[Hot-plug SCSI hard drive LEDs](#)" on page 18).
4. Resume normal server operations.

## Removing a hot-plug SCSI hard drive

 **CAUTION:** To prevent improper cooling and thermal damage, do not operate the server unless all bays are populated with either a component or a blank.

1. Determine the status of the hard drive from the hot-plug hard drive LEDs ("[Hot-plug SCSI hard drive LEDs](#)" on page 18).

2. Back up all server data on the hard drive.
3. Remove the hard drive.

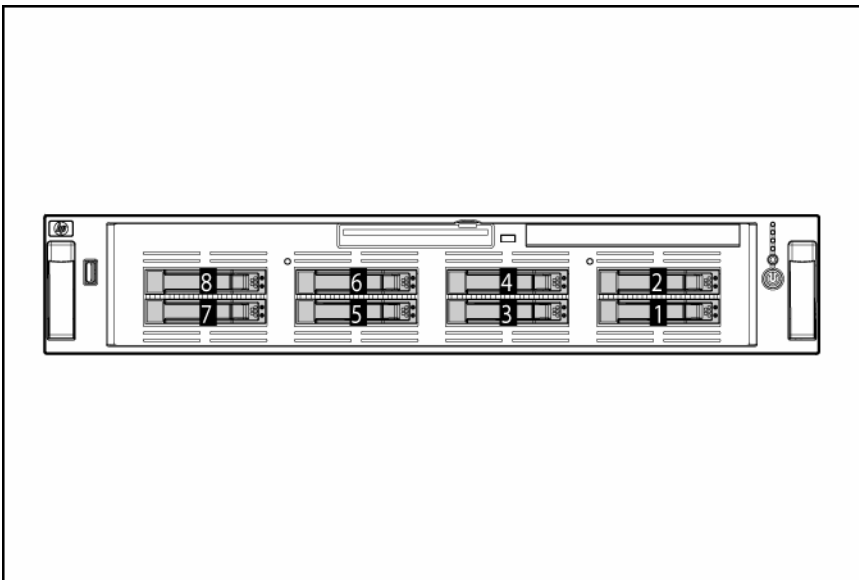


## Hot-plug SAS hard drive options

When adding hard drives to the server, observe the following general guidelines:

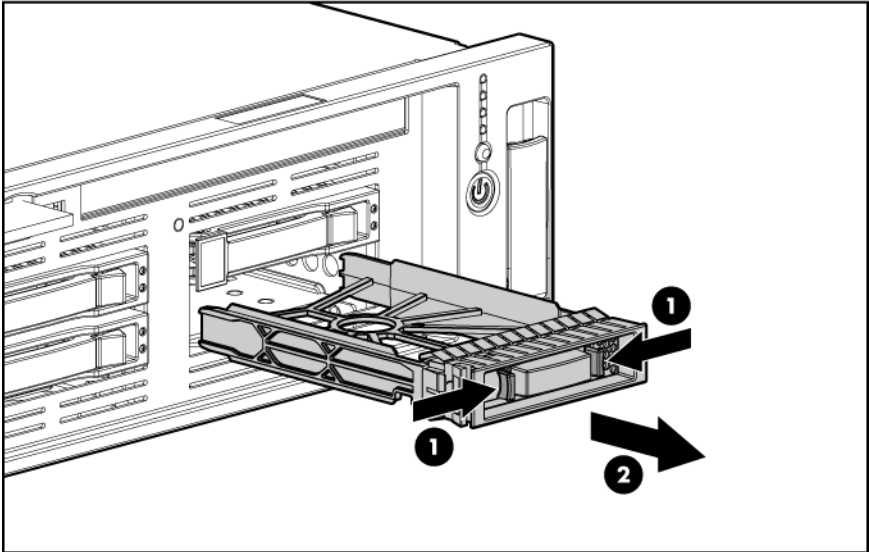
- The system automatically sets all device numbers.
- If only one hard drive is used, install it in the bay with the lowest device number.
- Hard drives must be SFF types.
- Drives should be the same capacity to provide the greatest storage space efficiency when drives are grouped together into the same drive array.

## SAS drive numbers

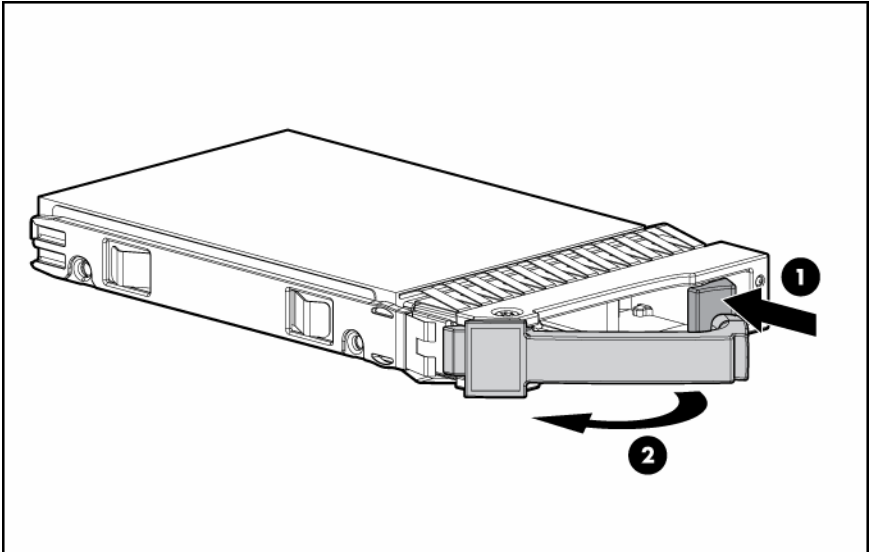


# Installing a hot-plug SAS hard drive

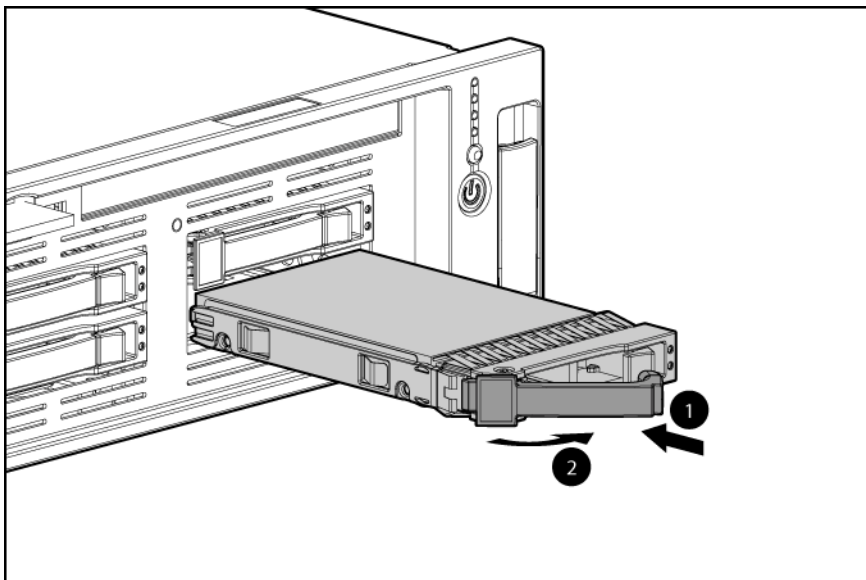
- 1. Remove the SAS hard drive blank.



- 2. Prepare the SAS hard drive.



3. Install the hard drive.

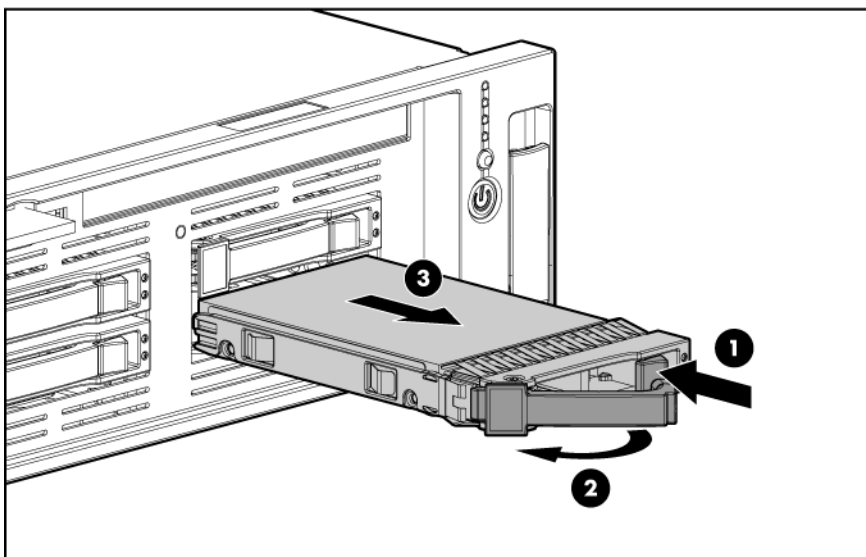


4. Determine the status of the hard drive from the hot-plug SAS hard drive LED combinations (on page 20).

## Removing a hot-plug SAS hard drive

**CAUTION:** To prevent improper cooling and thermal damage, do not operate the server unless all bays are populated with either a component or a blank.

1. Determine the status of the hard drive from the hot-plug SAS hard drive LED combinations (on page 20).
2. Back up all server data on the hard drive.
3. Remove the hard drive.

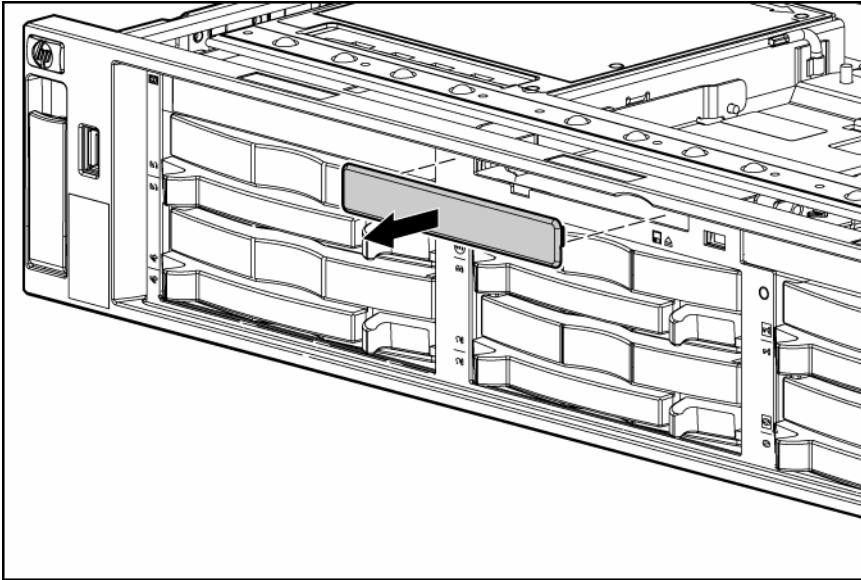


## Installing a diskette drive

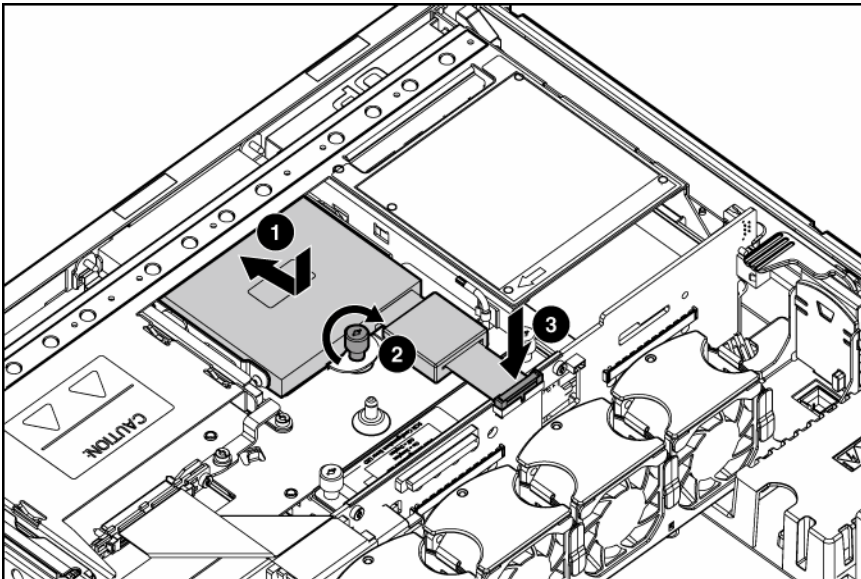
**NOTE:** This procedure shows images of the SCSI model server, but it also applies to the SAS model server.



1. Power down the server (on page 27).
2. Extend the server from the rack, if applicable ("Extend the server from the rack" on page 28).
3. Remove the access panel ("Removing the access panel" on page 29).
4. Remove the protective cover on the server bezel from the front of the diskette drive bay.



5. Slide the diskette drive into the diskette drive bay.
6. Tighten the thumbscrew.
7. Secure the diskette drive cable to the diskette drive cable connector on the SCSI backplane or the SAS backplane.

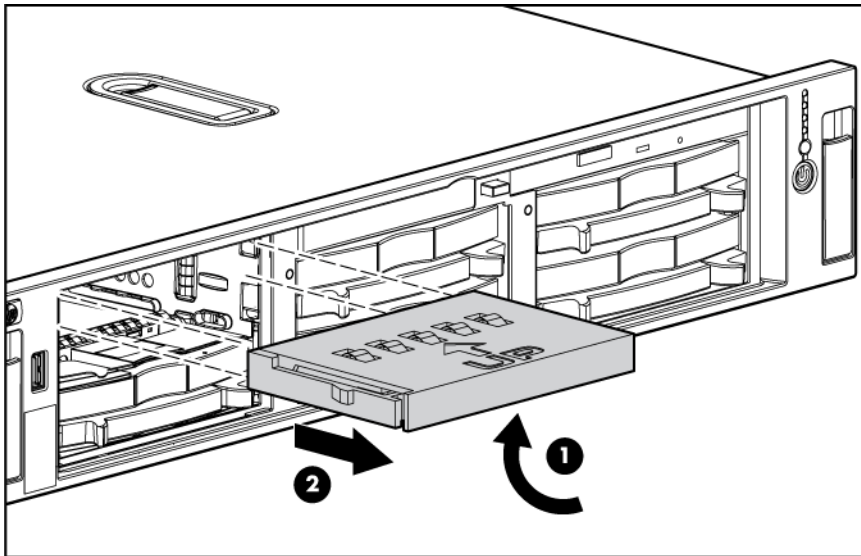


## Hot-plug tape drive option

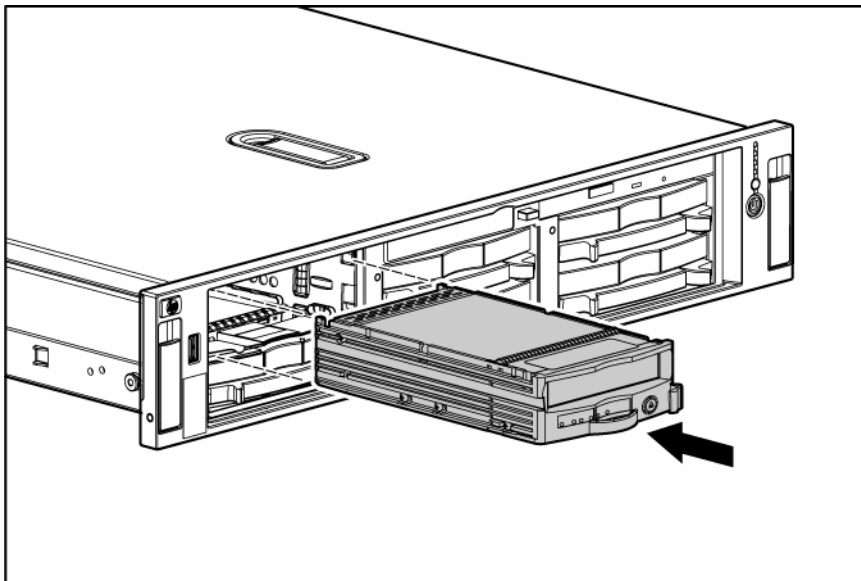
 **NOTE:** This feature applies only to SCSI models.

1. Remove the existing hard drive blank or hard drive from the upper-left drive bay ("Removing a hot-plug SCSI hard drive" on page 45).

2. Reach underneath and squeeze the middle of the tape drive blank (1).
3. Pull the blank out of the bay (2).



4. Install the tape drive.



## Redundant hot-plug fans

 **NOTE:** This procedure shows images of the SCSI model server, but it also applies to the SAS model server.

In the standard configuration, five fans cool the server: fans 2, 4, 5, 6, and 7.

For the redundant configuration, fans 1, 3, and 8 are added to cool the server. This allows the server to continue operation in non-redundant mode if any one fan fails.

The server supports variable fan speeds to allow the speed of all fans to increase if the temperature in any area increases. The fans will run at minimum speed until a temperature change requires a fan speed increase to cool the server.

The server shuts down in the following scenarios:

- At POST:

- The BIOS suspends the server for 5 minutes if it detects a cautionary temperature level. If the cautionary temperature level is still detected after 5 minutes, the BIOS performs an orderly shutdown and then restarts. This process repeats until the cautionary temperature level is no longer detected.
- The BIOS performs an orderly shutdown if the following minimum requirements are not met: a minimum of five fans in the standard configuration or seven fans in the redundant configuration.
- The server performs an immediate shutdown if it detects a critical temperature level.



**IMPORTANT:** An immediate shutdown is a hardware-controlled function and it overrides any firmware or software actions.

- In the operating system:
  - With the Health Driver loaded and Thermal Shutdown enabled in RBSU, the Health Driver performs an orderly shutdown if it detects a cautionary temperature level. If the server detects a critical temperature level before the orderly shutdown occurs, the server performs an immediate shutdown. Additionally, the Health Driver performs an orderly shutdown if the following minimum requirements are not met: a minimum of five fans in the standard configuration or seven fans in the redundant configuration.
  - With the Health Driver loaded and Thermal Shutdown disabled in RBSU, the server performs an immediate shutdown if it detects a critical temperature level.
  - Without the Health Driver loaded, the server performs an immediate shutdown if it detects a critical temperature level.



**IMPORTANT:** An immediate shutdown is a hardware-controlled function and it overrides any firmware or software actions.

## Installation requirements



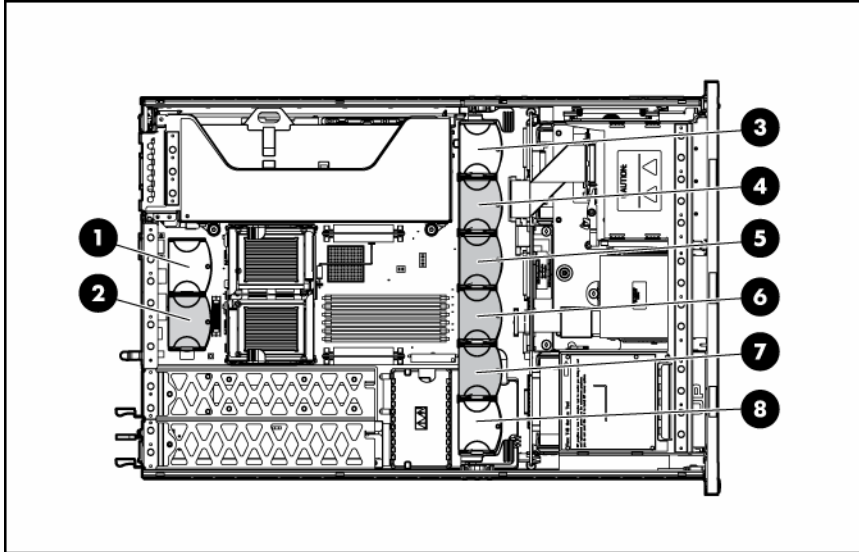
**WARNING:** To reduce the risk of electric shock, personal injury, and damage to the equipment:

- **Do not attempt to service any parts of the equipment other than those specified in the following procedure. Any other activities may require that you shut down the server and remove the power cord.**
- **Installation and maintenance of this product must be performed by individuals who are knowledgeable about the procedures, precautions and hazards associated with the product.**

You must observe the following requirements when installing redundant hot-plug fans:

- To ensure optimum cooling, populate the primary fan locations, 2, 4, 5, 6, and 7, before populating the redundant locations.
- If a primary fan fails, replace the nonfunctioning fan before installing fans in redundant locations.

## Identifying hot-plug fans



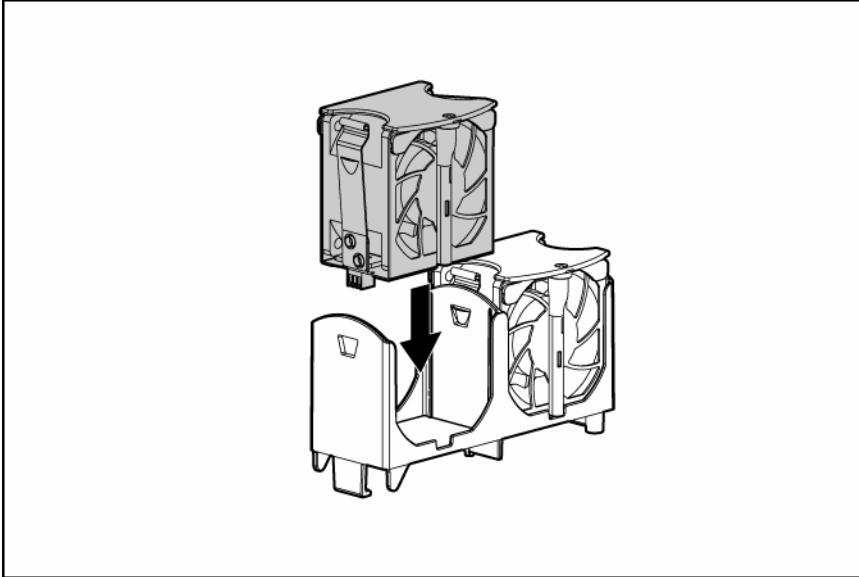
Item	Description	Configuration
1	Fan 1	Redundant
2	Fan 2	Primary
3	Fan 3	Redundant
4	Fan 4	Primary
5	Fan 5	Primary
6	Fan 6	Primary
7	Fan 7	Primary
8	Fan 8	Redundant

## Installing redundant hot-plug fans

1. Extend the server from the rack, if applicable ("Extend the server from the rack" on page 28).
2. Remove the access panel ("Removing the access panel" on page 29).

**⚠ WARNING: The potential for personal injury exists if a hot surface is contacted. Use caution while performing hot-plug procedures.**

3. Install the fan.

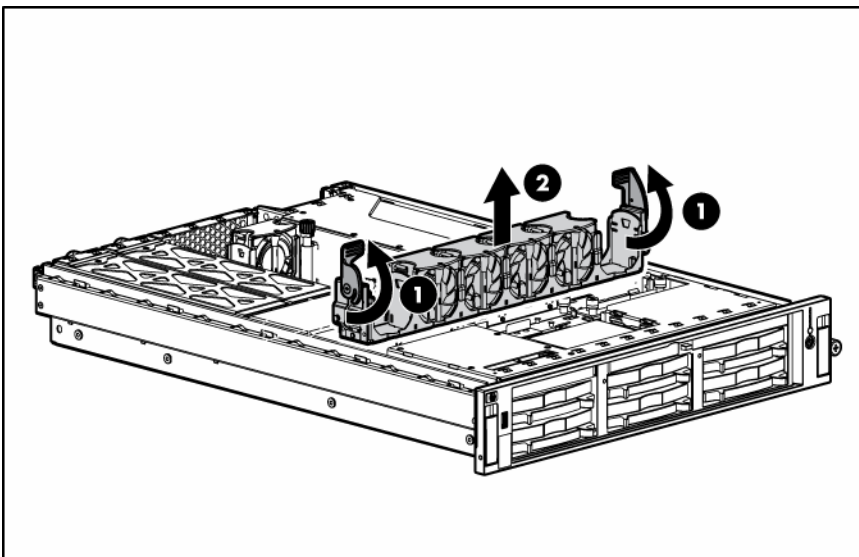


4. Be sure that the fan LED is green ("[Hot-plug fan LED](#)" on page 24).
5. Install the access panel ("[Installing the access panel](#)" on page 29).
6. Be sure that the front panel internal health LED is green ("[Front panel LEDs and buttons](#)" on page 9).

## Front fan bracket

To remove the component:

1. Power down the server (on page 27).
2. Extend or remove the server from the rack ("[Extend the server from the rack](#)" on page 28).
3. Remove the access panel ("[Removing the access panel](#)" on page 29).
4. Remove the front fan bracket.



5. Remove all hot-plug fans from the front fan bracket.


To replace the front fan bracket, reverse the removal steps and press down on the top of each fan to be sure it is seated properly.


# Battery-backed write cache option


 **NOTE:** This feature applies only to SCSI models.


Along with the cache module, the battery pack provides transportable data protection, increases overall controller performance, and maintains any cached data for up to 72 hours. The NiMH batteries in the battery pack are continuously recharged through a trickle-charging process whenever the system power is on.

For information on BBWC LEDs, refer to "Battery-backed write cache LEDs (on page 25)" and "Battery-backed write cache LED statuses (on page 26)."

 **CAUTION:** To prevent a server malfunction or damage to the equipment, do not add or remove the battery pack while an array capacity expansion, RAID level migration, or stripe size migration is in progress.

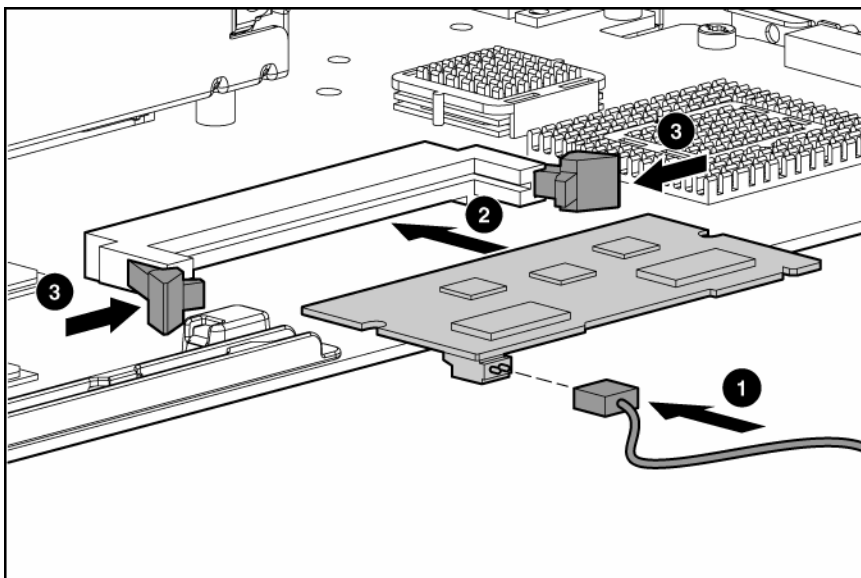
 **CAUTION:** After the server is powered down, wait 15 seconds and then check the amber LED before unplugging the cable from the cache module. If the amber LED blinks after 15 seconds, do not remove the cable from the cache module. The cache module is backing up data, and data is lost if the cable is detached.

 **IMPORTANT:** The battery pack might have a low charge when installed. In this case, a POST error message is displayed when the server is powered up, indicating that the battery pack is temporarily disabled. No action is necessary on your part. The internal circuitry automatically recharges the batteries and enables the battery pack. This process might take up to four hours. During this time, the cache module functions properly, but without the performance advantage of the battery pack.

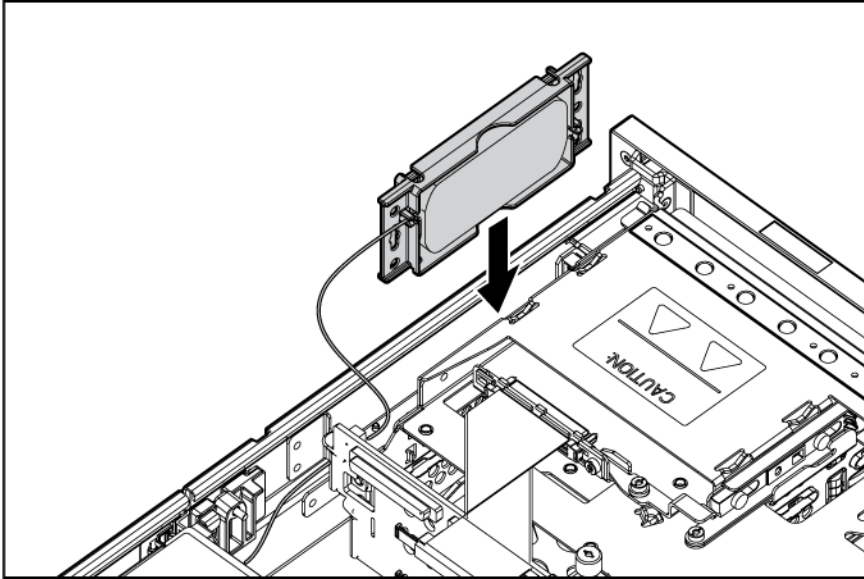
 **NOTE:** The data protection and the time limit also apply if a power outage occurs. When power is restored to the system, an initialization process writes the preserved data to the hard drives.

To install the BBWC:

1. Power down the server (on page 27).
2. Extend the server from the rack, if applicable ("Extend the server from the rack" on page 28).
3. Remove the access panel ("Removing the access panel" on page 29).
4. Remove the front fan bracket ("Front fan bracket" on page 53).
5. Remove the PCI riser cage ("Removing the PCI riser cage" on page 57).
6. Connect the cable to the cache module and install the cache module.



7. Route the cable along the system board.
8. Install the battery pack assembly into the server.



9. Install the PCI riser cage ("[Installing the PCI riser cage](#)" on page 56).
10. Install the front fan bracket ("[Front fan bracket](#)" on page 53).
11. Install the access panel ("[Installing the access panel](#)" on page 29).
12. Power up the server (on page 27).

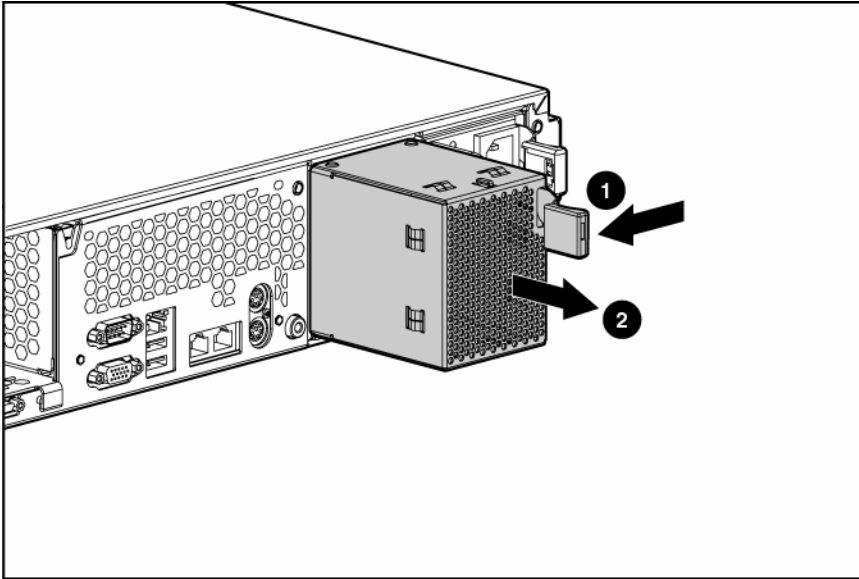
Refer to the option documentation for more information.

## Redundant hot-plug AC power supply option

**△ CAUTION:** To prevent improper cooling and thermal damage, do not operate the server unless all bays are populated with either a component or a blank.

1. Access the product rear panel (on page 30).
2. Remove the power supply blank.

**⚠ WARNING:** To reduce the risk of personal injury from hot surfaces, allow the power supply or power supply blank to cool before touching it.



3. Slide the power supply into the power supply bay.
4. Connect the power cord to the power supply.
5. Route the power cord through the cable management arm or power cord anchor.



**NOTE:** If using the power cord anchor, be sure to leave enough slack in the power cord so that the redundant power supply can be removed without disconnecting the power cord from the primary power supply.

6. Reposition the cable management arm into the operating position.
7. Connect the power cord to the power source.
8. Be sure that the power supply LED is green ("[Rear panel LEDs and buttons](#)" on page 11).
9. Be sure that the front panel external health LED is green ("[Front panel LEDs and buttons](#)" on page 9).

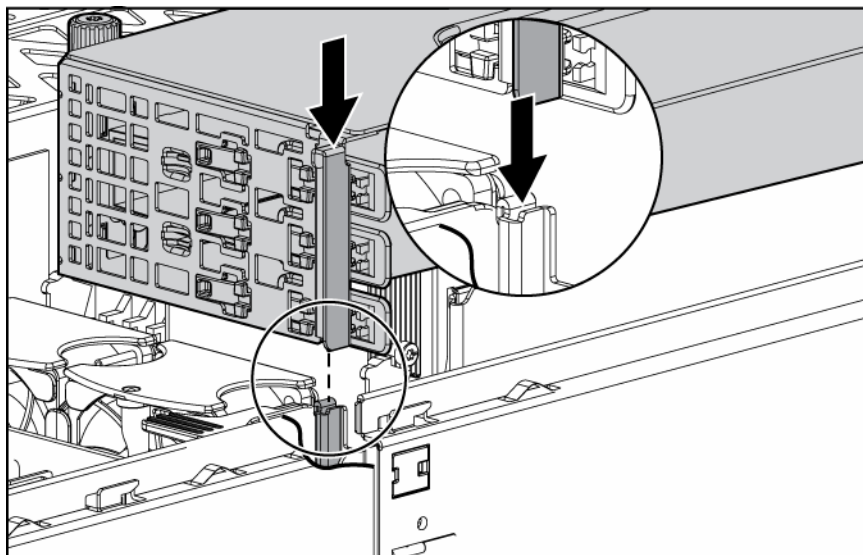
## PCI riser cage options

### Installing the PCI riser cage

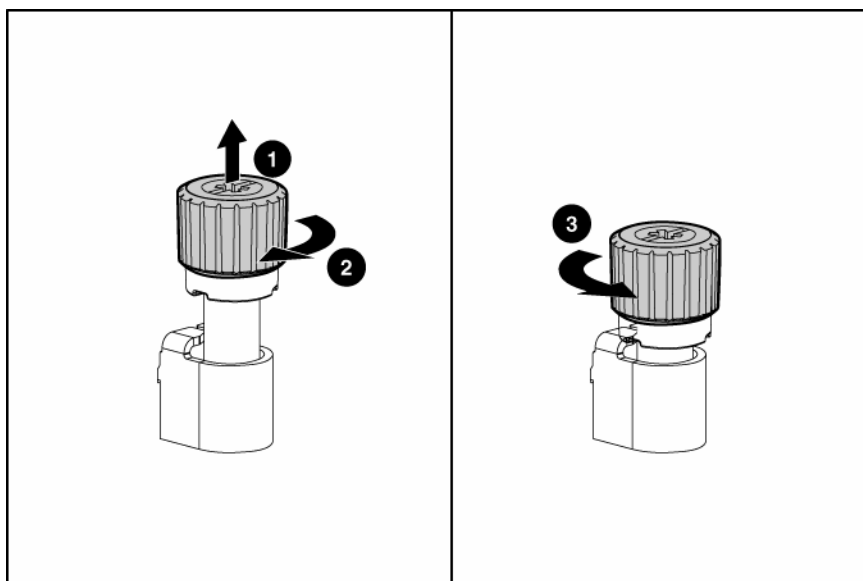
**⚠ CAUTION:** To prevent damage to the server or expansion boards, power down the server and remove all AC power cords before removing or installing the PCI riser cage.



1. Align the PCI riser cage with the chassis and slide it into place.



2. Tighten the thumbscrews to secure the PCI riser cage:
  - a. Lift the thumbscrew knobs (1).
  - b. Turn the thumbscrews clockwise while pressing down, until tightened (2).
  - c. Turn the thumbscrews counterclockwise to lower thumbscrew knobs (3).

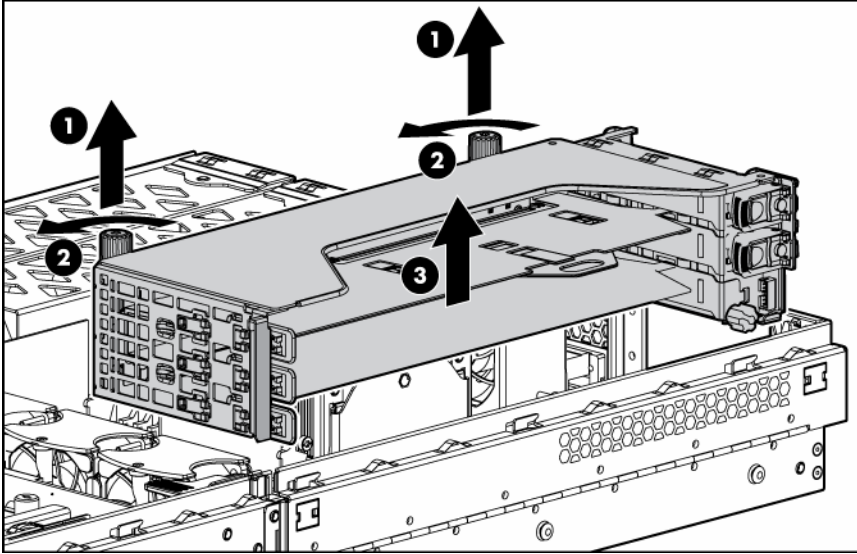


## Removing the PCI riser cage

**△ CAUTION:** To prevent damage to the server or expansion boards, power down the server and remove all AC power cords before removing or installing the PCI riser cage.

1. Power down the server (on page 27).
2. Extend the server from the rack, if applicable ("[Extend the server from the rack](#)" on page 28).
3. Remove the access panel ("[Removing the access panel](#)" on page 29).
4. Disconnect any internal or external cables connected to any existing expansion boards.
5. Lift the PCI riser cage thumbscrews and turn them counter-clockwise.

6. Remove the PCI riser cage.



## Expansion board options



**NOTE:** This procedure shows images of the SCSI model server, but it also applies to the SAS model server.

The server supports PCI, PCI-X, and PCI Express expansion boards. PCI hot-plug capability is available on some expansion slots.



**NOTE:** PCI Express applies only to SCSI models.

For instructions on installing a RILOE II board, refer to the *HP Remote Insight Lights-Out Edition II User Guide* on the Documentation CD.



**IMPORTANT:** It is recommended that the optional RILOE II board be installed in slot 1. If you plan to install a RILOE II board in the future, leave slot 1 unpopulated.

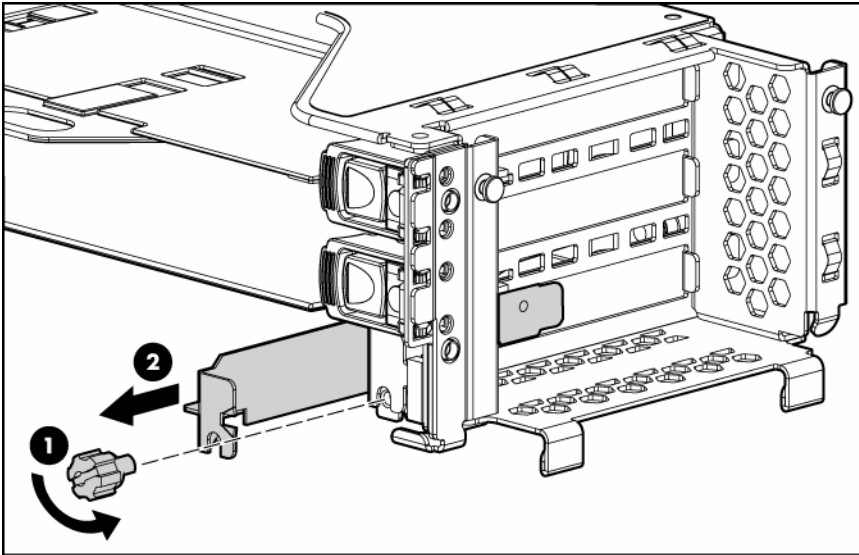
## Removing expansion slot cover 1

1. Power down the server (on page 27).
2. Extend or remove the server from the rack ("[Extend the server from the rack](#)" on page 28).
3. Remove the access panel ("[Removing the access panel](#)" on page 29).
4. Remove the PCI riser cage ("[Removing the PCI riser cage](#)" on page 57).



**CAUTION:** To prevent damage to the server or expansion boards, power down the server and remove all AC power cords before removing or installing the PCI riser cage.

5. Remove the expansion slot cover.

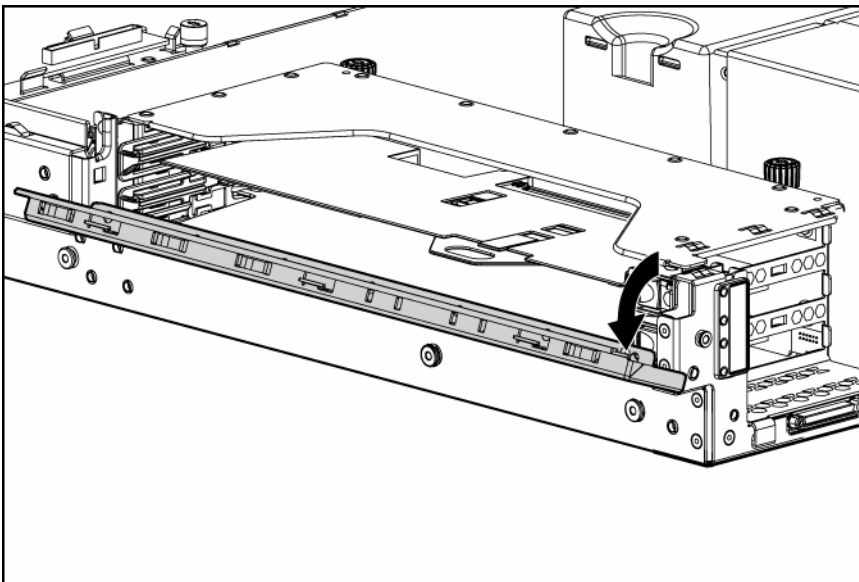


**CAUTION:** To prevent improper cooling and thermal damage, do not operate the server unless all PCI slots have either an expansion slot cover or an expansion board installed.

To replace the component, reverse the removal procedure.

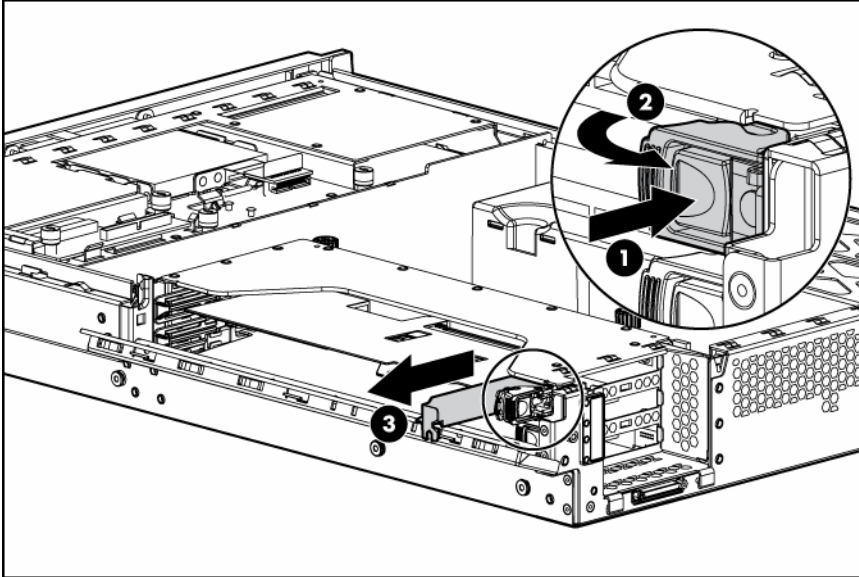
## Removing expansion slot covers 2 and 3

1. Extend or remove the server from the rack ("Extend the server from the rack" on page 28).
2. Remove the access panel ("Removing the access panel" on page 29).
3. Open the PCI riser cage door.



**CAUTION:** To prevent improper cooling and thermal damage, do not operate the server unless all PCI slots have either an expansion slot cover or an expansion board installed.

4. Remove the expansion slot cover.



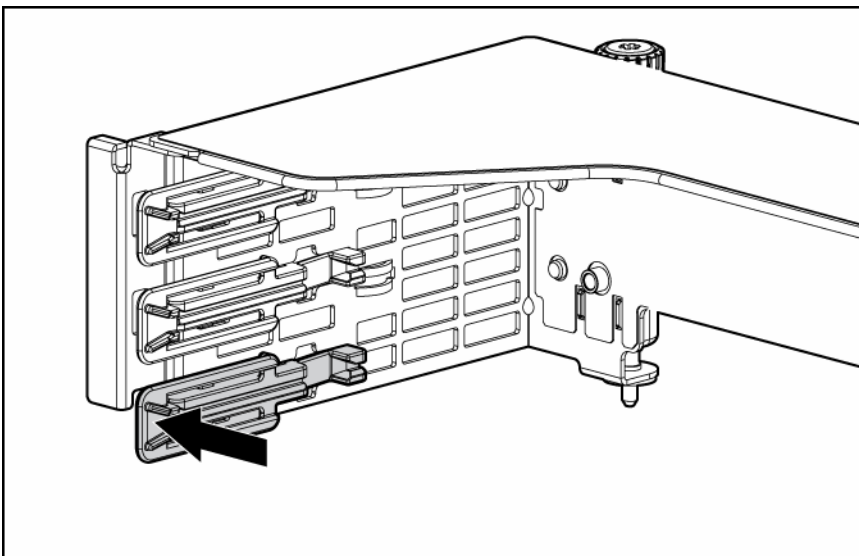
To replace the component, reverse the removal procedure.

## Installing a non-hot-plug expansion board

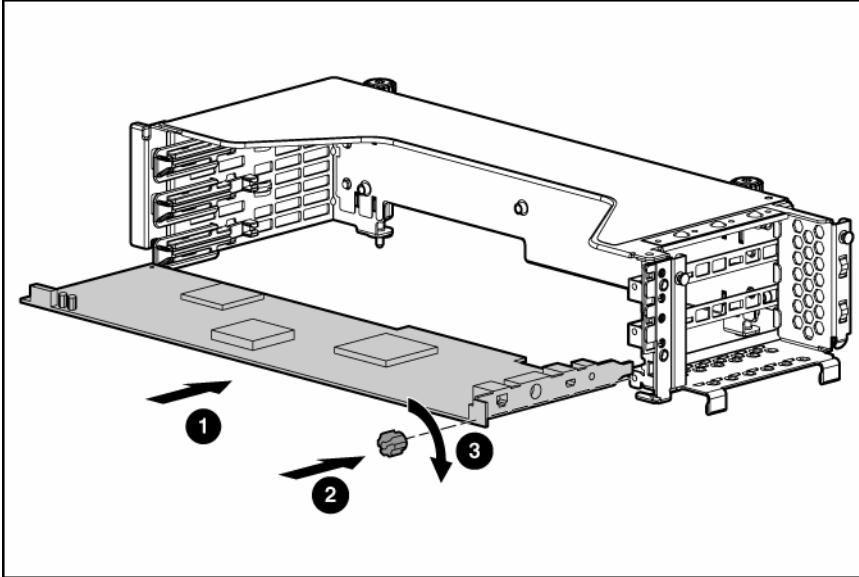
1. Power down the server (on page 27).
2. Extend the server from the rack, if applicable ("[Extend the server from the rack](#)" on page 28).
3. Remove the access panel ("[Removing the access panel](#)" on page 29).
4. Remove the PCI riser cage ("[Removing the PCI riser cage](#)" on page 57).

**⚠ CAUTION:** To prevent damage to the server or expansion boards, power down the server and remove all AC power cords before removing or installing the PCI riser cage.

5. Remove the expansion slot cover for expansion slot 1 ("[Removing expansion slot cover 1](#)" on page 58).
6. Unlock the PCI retaining clip.



7. Install the expansion board.



8. Lock the PCI retaining clip.
9. Install the PCI riser cage ("[Installing the PCI riser cage](#)" on page 56).
10. Connect any required internal or external cables to the expansion board. Refer to the documentation that ships with the expansion board.
11. Close the PCI riser cage door.
12. Install the access panel ("[Installing the access panel](#)" on page 29).

## Installing PCI hot plug expansion boards

The server supports PCI Hot Plug technology, which works together with the server operating system to allow replacement, addition, and upgrade of expansion boards without powering down the server.

The server must have all the following to be PCI Hot Plug-capable:

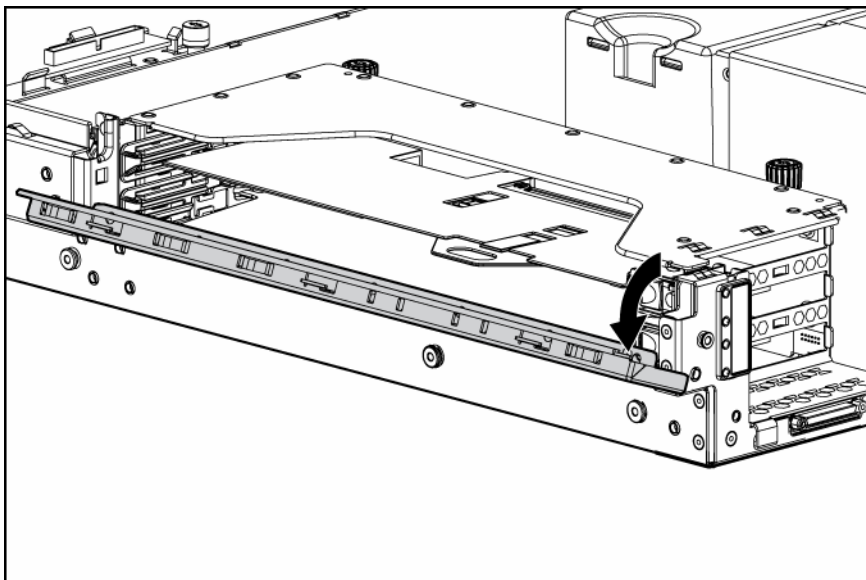
- PCI Hot Plug system hardware (available in this server)
- PCI Hot Plug device drivers installed from the SmartStart CD
- Operating system with PCI Hot Plug support

For more information, refer to the *PCI Hot Plug Administration Guide* on the Documentation CD.

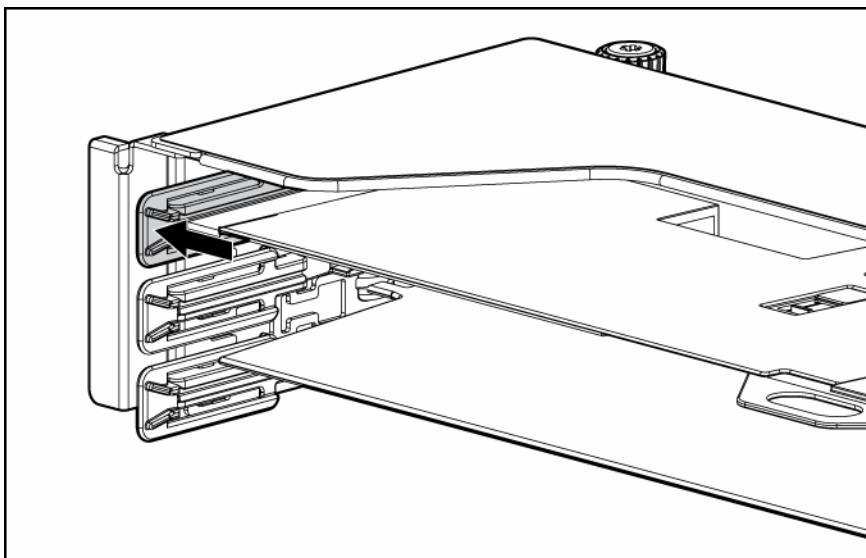
To install a hot-plug expansion board:

1. Extend the server from the rack, if applicable ("[Extend the server from the rack](#)" on page 28).
2. Remove the access panel ("[Removing the access panel](#)" on page 29).

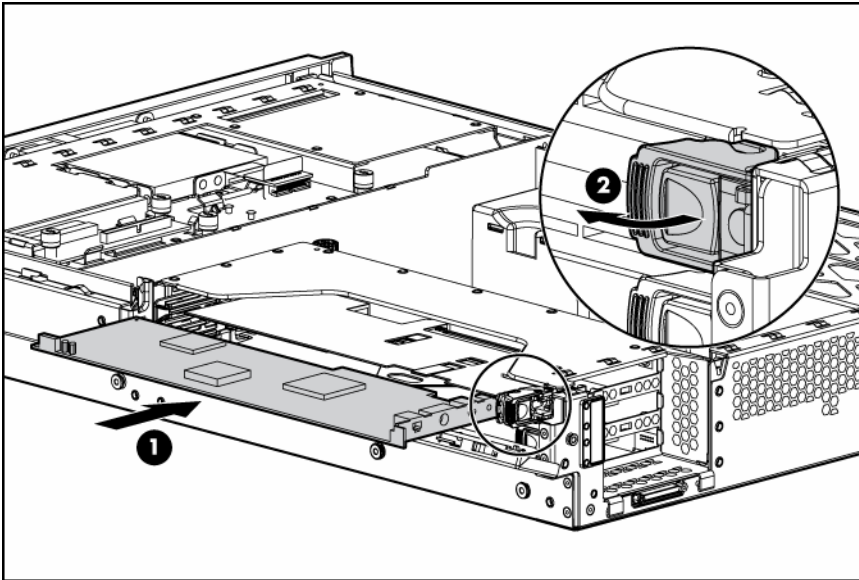
3. Open the PCI riser cage door.



4. Press the PCI Hot Plug button to remove power from the slot. When the green power LED on the slot stops flashing, power has been removed from the slot.
5. Remove the expansion slot cover from the slot, if installed ("[Removing expansion slot covers 2 and 3](#)" on page 59).
6. Unlock the PCI retaining clip.



7. Install the expansion board.



8. Lock the PCI retaining clip.
9. Connect any required internal or external cables to the expansion board. Refer to the documentation that ships with the expansion board.
10. Close the slot release lever.
11. Press the PCI Hot Plug button and wait for the power LED to illuminate green without flashing.
12. Close the PCI riser cage door.
13. Install the access panel ("[Installing the access panel](#)" on page 29).

# Cabling

## In this section

Cabling.....	64
SAS model cabling.....	64
SCSI model cabling.....	68

## Cabling

This section provides guidelines that help you make informed decisions about cabling the server and hardware options to optimize performance.

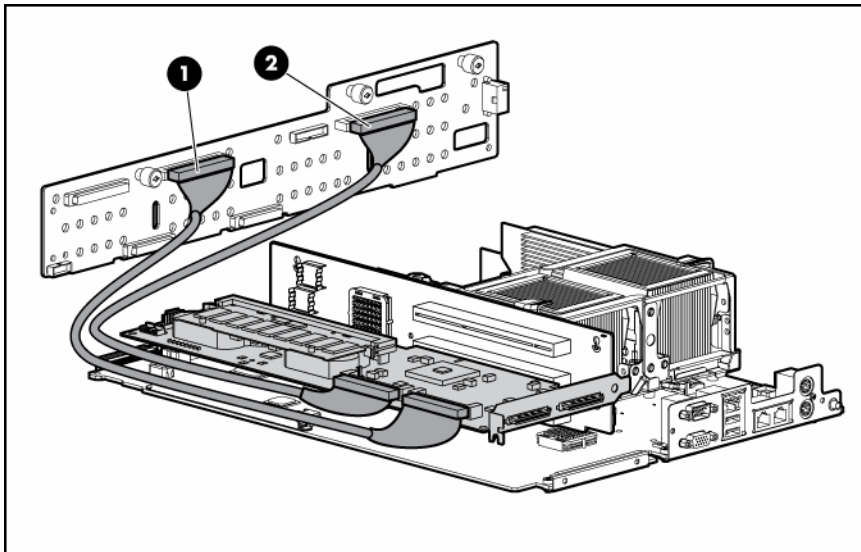
For information on cabling the optional RILOE II board, refer to the *HP Remote Insight Lights-Out Edition II User Guide* on the Documentation CD.

For information on cabling peripheral components, refer to the white paper on high-density deployment in HP or Compaq branded racks on the HP website (<http://www.hp.com>).

## SAS model cabling

### SAS hard drive cabling

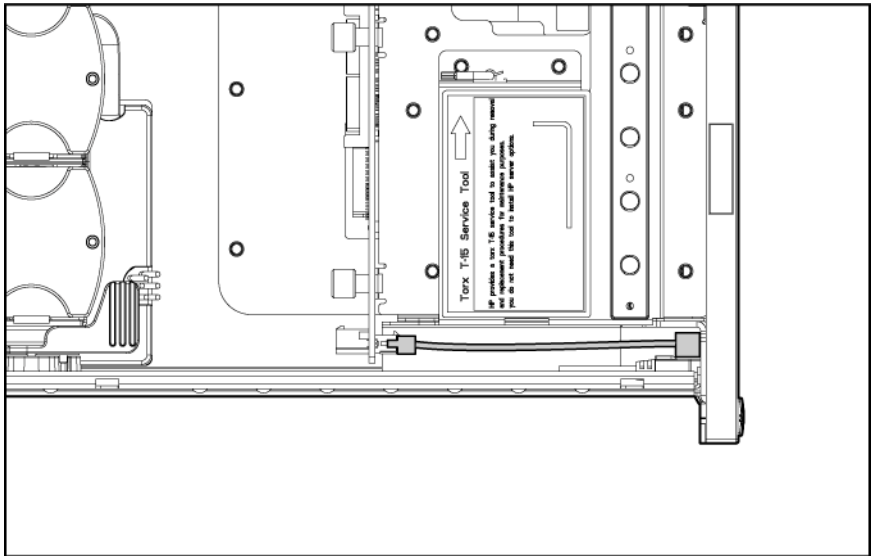
The HP ProLiant DL380 Generation 4 Server SAS model uses a serial attached SCSI bus to connect SAS hard drives on a SAS backplane to a PCI SAS controller. In a SAS environment, each hard drive has a direct connection to the SAS controller. Two cables connect the PCI SAS controller to the SAS backplane. Each cable controls four SAS drives.



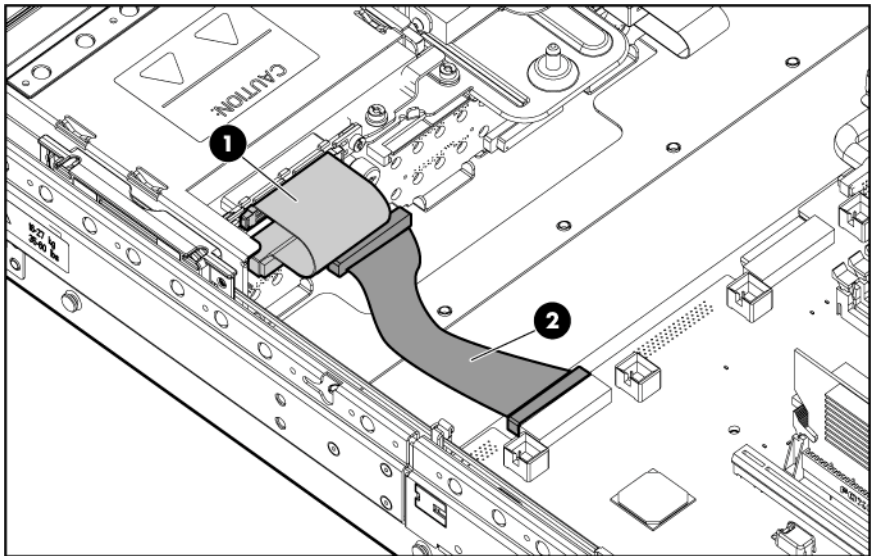


# USB cabling

The USB cable connects the front panel USB connector to the SAS backplane.

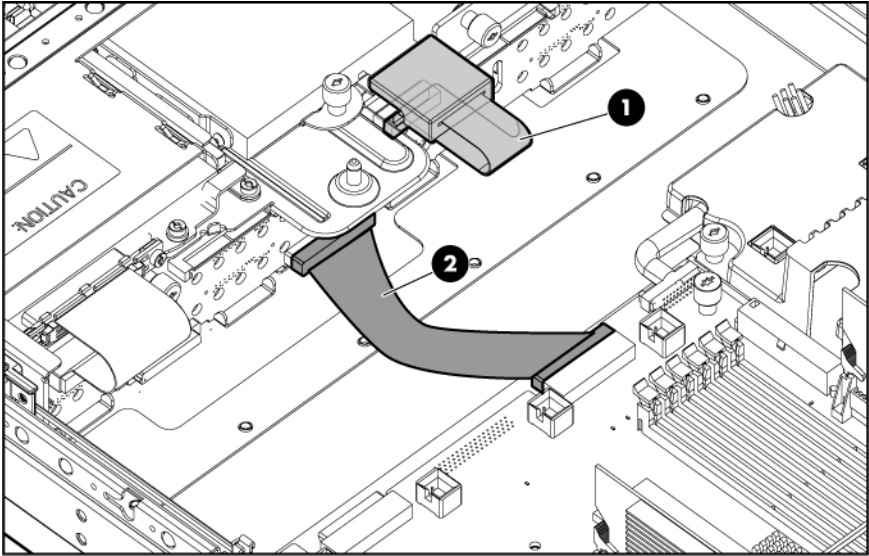


# DVD/CD-ROM drive cabling



Item	Cable description
1	DVD/CD-ROM drive cable
2	DVD/CD-ROM drive system cable

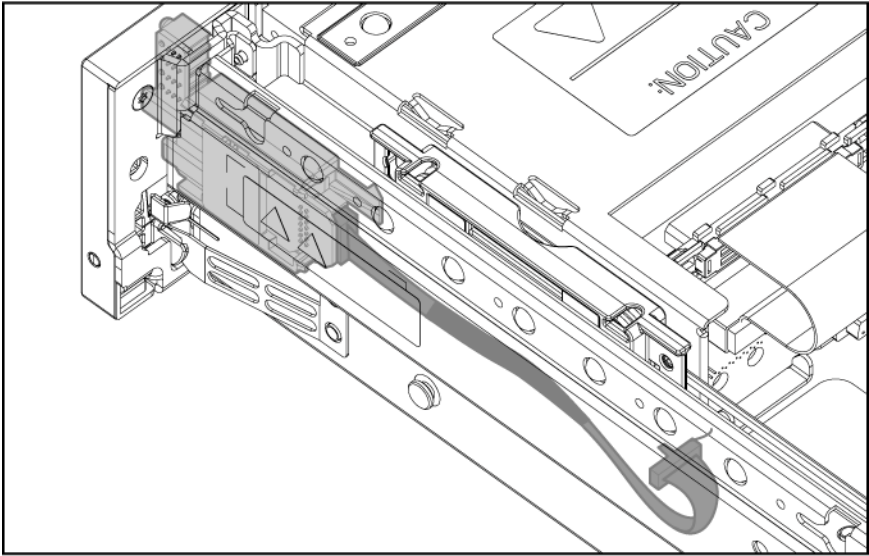
# Diskette drive cabling



Item	Cable description
1	Diskette drive cable
2	Diskette drive system cable

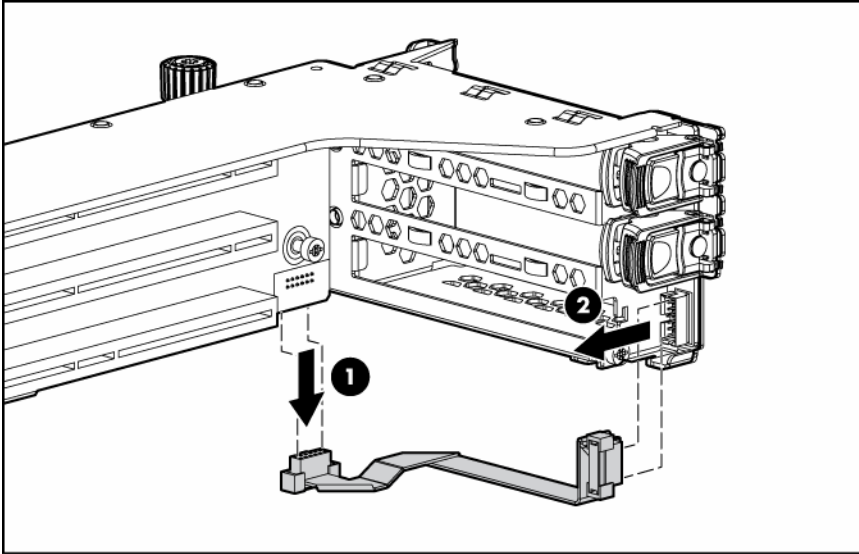
# Power button/LED cabling

The power button/LED cable connects the power button/LED board to the SAS backplane.



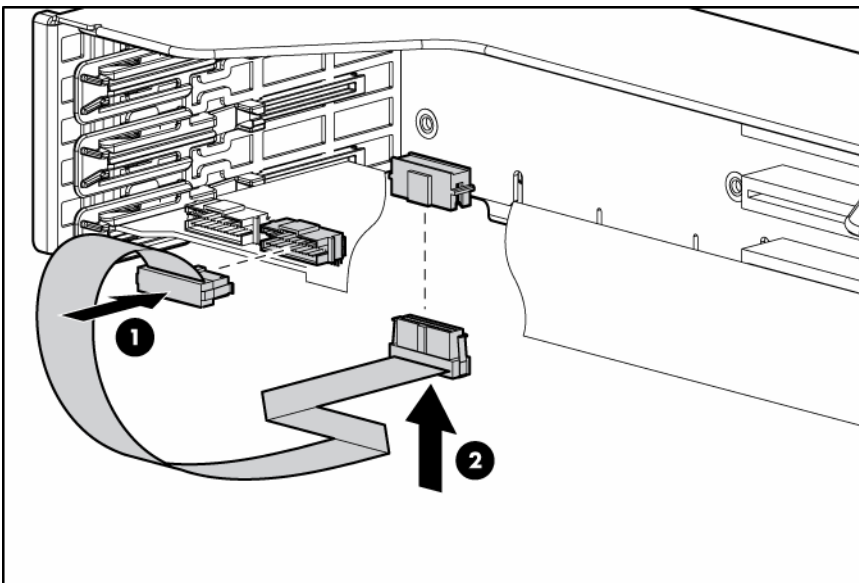
## Optional PCI Hot Plug backplane cabling

The server contains a PCI Hot Plug backplane that is part of the PCI Hot Plug option and provides hot-plug capability for two expansion slots. A ribbon cable connects the PCI Hot Plug backplane to the riser board.

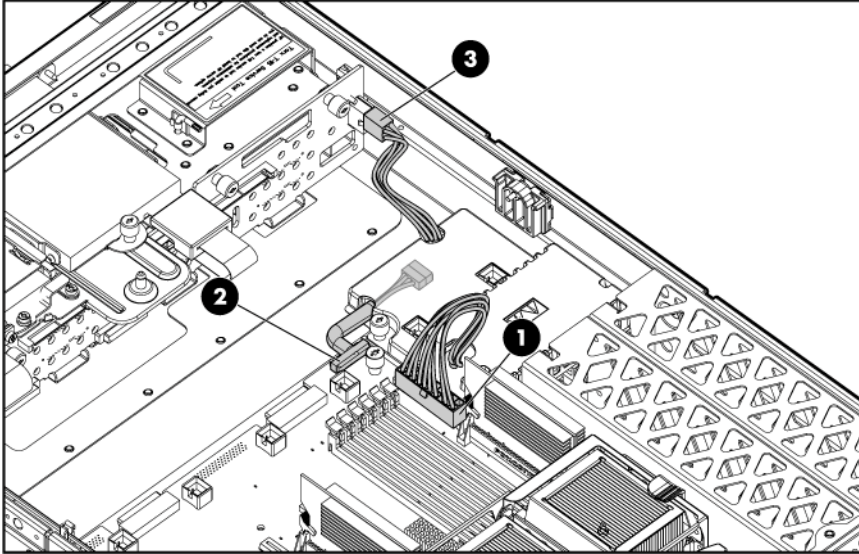


## RILOE II cabling

The 30-pin Remote Insight cable ships with the RILOE II cable kit. For more information, refer to the *Remote Insight Lights-Out Edition II User Guide* on the Documentation CD.



## Internal power cabling



Item	Description
1	System power cable
2	Power supply signal cable
3	SAS power cable

## SCSI model cabling



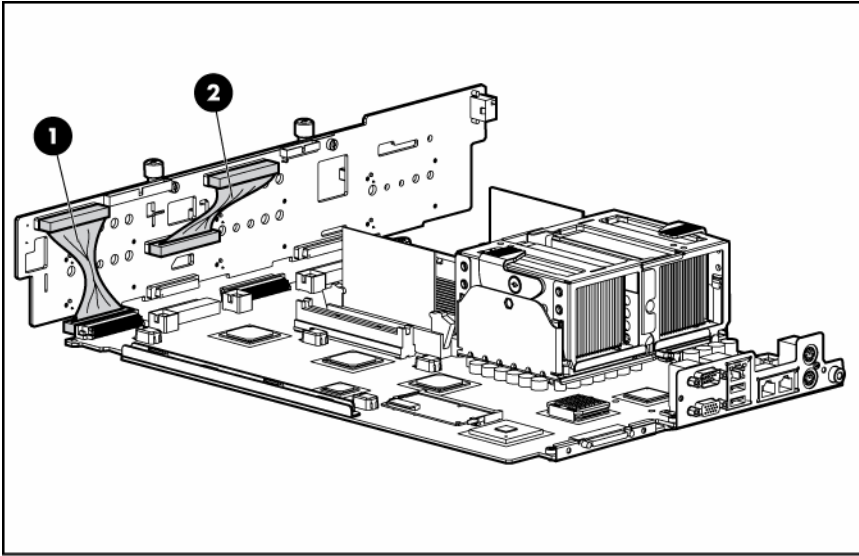
**IMPORTANT:** If a simplex or duplex cabling configuration is not cabled correctly, the SCSI configuration error LED will illuminate. Refer to "SCSI Backplane LEDs (on page 18)" to locate the LED.



**NOTE:** The server ships with two identical short SCSI cables. Two optional long SCSI cables may be obtained for PCI Array Controllers. One optional terminator board may be obtained to support duplex SCSI configurations.

## Embedded simplex SCSI cabling

In the embedded simplex cabling configuration, the embedded Smart Array 6i Controller controls up to six hard drives through one SCSI bus. The server ships standard with this configuration.



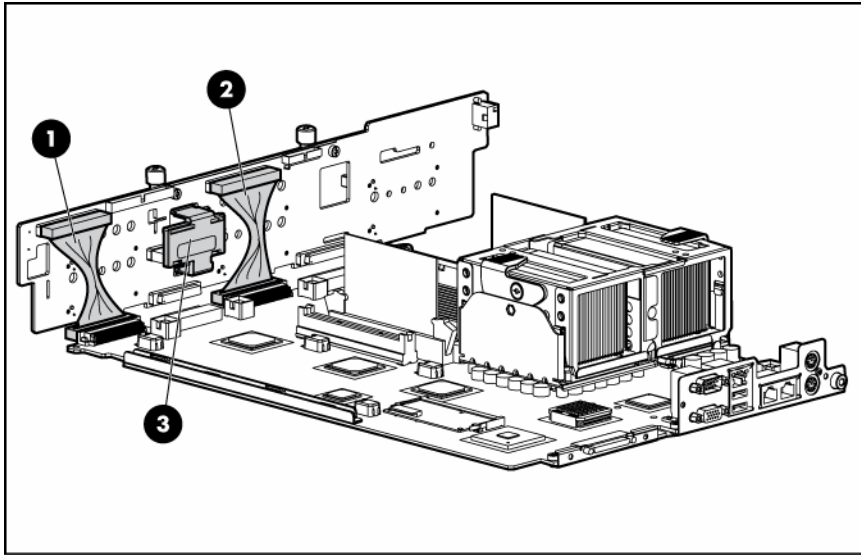
 **NOTE:** The short SCSI cables are identical.


Item	Component description	SCSI IDs managed
1	Short SCSI cable	0, 1, 2, 3, 4, 5
2	Short SCSI cable used to jumper the two SCSI buses together	N/A

## Embedded duplex SCSI cabling

In the embedded duplex cabling configuration, the embedded Smart Array 6i Controller controls up to six hard drives through two SCSI buses: one bus with up to two drives and the other bus with up to four drives.

 **NOTE:** This specific cabling configuration does not support external VHDCI.



 **NOTE:** Optional SCSI terminator board and optional long SCSI cables are available in the SCSI Configuration Option Kit.

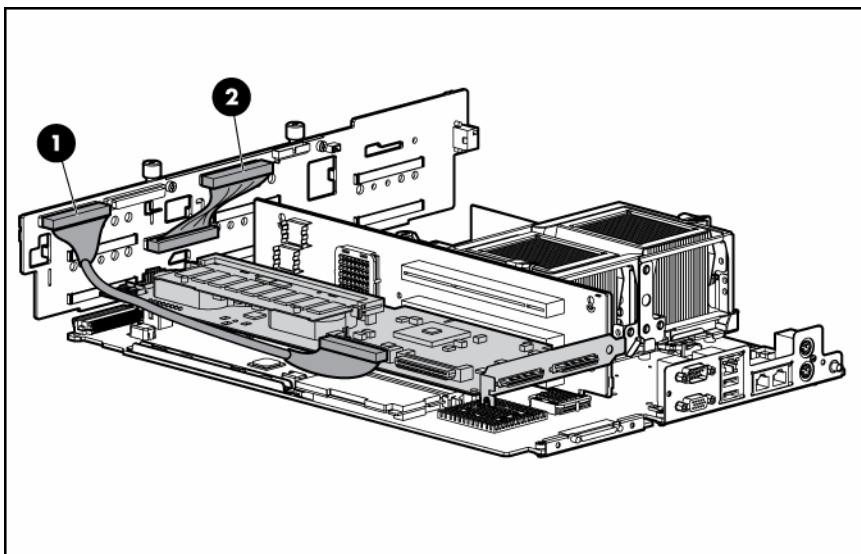
 **NOTE:** The short SCSI cables are identical.

Item	Component description	SCSI IDs managed
1	Short SCSI cable	0, 1
2	Short SCSI cable	2, 3, 4, 5
3	Optional terminator board	N/A

Refer to "Installing the SCSI terminator board (on page 73)" for SCSI terminator board installation procedures.

## PCI simplex SCSI cabling

In the PCI simplex cabling configuration, an optional PCI array controller controls up to six hard drives through one SCSI bus.



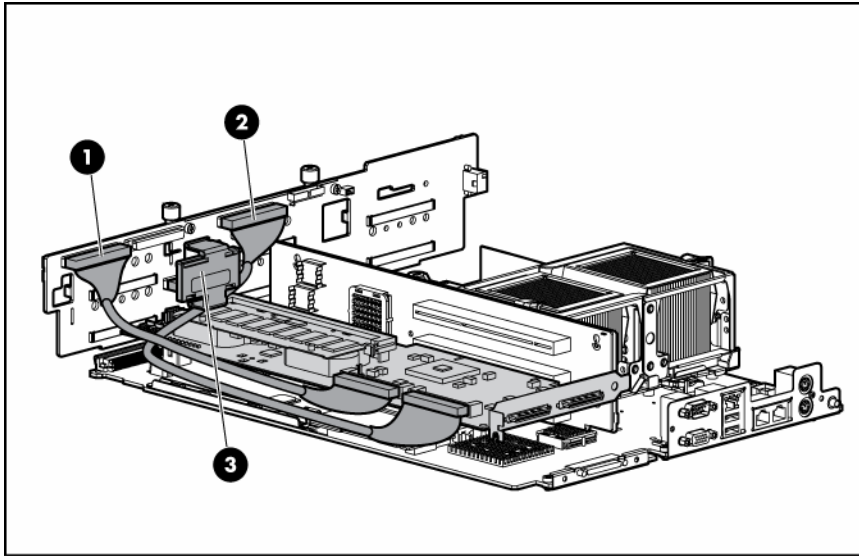


**NOTE:** Optional SCSI terminator board and optional long SCSI cables are available in the SCSI Configuration Option Kit.

Item	Component description	SCSI IDs managed
1	Optional long SCSI cable	0, 1, 2, 3, 4, 5
2	Short SCSI cable used to jumper the two SCSI buses together	N/A

## PCI duplex SCSI cabling

In the PCI duplex cabling configuration, an optional PCI array controller controls up to six hard drives through two SCSI buses: one bus with up to two drives and one bus with up to four drives.



**NOTE:** Optional SCSI terminator board and optional long SCSI cables are available in the SCSI Configuration Option Kit.

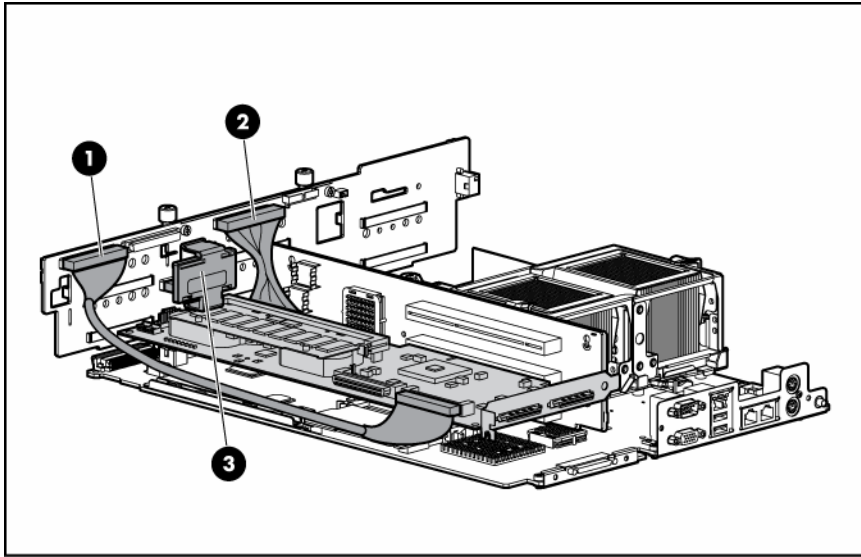
Item	Component description	SCSI IDs managed
1	Optional long SCSI cable	0, 1
2	Optional long SCSI cable	2, 3, 4, 5
3	Optional terminator board	N/A


Refer to "Installing the SCSI terminator board (on page 73)" for SCSI terminator board installation procedures.

## Mixed duplex SCSI cabling

In the mixed duplex SCSI cabling configuration, an optional PCI array controller controls up to six hard drives through two SCSI buses: one bus with up to two drives and one bus with up to four drives. Two configuration options are available for mixed duplex SCSI cabling.

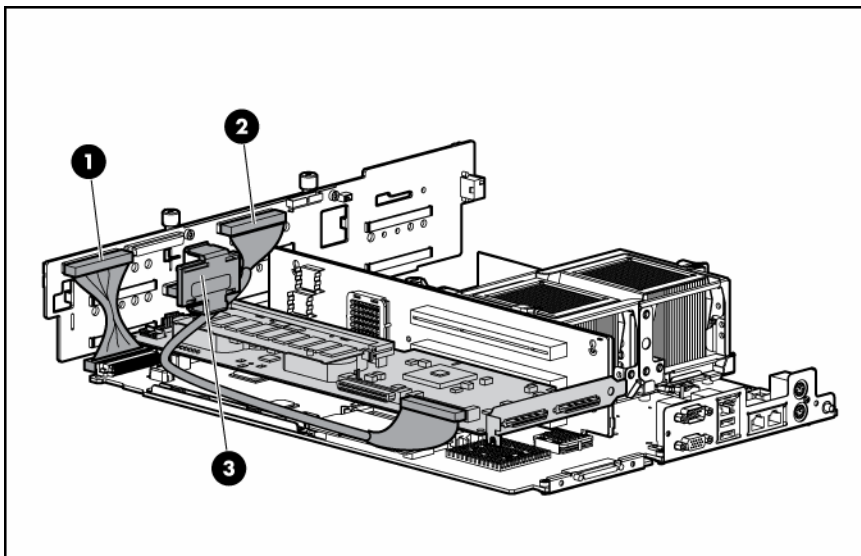
 **NOTE:** This specific cabling configuration does not support external VHDCI.




 **NOTE:** Optional SCSI terminator board and optional long SCSI cables are available in the SCSI Configuration Option Kit.

Item	Component description	SCSI IDs managed
1	Optional long SCSI cable	0, 1
2	Short SCSI cable	2, 3, 4, 5
3	Optional terminator board	N/A

 **NOTE:** This specific cabling configuration supports external VHDCI.



 **NOTE:** Optional SCSI terminator board and optional long SCSI cables are available in the SCSI Configuration Option Kit.

Item	Component description	SCSI IDs managed
1	Short SCSI cable	0, 1
2	Optional long SCSI cable	2, 3, 4, 5



Item	Component description	SCSI IDs managed
3	Optional terminator board	N/A

Refer to "Installing the SCSI Terminator Board (on page 73)" for SCSI terminator board installation procedures.

## Installing the SCSI terminator board

1. Power down the server (on page 27).
2. Extend or remove the server from the rack ("Extend the server from the rack" on page 28).
3. Remove the access panel ("Removing the access panel" on page 29).
4. Remove the front fan bracket ("Front fan bracket" on page 53).

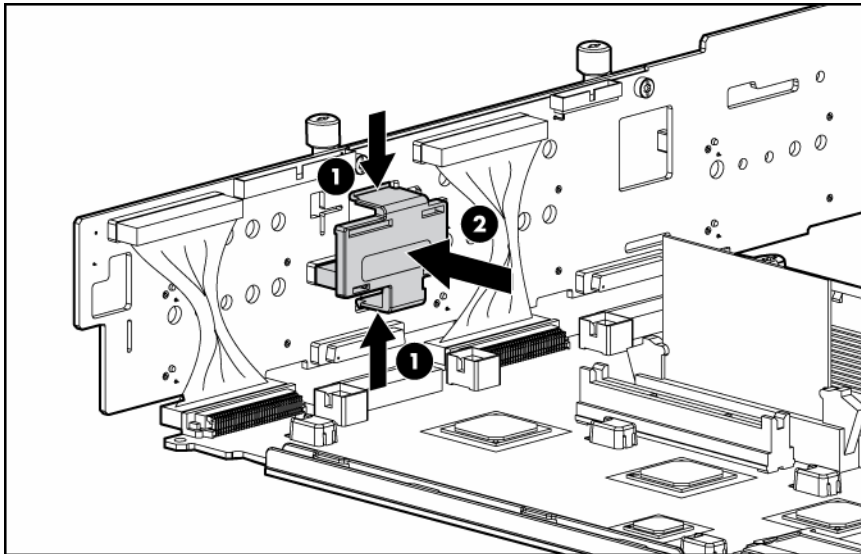


**IMPORTANT:** For this procedure, you do not need to remove the hot-plug fans from the front fan bracket. When reinstalling the front fan bracket, press the top of each fan to be sure it seats securely.



**NOTE:** For more information on preparing the server for installation or removal procedures, refer to the Documentation CD.

5. Install the SCSI terminator board.



## Removing the SCSI terminator board

1. Power down the server (on page 27).
2. Extend or remove the server from the rack ("Extend the server from the rack" on page 28).
3. Remove the access panel ("Removing the access panel" on page 29).
4. Remove the front fan bracket ("Front fan bracket" on page 53).

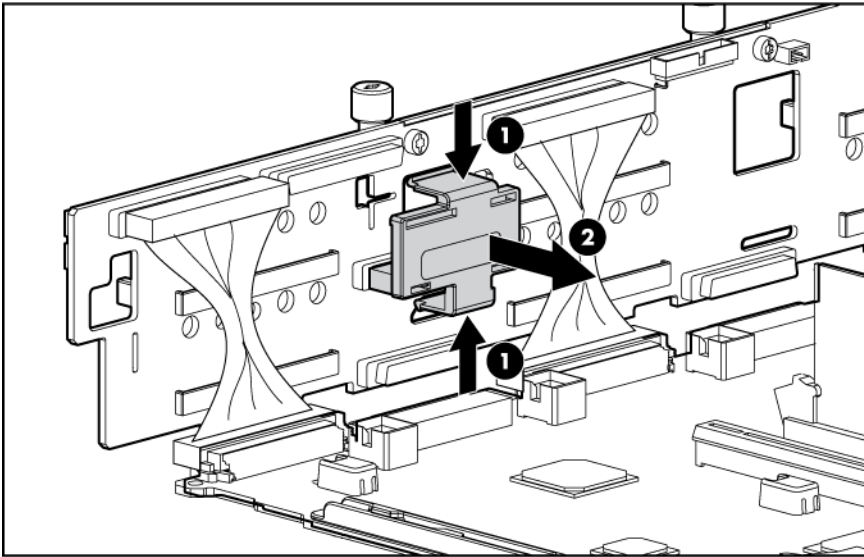


**IMPORTANT:** For this procedure, you do not need to remove the hot-plug fans from the front fan bracket. When reinstalling the front fan bracket, press the top of each fan to be sure it seats securely.



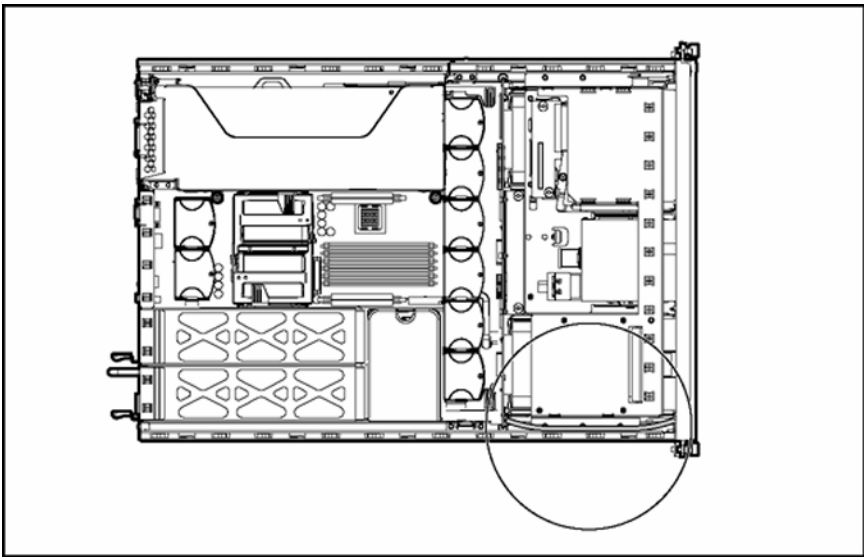
**NOTE:** For more information on preparing the server for installation or removal procedures, refer to the Documentation CD.

5. Remove the SCSI terminator board.

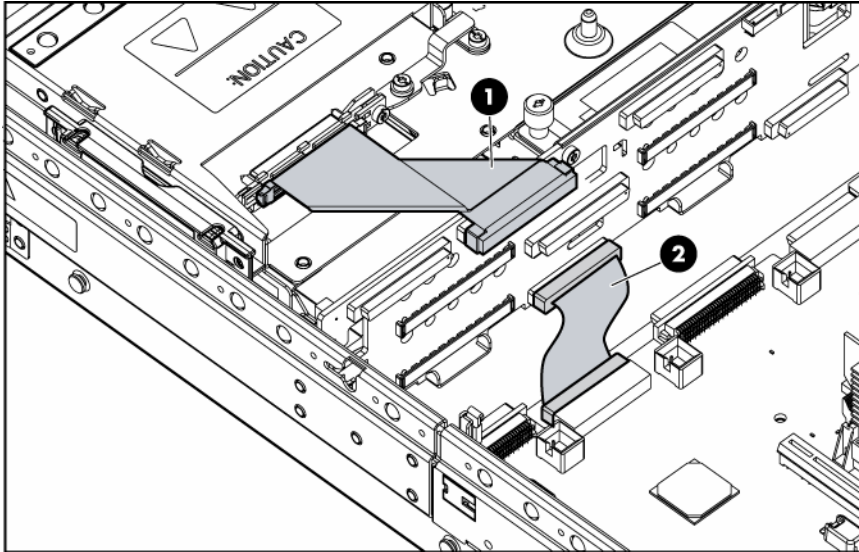


## USB cabling

The USB cable connects the front panel USB connector to the SCSI backplane.

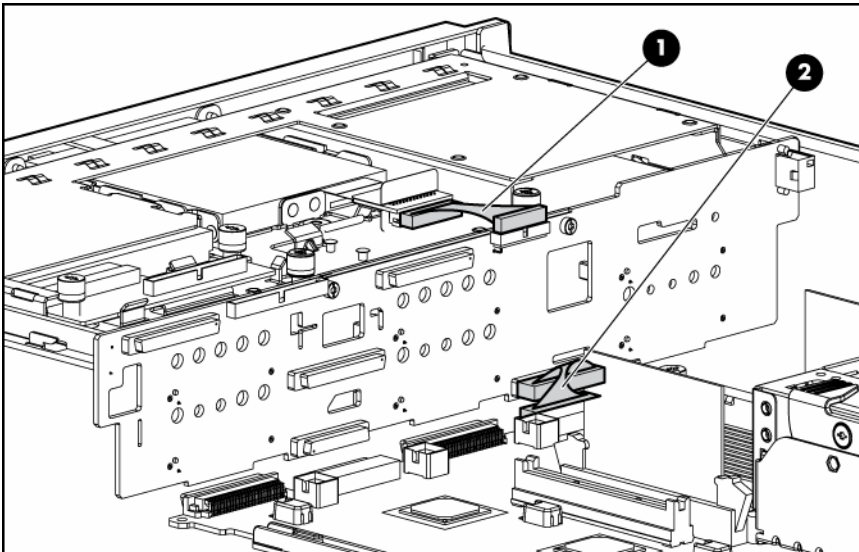


## DVD/CD-ROM drive cabling



Item	Cable description
1	DVD/CD-ROM drive cable
2	DVD/CD-ROM drive system cable

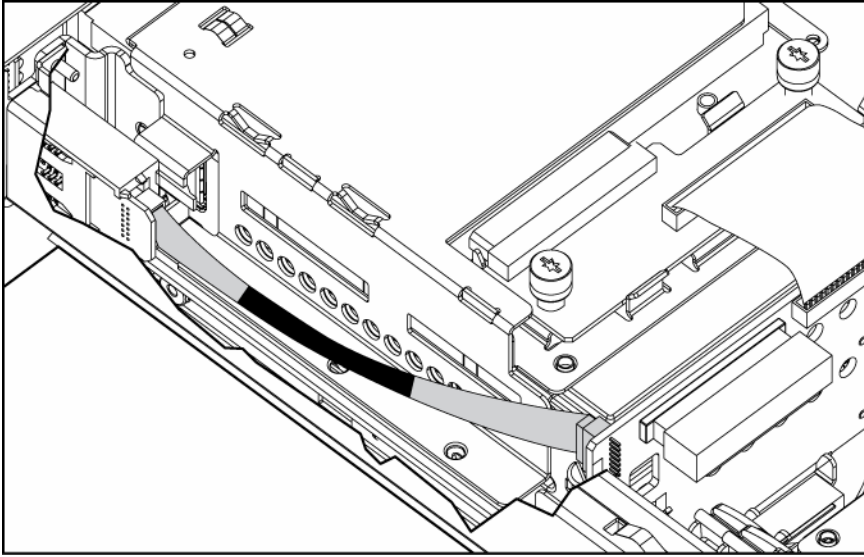
## Diskette drive cabling



Item	Cable description
1	Diskette drive cable
2	Diskette drive system cable

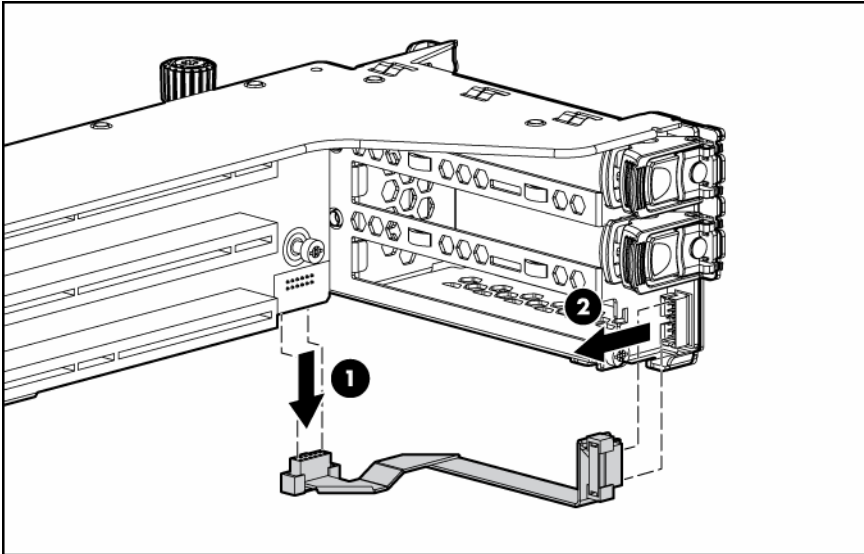
## Power button/LED cabling

The power button/LED cable connects the power button/LED board to the SCSI backplane.



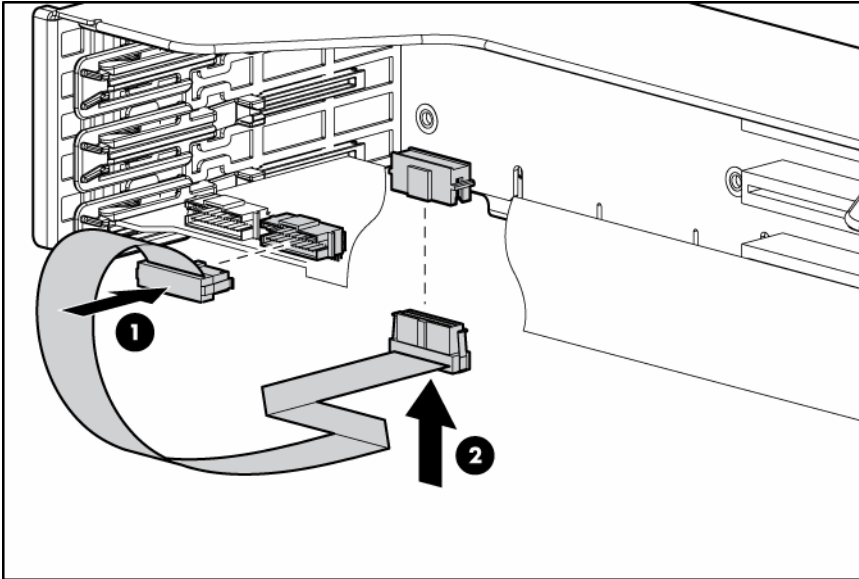
## Optional PCI Hot Plug backplane cabling

The server contains a PCI Hot Plug backplane that is part of the PCI Hot Plug option and provides hot-plug capability for two expansion slots. A ribbon cable connects the PCI Hot Plug backplane to the riser board.

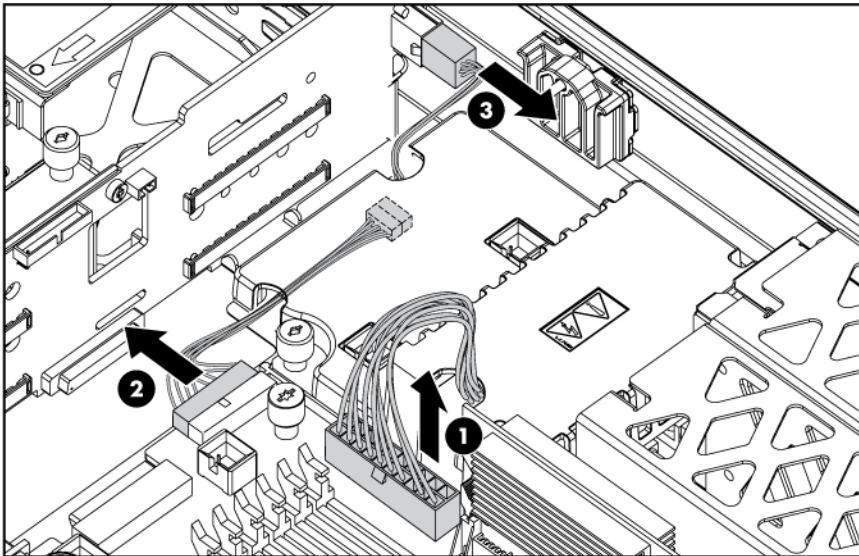


## RILOE II cabling

The 30-pin Remote Insight cable ships with the RILOE II cable kit. For more information, refer to the *Remote Insight Lights-Out Edition II User Guide* on the Documentation CD.

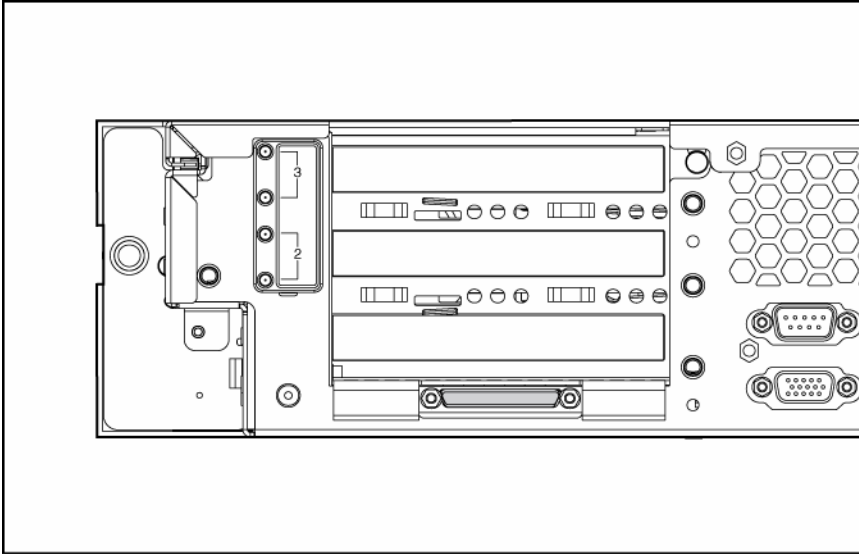


## Internal power cabling



Item	Description
1	System power cable
2	Power supply signal cable
3	SCSI power cable

## External storage cabling



The external VHDCI SCSI connector (port 1) can only be used in the following SCSI configurations:

- Embedded simplex
- PCI simplex
- PCI duplex
- Mixed duplex (one of two configuration options)

For more information, refer to "Mixed duplex SCSI cabling ("PCI duplex SCSI cabling" on page 71)".

After cabling external storage options, use the following software utilities:

- RBSU, to configure new hardware in the system  
For more information, refer to "HP ROM-Based Setup Utility (on page 80)" or the *ROM-Based Setup Utility User Guide* on the Documentation CD.
- ORCA, to configure and manage drive arrays  
For more information, refer to the *Smart Array 6i Controller User Guide* on the Documentation CD.

For more information on external cabling, refer to the HP website (<http://www.hp.com/products/servers/platforms>).

---

# Software and configuration utilities

## In this section

Configuration tools .....	79
Management tools.....	83
Diagnostic tools .....	86
Keeping the system current .....	87

## Configuration tools

### SmartStart software

SmartStart is a collection of software that optimizes single-server setup, providing a simple and consistent way to deploy server configuration. SmartStart has been tested on many ProLiant server products, resulting in proven, reliable configurations.

SmartStart assists the deployment process by performing a wide range of configuration activities, including:

- Configuring hardware using embedded configuration utilities, such as RBSU and ORCA
- Preparing the system for installing "off-the-shelf" versions of leading operating system software
- Installing optimized server drivers, management agents, and utilities automatically with every assisted installation
- Testing server hardware using the Insight Diagnostics Utility ("[HP Insight Diagnostics](#)" on page 87)
- Installing software drivers directly from the CD. With systems that have internet connection, the SmartStart Autorun Menu provides access to a complete list of ProLiant system software.
- Enabling access to the Array Configuration Utility (on page 81), Array Diagnostic Utility (on page 87), and Erase Utility

SmartStart is included in the HP ProLiant Essentials Foundation Pack. For more information about SmartStart software, refer to the HP ProLiant Essentials Foundation Pack or the HP website (<http://www.hp.com/servers/smartstart>).

### SmartStart Scripting Toolkit

The SmartStart Scripting Toolkit is a server deployment product that delivers an unattended automated installation for high-volume server deployments. The SmartStart Scripting Toolkit is designed to support ProLiant BL, ML, and DL servers. The toolkit includes a modular set of utilities and important documentation that describes how to apply these new tools to build an automated server deployment process.

Using SmartStart technology, the Scripting Toolkit provides a flexible way to create standard server configuration scripts. These scripts are used to automate many of the manual steps in the server configuration process. This automated server configuration process cuts time from each server deployed, making it possible to scale server deployments to high volumes in a rapid manner.

For more information, and to download the SmartStart Scripting Toolkit, refer to the HP website (<http://www.hp.com/servers/sstoolkit>).

## Configuration Replication Utility

ConRep is shipped in the SmartStart Scripting Toolkit and is a program that works with RBSU to replicate hardware configuration on ProLiant servers. This utility is run during State 0, Run Hardware Configuration Utility, when doing a scripted server deployment. ConRep reads the state of the system environment variables to determine the configuration and then writes the results to an editable script file. This file can then be deployed across multiple servers with similar hardware and software components. For more information, refer to the *SmartStart Scripting Toolkit User Guide* on the HP website (<http://h18004.www1.hp.com/products/servers/management/toolkit/documentation.html>).

## HP ROM-Based Setup Utility

RBSU, an embedded configuration utility, performs a wide range of configuration activities that may include:

- Configuring system devices and installed options
- Displaying system information
- Selecting the primary boot controller
- Configuring memory options
- Language selection

For more information on RBSU, refer to the *HP ROM-Based Setup Utility User Guide* on the Documentation CD or the HP website (<http://www.hp.com/servers/smartstart>).

## Using RBSU

The first time you power up the server, the system prompts you to enter RBSU and select a language. Default configuration settings are made at this time and can be changed later. Most of the features in RBSU are not required to set up the server.

To navigate RBSU, use the following keys:

- To access RBSU, press the **F9** key during power up when prompted in the upper right corner of the screen.
- To navigate the menu system, use the arrow keys.
- To make selections, press the **Enter** key.



**IMPORTANT:** RBSU automatically saves settings when you press the **Enter** key. The utility does not prompt you for confirmation of settings before you exit the utility. To change a selected setting, you must select a different setting and press the **Enter** key.

## Auto-configuration process

The auto-configuration process automatically runs when you boot the server for the first time. During the power-up sequence, the system ROM automatically configures the entire system without needing any intervention. During this process, the ORCA utility, in most cases, automatically configures the array to a default setting based on the number of drives connected to the server.



**NOTE:** The server may not support all the following examples.



**NOTE:** If the boot drive is not empty or has been written to in the past, ORCA does not automatically configure the array. You must run ORCA to configure the array settings.

Drives installed	Drives used	RAID level
1	1	RAID 0
2	2	RAID 1



Drives installed	Drives used	RAID level
3, 4, 5, or 6	3, 4, 5, or 6	RAID 5
More than 6	0	None

To change any ORCA default settings and override the auto-configuration process, press the **F8** key when prompted.

By default, the auto-configuration process configures the system for the English language. To change any default settings in the auto-configuration process (such as the settings for language, operating system, and primary boot controller), execute RBSU by pressing the **F9** key when prompted. After the settings are selected, exit RBSU and allow the server to reboot automatically.

For more information, refer to the *HP ROM-Based Setup Utility User Guide* on the Documentation CD or the HP website (<http://www.hp.com/servers/smartstart>).

## Boot options

After the auto-configuration process completes, or after the server reboots upon exit from RBSU, the POST sequence runs, and then the boot option screen is displayed. This screen is visible for several seconds before the system attempts to boot from a diskette, CD, or hard drive. During this time, the menu on the screen allows you to install an operating system or make changes to the server configuration in RBSU.

## BIOS Serial Console

BIOS Serial Console allows you to configure the serial port to view POST error messages and run RBSU remotely through a serial connection to the server COM port. The server that you are remotely configuring does not require a keyboard and mouse.

For more information about BIOS Serial Console, refer to the *BIOS Serial Console User Guide* on the Documentation CD or the HP website (<http://www.hp.com/servers/smartstart>).

## Configuring online spare memory

To configure online spare memory:

1. Install the required DIMMs.
2. Access RBSU by pressing the **F9** key during power-up when the prompt is displayed in the upper right corner of the screen.
3. Select **System Options**.
4. Select **Advanced Memory Protection**.
5. Select **Online Spare with Advanced ECC Support**.
6. Press the **Enter** key.
7. Press the **Esc** key to exit the current menu, or press the **F10** key to exit RBSU.

For more information on online spare memory, refer to the white paper on the HP website (<http://h18000.www1.hp.com/products/servers/technology/memoryprotection.html>).

## Array Configuration Utility

ACU is a browser-based utility with the following features:

- Runs as a local application or remote service
- Supports online array capacity expansion, logical drive extension, assignment of online spares, and RAID or stripe size migration
- Suggests the optimum configuration for an unconfigured system

- Provides different operating modes, enabling faster configuration or greater control over the configuration options
- Remains available any time that the server is on
- Displays on-screen tips for individual steps of a configuration procedure

For optimum performance, the minimum display settings are 800 × 600 resolution and 256 colors. Servers running Microsoft® operating systems require Internet Explorer 5.5 (with Service Pack 1) or later. For Linux servers, refer to the README.TXT file for additional browser and support information.

For more information, refer to the *HP Array Configuration Utility User Guide* on the Documentation CD or the HP website (<http://www.hp.com>).

## Option ROM Configuration for Arrays

Before installing an operating system, you can use the ORCA utility to create the first logical drive, assign RAID levels, and establish online spare configurations.

The utility also provides support for the following functions:

- Reconfiguring one or more logical drives
- Viewing the current logical drive configuration
- Deleting a logical drive configuration
- Setting the controller to be the boot controller

If you do not use the utility, ORCA will default to the standard configuration.

For more information regarding array controller configuration, refer to the controller user guide.

For more information regarding the default configurations that ORCA uses, refer to the *HP ROM-Based Setup Utility User Guide* on the Documentation CD.

## HP ProLiant Essentials Rapid Deployment Pack

The RDP software is the preferred method for rapid, high-volume server deployments. The RDP software integrates two powerful products: Altiris Deployment Solution and the HP ProLiant Integration Module.

The intuitive graphical user interface of the Altiris Deployment Solution console provides simplified point-and-click and drag-and-drop operations that enable you to deploy target servers, including server blades, remotely. It enables you to perform imaging or scripting functions and maintain software images.

For more information about the RDP, refer to the HP ProLiant Essentials Rapid Deployment Pack CD or refer to the HP website (<http://www.hp.com/servers/rdp>).

## Re-entering the server serial number and product ID

After you replace the system board, you must re-enter the server serial number and the product ID.

1. During the server startup sequence, press the **F9** key to access RBSU.
2. Select the **System Options** menu.
3. Select **Serial Number**. The following warning is displayed:

```
WARNING! WARNING! WARNING! The serial number is loaded into the system
during the manufacturing process and should NOT be modified. This option
should only be used by qualified service personnel. This value should
always match the serial number sticker located on the chassis.
```

4. Press the **Enter** key to clear the warning.
5. Enter the serial number and press the **Enter** key.

6. Select **Product ID**.
7. Enter the product ID and press the **Enter** key.
8. Press the **Esc** key to close the menu.
9. Press the **Esc** key to exit RBSU.
10. Press the **F10** key to confirm exiting RBSU. The server will automatically reboot.

## Management tools

### Automatic Server Recovery

ASR is a feature that causes the system to restart when a catastrophic operating system error occurs, such as a blue screen, ABEND, or panic. A system fail-safe timer, the ASR timer, starts when the System Management driver, also known as the Health Driver, is loaded. When the operating system is functioning properly, the system periodically resets the timer. However, when the operating system fails, the timer expires and restarts the server.

ASR increases server availability by restarting the server within a specified time after a system hang or shutdown. At the same time, the HP SIM console notifies you by sending a message to a designated pager number that ASR has restarted the system. You can disable ASR from the HP SIM console or through RBSU.

### ROMPaq utility

Flash ROM enables you to upgrade the firmware (BIOS) with system or option ROMPaq utilities. To upgrade the BIOS, insert a ROMPaq diskette into the diskette drive and boot the system.

The ROMPaq utility checks the system and provides a choice (if more than one exists) of available ROM revisions. This procedure is the same for both system and option ROMPaq utilities.

For more information about the ROMPaq utility, refer to the HP website (<http://www.hp.com/servers/manage>).

### System Online ROM flash component utility

The Online ROM Flash Component Utility enables system administrators to efficiently upgrade system or controller ROM images across a wide range of servers and array controllers. This tool has the following features:

- Works offline and online
- Supports Microsoft® Windows NT®, Windows® 2000, Windows Server™ 2003, Novell Netware, and Linux operating systems



**IMPORTANT:** This utility supports operating systems that may not be supported by the server. For operating systems supported by the server, refer to the HP website (<http://www.hp.com/go/supportos>).

- Integrates with other software maintenance, deployment, and operating system tools
- Automatically checks for hardware, firmware, and operating system dependencies, and installs only the correct ROM upgrades required by each target server

To download the tool and for more information, refer to the HP website (<http://h18000.www1.hp.com/support/files/index.html>).

## RILOE technology

The RILOE subsystem is a standard component of selected ProLiant servers that provides server health and remote server manageability. The RILOE subsystem includes an intelligent microprocessor, secure memory, and a dedicated network interface. This design makes RILOE independent of the host server and its operating system. The RILOE subsystem provides remote access to any authorized network client, sends alerts, and provides other server management functions.

Using RILOE, you can:

- Remotely power up, power down, or reboot the host server.
- Send alerts from RILOE regardless of the state of the host server.
- Access advanced troubleshooting features through the RILOE interface.
- Diagnose RILOE using HP SIM through a web browser and SNMP alerting.

For more information about RILOE features, refer to the RILOE documentation on the Documentation CD or on the HP website (<http://www.hp.com/servers/lights-out>).

## StorageWorks library and tape tools

HP StorageWorks L&TT provides functionality for firmware downloads, verification of device operation, maintenance procedures, failure analysis, corrective service actions, and some utility functions. It also provides seamless integration with HP hardware support by generating and emailing support tickets that deliver a snapshot of the storage system.

For more information, and to download the utility, refer to the StorageWorks L&TT website (<http://h18006.www1.hp.com/products/storageworks/ltt>).

## Management Agents

Management Agents provide the information to enable fault, performance, and configuration management. The agents allow easy manageability of the server through HP SIM software, and third-party SNMP management platforms. Management Agents are installed with every SmartStart assisted installation or can be installed through the HP PSP. The Systems Management homepage provides status and direct access to in-depth subsystem information by accessing data reported through the Management Agents. For additional information, refer to the Management CD in the HP ProLiant Essentials Foundation Pack or the HP website (<http://www.hp.com/servers/manage>).

## HP Systems Insight Manager

HP SIM is a web-based application that allows system administrators to accomplish normal administrative tasks from any remote location, using a web browser. HP SIM provides device management capabilities that consolidate and integrate management data from HP and third-party devices.



**IMPORTANT:** You must install and use HP SIM to benefit from the Pre-Failure Warranty for processors, SCSI hard drives, and memory modules.

For additional information, refer to the Management CD in the HP ProLiant Essentials Foundation Pack or the HP SIM website (<http://www.hp.com/go/hpsim>).

## Redundant ROM support

The server enables you to upgrade or configure the ROM safely with redundant ROM support. The server has a 4-MB ROM that acts as two, separate 2-MB ROMs. In the standard implementation, one side of the ROM contains the current ROM program version, while the other side of the ROM contains a backup version.



**NOTE:** The server ships with the same version programmed on each side of the ROM.

## Safety and security benefits

When you flash the system ROM, ROMPaq writes over the backup ROM and saves the current ROM as a backup, enabling you to switch easily to the alternate ROM version if the new ROM becomes corrupted for any reason. This feature protects the existing ROM version, even if you experience a power failure while flashing the ROM.

## Access to redundant ROM settings

To access the redundant ROM through RBSU:

1. Access RBSU by pressing the **F9** key during powerup when the prompt is displayed in the upper right corner of the screen.
2. Select **Advanced Options**.
3. Select **Redundant ROM Selection**.
4. Select the ROM version.
5. Press the **Enter** key.
6. Press the **Esc** key to exit the current menu or press the **F10** key to exit RBSU. The server restarts automatically.

To access the redundant ROM manually:

1. Power down the server (on page 27).
2. Remove the access panel ("[Removing the access panel](#)" on page 29).
3. Set positions 1, 5, and 6 of the system maintenance switch to On.
4. Install the access panel ("[Installing the access panel](#)" on page 29).
5. Power up the server (on page 27).
6. Wait for the server to emit two beeps.
7. Repeat steps 1 and 2.
8. Set positions 1, 5, and 6 of the system maintenance switch to Off.
9. Repeat steps 4 and 5.

When the server boots, the system identifies whether the current ROM bank is corrupt. If a corrupt ROM is detected, the system boots from the backup ROM and alerts you through POST or IML that the ROM bank is corrupt.

If both the current and backup versions of the ROM are corrupt, the server automatically enters ROMPaq disaster recovery mode.

## iLO ROM-Based Setup Utility

HP recommends using iLO RBSU to configure and set up iLO. iLO RBSU is designed to assist you with setting up iLO on a network; it is not intended for continued administration.

To run iLO RBSU:

1. Restart or power up the server.
2. Press the **F8** key when prompted during POST. The iLO RBSU runs.
3. Enter a valid iLO user ID and password with the appropriate iLO privileges (**Administer User Accounts, Configure iLO Settings**). Default account information is located on the iLO Default Network Settings tag.
4. Make and save any necessary changes to the iLO configuration.

## 5. Exit iLO RBSU.

HP recommends using DNS/DHCP with iLO to simplify installation. If DNS/DHCP cannot be used, use the following procedure to disable DNS/DHCP and to configure the IP address and the subnet mask:

1. Restart or power up the server.
2. Press the **F8** key when prompted during POST. The iLO RBSU runs.
3. Enter a valid iLO user ID and password with the appropriate iLO privileges (**Administer User Accounts, Configure iLO Settings**). Default account information is located on the iLO Default Network Settings tag.
4. Select **Network, DNS/DHCP**, press the **Enter** key, and then select **DHCP Enable**. Press the spacebar to turn off DHCP. Be sure that DHCP Enable is set to Off and save the changes.
5. Select **Network, NIC and TCP/IP**, press the **Enter** key, and type the appropriate information in the IP Address, Subnet Mask, and Gateway IP Address fields.
6. Save the changes. The iLO system automatically resets to use the new setup when you exit iLO RBSU.

## USB support

HP provides both standard USB support and legacy USB support. Standard support is provided by the operating system through the appropriate USB device drivers. HP provides support for USB devices prior to the operating system loading through legacy USB support, which is enabled by default in the system ROM. HP hardware supports USB version 2.0.

Legacy USB support provides USB functionality in environments where USB support is normally not available. Specifically, HP provides legacy USB functionality at:

- POST
- RBSU
- Diagnostics
- DOS
- Environments which do not support USB natively

For more information on ProLiant USB support, refer to the HP website (<http://www.compaq.com/products/servers/platforms/usb-support.html>).

## Diagnostic tools

### Survey Utility

Survey Utility, a feature within HP Insight Diagnostics (on page 87), gathers critical hardware and software information on ProLiant servers.

This utility supports operating systems that may not be supported by the server. For operating systems supported by the server, refer to the HP website (<http://www.hp.com/go/supportos>).

If a significant change occurs between data-gathering intervals, the Survey Utility marks the previous information and overwrites the Survey text files to reflect the latest changes in the configuration.

Survey Utility is installed with every SmartStart-assisted installation or can be installed through the HP PSP ("ProLiant Support Packs" on page 88).

## Array Diagnostic Utility

ADU is a tool that collects information about array controllers and generates a list of detected problems. ADU can be accessed from the SmartStart CD ("[SmartStart software](#)" on page 79) or downloaded from the HP website (<http://www.hp.com>).

## HP Insight Diagnostics

HP Insight Diagnostics is a proactive server management tool, available in both offline and online versions, that provides diagnostics and troubleshooting capabilities to assist IT administrators who verify server installations, troubleshoot problems, and perform repair validation.

HP Insight Diagnostics Offline Edition performs various in-depth system and component testing while the OS is not running. To run this utility, launch the SmartStart CD.

HP Insight Diagnostics Online Edition is a web-based application that captures system configuration and other related data needed for effective server management. Available in Microsoft® Windows® and Linux versions, the utility helps to ensure proper system operation.

For more information or to download the utility, refer to the HP website (<http://www.hp.com/servers/diags>).

## Integrated Management Log

The IML records hundreds of events and stores them in an easy-to-view form. The IML timestamps each event with 1-minute granularity.

You can view recorded events in the IML in several ways, including the following:

- From within HP SIM ("[HP Systems Insight Manager](#)" on page 84)
- From within Survey Utility (on page 86)
- From within operating system-specific IML viewers
  - For NetWare: IML Viewer
  - For Windows®: IML Viewer
  - For Linux: IML Viewer Application
- From within the RILOE user interface
- From within HP Insight Diagnostics (on page 87)

For more information, refer to the Management CD in the HP ProLiant Essentials Foundation Pack.

## Keeping the system current

### Drivers

The server includes new hardware that may not have driver support on all operating system installation media.

If you are installing a SmartStart-supported operating system, use the SmartStart software (on page 79) and its Assisted Path feature to install the operating system and latest driver support.



**NOTE:** If you are installing drivers from the SmartStart CD or the Software Maintenance CD, refer to the SmartStart website (<http://www.hp.com/servers/smartstart>) to be sure that you are using the latest version of SmartStart. For more information, refer to the documentation provided with the SmartStart CD.

If you do not use the SmartStart CD to install an operating system, drivers for some of the new hardware are required. These drivers, as well as other option drivers, ROM images, and value-add software can be downloaded from the HP website (<http://www.hp.com/support>).



**IMPORTANT:** Always perform a backup before installing or updating device drivers.

## Resource Paqs

Resource Paqs are operating system-specific packages of tools, utilities, and information for HP servers running certain Microsoft® or Novell operating systems. The Resource Paqs include utilities to monitor performance, software drivers, customer support information, and white papers on the latest server integration information. Refer to the Enterprise Partnerships website (<http://h18000.www1.hp.com/partners>), select **Microsoft** or **Novell**, depending on the operating system, and follow the link to the appropriate Resource Paq.

## ProLiant Support Packs

PSPs represent operating system-specific bundles of ProLiant optimized drivers, utilities, and management agents. Refer to the PSP website (<http://h18000.www1.hp.com/products/servers/management/psp.html>).

## Operating system version support

Refer to the operating system support matrix (<http://www.hp.com/go/supportos>).

## Change control and proactive notification

HP offers Change Control and Proactive Notification to notify customers 30 to 60 days in advance of upcoming hardware and software changes on HP commercial products.

For more information, refer to the HP website (<http://h18023.www1.hp.com/solutions/pcsolutions/pcn.html>).

## Natural language search assistant

The natural language search assistant ([http://www.hp.com/support/natural\\_language\\_search](http://www.hp.com/support/natural_language_search)) is a search engine that finds information on HP products, including ProLiant servers. The search engine responds to queries entered in question form.

## Care Pack

HP Care Pack Services offer upgraded service levels to extend and expand standard product warranty with easy-to-buy, easy-to-use support packages that help you make the most of your server investments. Refer to the Care Pack website ([http://www.hp.com/hps/carepack/servers/cp\\_proliant.html](http://www.hp.com/hps/carepack/servers/cp_proliant.html)).



---

# Troubleshooting

## In this section

Troubleshooting resources .....	89
Server diagnostic steps .....	89
Important safety information .....	90
Prepare the server for diagnosis .....	91
Symptom information .....	92
Service notifications .....	92
Loose connections .....	92
Diagnostic steps .....	93

## Troubleshooting resources

The *HP ProLiant Servers Troubleshooting Guide* provides simple procedures for resolving common problems as well as a comprehensive course of action for fault isolation and identification, error message interpretation, issue resolution, and software maintenance.

To obtain the guide, refer to any of the following sources and then select the *HP ProLiant Servers Troubleshooting Guide*:

- The server-specific Documentation CD
- The Business Support Center on the HP website (<http://www.hp.com/support>). Navigate to the server technical support page. Under self-help resources, select **ProLiant Troubleshooting Guide**.
- The Technical Documentation website (<http://www.docs.hp.com>). Select **Enterprise Servers, Workstations and Systems Hardware**, and then the appropriate server.

## Server diagnostic steps

This section covers the steps to take in order to diagnose a problem quickly.

To effectively troubleshoot a problem, HP recommends that you start with the first flowchart in this section, "Start diagnosis flowchart (on page 93)," and follow the appropriate diagnostic path. If the other flowcharts do not provide a troubleshooting solution, follow the diagnostic steps in "General diagnosis flowchart (on page 94)." The General diagnosis flowchart is a generic troubleshooting process to be used when the problem is not server-specific or is not easily categorized into the other flowcharts.



**IMPORTANT:** This guide provides information for multiple servers. Some information may not apply to the server you are troubleshooting. Refer to the server documentation for information on procedures, hardware options, software tools, and operating systems supported by the server.



**WARNING:** To avoid potential problems, **ALWAYS** read the warnings and cautionary information in the server documentation before removing, replacing, reseating, or modifying system components.

# Important safety information

Familiarize yourself with the safety information in the following sections before troubleshooting the server.



## Important safety information

Before servicing this product, read the *Important Safety Information* document provided with the server.

## Symbols on equipment

The following symbols may be placed on equipment to indicate the presence of potentially hazardous conditions.



This symbol indicates the presence of hazardous energy circuits or electric shock hazards. Refer all servicing to qualified personnel.

**WARNING:** To reduce the risk of injury from electric shock hazards, do not open this enclosure. Refer all maintenance, upgrades, and servicing to qualified personnel.



This symbol indicates the presence of electric shock hazards. The area contains no user or field serviceable parts. Do not open for any reason.

**WARNING:** To reduce the risk of injury from electric shock hazards, do not open this enclosure.



This symbol on an RJ-45 receptacle indicates a network interface connection.

**WARNING:** To reduce the risk of electric shock, fire, or damage to the equipment, do not plug telephone or telecommunications connectors into this receptacle.



This symbol indicates the presence of a hot surface or hot component. If this surface is contacted, the potential for injury exists.

**WARNING:** To reduce the risk of injury from a hot component, allow the surface to cool before touching.



20.41 - 27.22 kg  
47.18 - 60 lb

This symbol indicates that the component exceeds the recommended weight for one individual to handle safely.

**WARNING:** To reduce the risk of personal injury or damage to the equipment, observe local occupational health and safety requirements and guidelines for manual material handling.



These symbols, on power supplies or systems, indicate that the equipment is supplied by multiple sources of power.

**WARNING:** To reduce the risk of injury from electric shock, remove all power cords to completely disconnect power from the system.

## Warnings and cautions

- ⚠ WARNING:** Only authorized technicians trained by HP should attempt to repair this equipment. All troubleshooting and repair procedures are detailed to allow only subassembly/module-level repair. Because of the complexity of the individual boards and subassemblies, no one should attempt to make repairs at the component level or to make modifications to any printed wiring board. Improper repairs can create a safety hazard.
- ⚠ WARNING:** To reduce the risk of personal injury or damage to the equipment, be sure that:
- The leveling feet are extended to the floor.
  - The full weight of the rack rests on the leveling feet.
  - The stabilizing feet are attached to the rack if it is a single-rack installation.
  - The racks are coupled together in multiple-rack installations.
  - Only one component is extended at a time. A rack may become unstable if more than one component is extended for any reason.
- ⚠ WARNING:** To reduce the risk of electric shock or damage to the equipment:
- Do not disable the power cord grounding plug. The grounding plug is an important safety feature.
  - Plug the power cord into a grounded (earthed) electrical outlet that is easily accessible at all times.
  - Unplug the power cord from the power supply to disconnect power to the equipment.
  - Do not route the power cord where it can be walked on or pinched by items placed against it. Pay particular attention to the plug, electrical outlet, and the point where the cord extends from the server.



20.41 - 27.22 kg

47.18 - 60 lb

---

**WARNING:** To reduce the risk of personal injury or damage to the equipment:

- Observe local occupation health and safety requirements and guidelines for manual handling.
  - Obtain adequate assistance to lift and stabilize the chassis during installation or removal.
  - The server is unstable when not fastened to the rails.
  - When mounting the server in a rack, remove the power supplies and any other removable module to reduce the overall weight of the product.
- 

- ⚠ CAUTION:** To properly ventilate the system, you must provide at least 7.6 cm (3.0 in) of clearance at the front and back of the server.
- ⚠ CAUTION:** The server is designed to be electrically grounded (earthed). To ensure proper operation, plug the AC power cord into a properly grounded AC outlet only.

## Prepare the server for diagnosis

1. Be sure the server is in the proper operating environment with adequate power, air conditioning, and humidity control. Refer to the server documentation for required environmental conditions.
2. Record any error messages displayed by the system.
3. Remove all diskettes and CDs from the media drives.

4. Power down the server and peripheral devices if you will be diagnosing the server offline. Always perform an orderly shutdown, if possible. This means you must:
  - a. Exit any applications.
  - b. Exit the operating system.
  - c. Power down the server (on page 27).
5. Disconnect any peripheral devices not required for testing (any devices not necessary to power up the server). Do not disconnect the printer if you want to use it to print error messages.
6. Collect all tools and utilities, such as a Torx screwdriver, loopback adapters, ESD wrist strap, and software utilities, necessary to troubleshoot the problem.
  - You must have the appropriate Health Drivers and Management Agents installed on the server.



**NOTE:** To verify the server configuration, connect to the System Management homepage and select **Version Control Agent**. The VCA gives you a list of names and versions of all installed HP drivers, Management Agents, and utilities, and whether they are up to date.

- HP recommends you have access to the SmartStart CD for value-added software and drivers required during the troubleshooting process.
- HP recommends you have access to the server documentation for server-specific information.

## Symptom information

Before troubleshooting a server problem, collect the following information:

- What events preceded the failure? After which steps does the problem occur?
- What has been changed since the time the server was working?
- Did you recently add or remove hardware or software? If so, did you remember to change the appropriate settings in the server setup utility, if necessary?
- How long has the server exhibited problem symptoms?
- If the problem occurs randomly, what is the duration or frequency?

To answer these questions, the following information may be useful:

- Run HP Insight Diagnostics (on page 87) and use the survey page to view the current configuration or to compare it to previous configurations.
- Refer to your hardware and software records for information.
- Refer to server LEDs and their statuses.

## Service notifications

To view the latest service notifications, refer to the HP website (<http://www.hp.com/go/bizsupport>). Select the appropriate server model, and then click the **Troubleshoot a Problem** link on the product page.

## Loose connections

### Action:

- Be sure all power cords are securely connected.
- Be sure all cables are properly aligned and securely connected for all external and internal components.

- Remove and check all data and power cables for damage. Be sure no cables have bent pins or damaged connectors.
- If a fixed cable tray is available for the server, be sure the cords and cables connected to the server are correctly routed through the tray.
- Be sure each device is properly seated.
- If a device has latches, be sure they are completely closed and locked.
- Check any interlock or interconnect LEDs that may indicate a component is not connected properly.
- If problems continue to occur, remove and reinstall each device, checking the connectors and sockets for bent pins or other damage.

## Diagnostic steps

To effectively troubleshoot a problem, HP recommends that you start with the first flowchart in this section, "Start diagnosis flowchart (on page 93)," and follow the appropriate diagnostic path. If the other flowcharts do not provide a troubleshooting solution, follow the diagnostic steps in "General diagnosis flowchart (on page 94)." The General diagnosis flowchart is a generic troubleshooting process to be used when the problem is not server-specific or is not easily categorized into the other flowcharts.

The available flowcharts include:

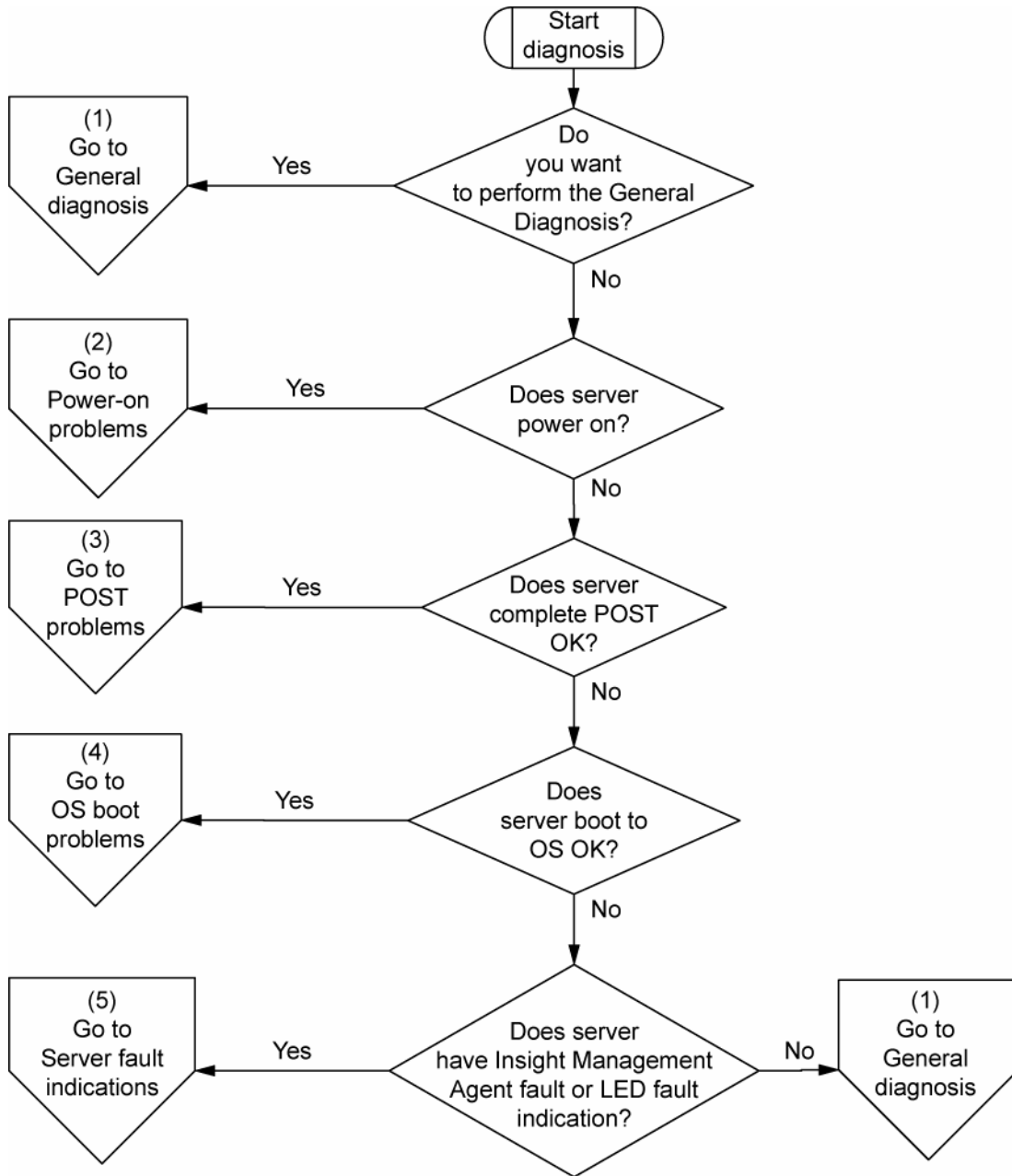
- Start diagnosis flowchart (on page 93)
- General diagnosis flowchart (on page 94)
- Power-on problems flowchart ("Server power-on problems flowchart" on page 96)
- POST problems flowchart (on page 99)
- OS boot problems flowchart (on page 100)
- Server fault indications flowchart (on page 102)

The number contained in parentheses in the flowchart boxes corresponds to a table with references to other detailed documents or troubleshooting instructions.

### Start diagnosis flowchart

Use the following flowchart to start the diagnostic process.

Item	Refer to
1	"General diagnosis flowchart (on page 94)"
2	"Power-on problems flowchart ("Server power-on problems flowchart" on page 96)"
3	"POST problems flowchart (on page 99)"
4	"OS boot problems flowchart (on page 100)"
5	"Server fault indications flowchart (on page 102)"

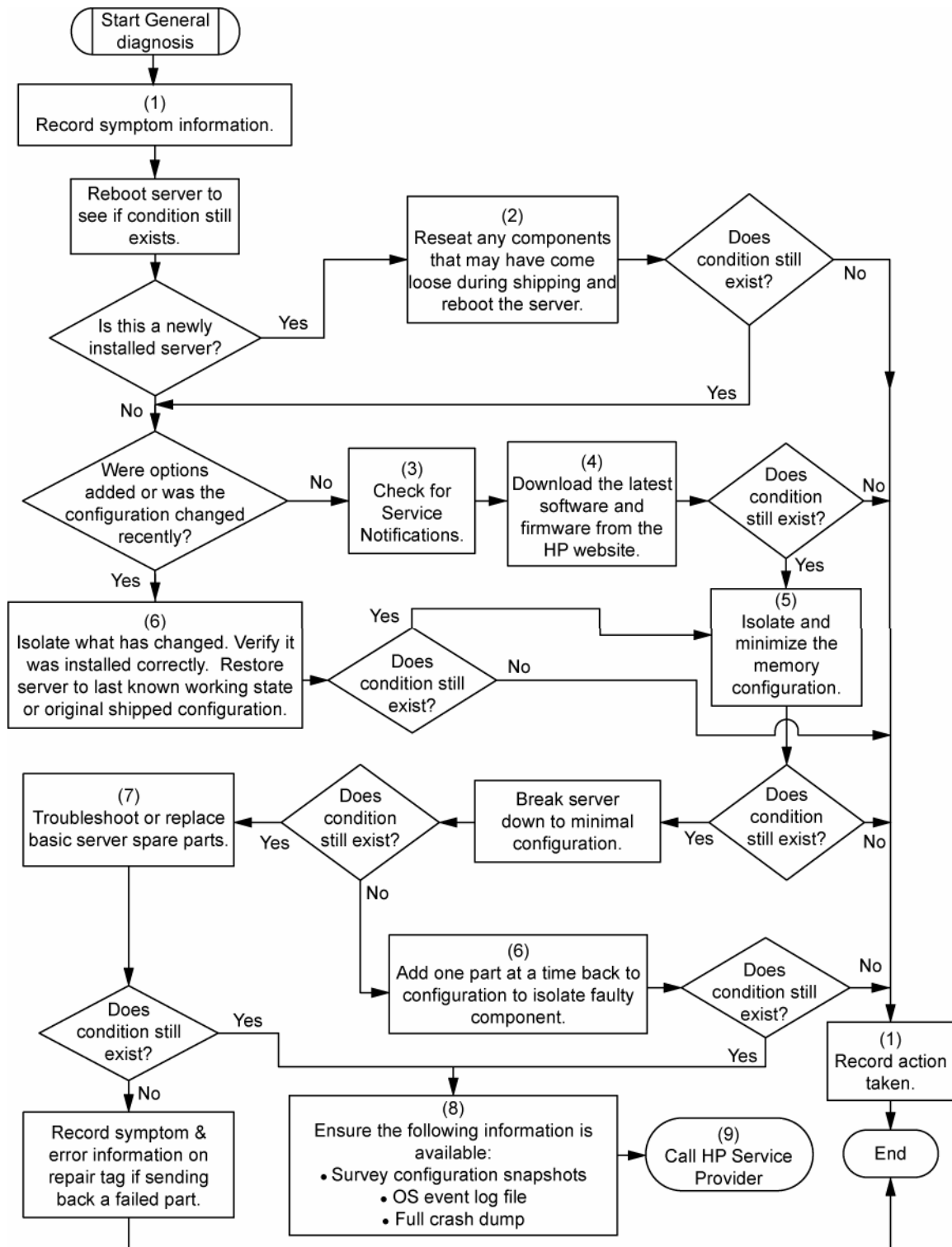


## General diagnosis flowchart

The General diagnosis flowchart provides a generic approach to troubleshooting. If you are unsure of the problem, or if the other flowcharts do not fix the problem, use the following flowchart.

Item	Refer to
1	"Symptom information (on page 92)"
2	"Loose connections (on page 92)"
3	"Service notifications (on page 92)"

Item	Refer to
4	<p>The most recent version of a particular server or option firmware is available on the following websites:</p> <ul style="list-style-type: none"> <li>• HP Support website (<a href="http://www.hp.com/support">http://www.hp.com/support</a>)</li> <li>• HP ROM-BIOS/Firmware Updates website (<a href="http://h18023.www1.hp.com/support/files/server/us/romflash.html">http://h18023.www1.hp.com/support/files/server/us/romflash.html</a>)</li> </ul>
5	<p>"General memory problems are occurring" in the <i>HP ProLiant Servers Troubleshooting Guide</i> located on the Documentation CD or on the HP website (<a href="http://www.hp.com/support">http://www.hp.com/support</a>)</p>
6	<p>Server maintenance and service guide, located on the Documentation CD or the HP website (<a href="http://www.hp.com/products/servers/platforms">http://www.hp.com/products/servers/platforms</a>)</p>
7	<ul style="list-style-type: none"> <li>• Server maintenance and service guide, located on the Documentation CD or the HP website (<a href="http://www.hp.com/products/servers/platforms">http://www.hp.com/products/servers/platforms</a>)</li> <li>• "Hardware problems" in the <i>HP ProLiant Servers Troubleshooting Guide</i> located on the Documentation CD or on the HP website (<a href="http://www.hp.com/support">http://www.hp.com/support</a>)</li> </ul>
8	<ul style="list-style-type: none"> <li>• "Server information you need" in the <i>HP ProLiant Servers Troubleshooting Guide</i> located on the Documentation CD or on the HP website (<a href="http://www.hp.com/support">http://www.hp.com/support</a>)</li> <li>• "Operating system information you need" in the <i>HP ProLiant Servers Troubleshooting Guide</i> located on the Documentation CD or on the HP website (<a href="http://www.hp.com/support">http://www.hp.com/support</a>)</li> </ul>
9	<p>"HP contact information (on page 114)"</p>



## Server power-on problems flowchart

Symptoms:

- The server does not power on.
- The system power LED is off or amber.
- The external health LED is red or amber.



- The internal health LED is red or amber.

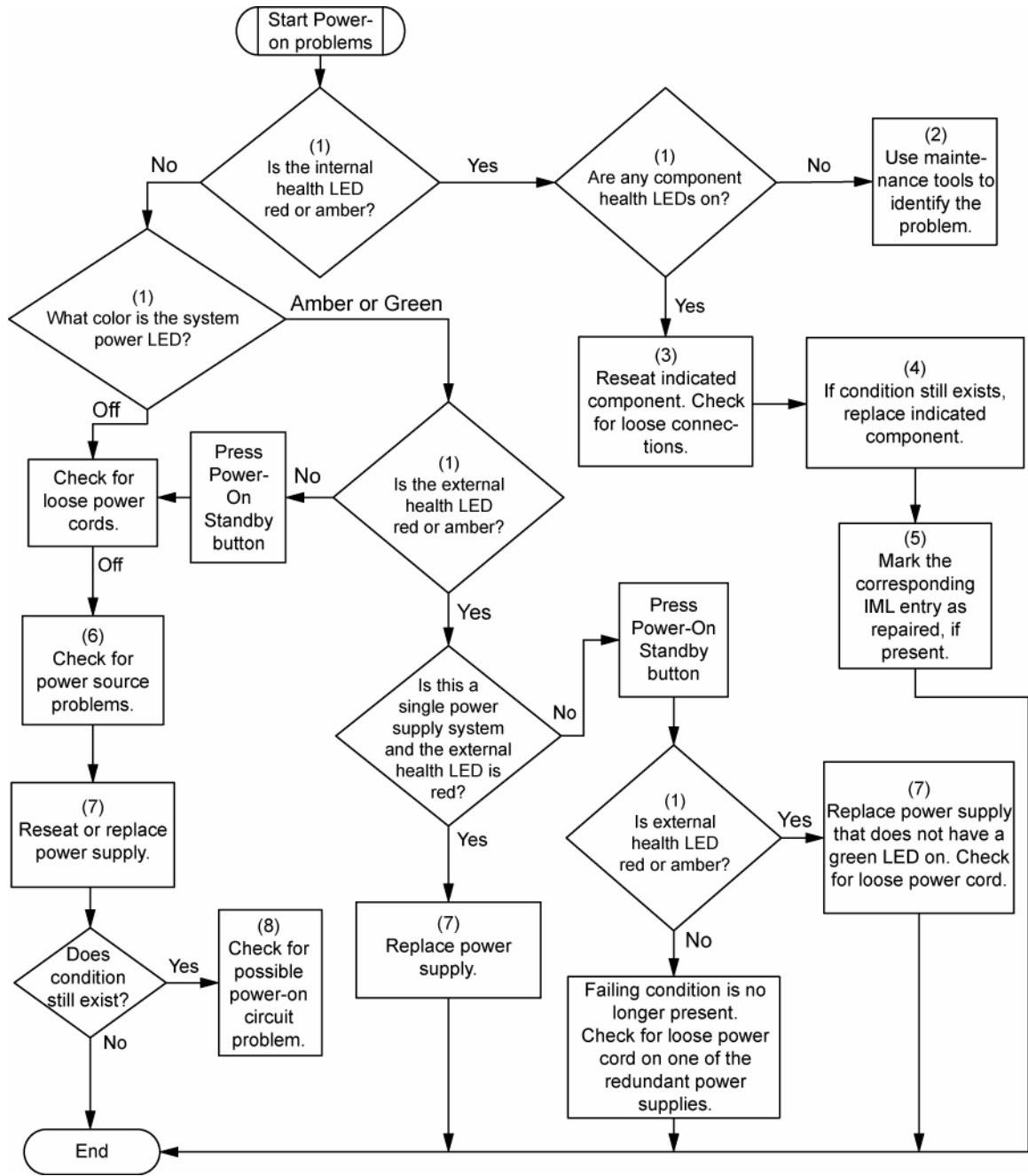


**NOTE:** For the location of server LEDs and information on their statuses, refer to the server documentation.

Possible causes:

- Improperly seated or faulty power supply
- Loose or faulty power cord
- Power source problem
- Power on circuit problem
- Improperly seated component or interlock problem
- Faulty internal component

Item	Refer to
1	"Component identification (on page 7)"
2	"HP Insight Diagnostics (on page 87)" or in the <i>HP ProLiant Servers Troubleshooting Guide</i> located on the Documentation CD or on the HP website ( <a href="http://www.hp.com/support">http://www.hp.com/support</a> )
3	"Loose connections (on page 92)"
4	Server maintenance and service guide, located on the Documentation CD, or the HP website ( <a href="http://www.hp.com/products/servers/platforms">http://www.hp.com/products/servers/platforms</a> )
5	"Integrated Management Log" or in the <i>HP ProLiant Servers Troubleshooting Guide</i> located on the Documentation CD or on the HP website ( <a href="http://www.hp.com/support">http://www.hp.com/support</a> )
6	"Power source problems" in the <i>HP ProLiant Servers Troubleshooting Guide</i> located on the Documentation CD or on the HP website ( <a href="http://www.hp.com/support">http://www.hp.com/support</a> )
7	<ul style="list-style-type: none"> <li>• "Power supply problems" in the <i>HP ProLiant Servers Troubleshooting Guide</i> located on the Documentation CD or on the HP website (<a href="http://www.hp.com/support">http://www.hp.com/support</a>)</li> <li>• Server maintenance and service guide, located on the Documentation CD, or the HP website (<a href="http://www.hp.com/products/servers/platforms">http://www.hp.com/products/servers/platforms</a>)</li> </ul>
8	"System open circuits and short circuits" in the <i>HP ProLiant Servers Troubleshooting Guide</i> located on the Documentation CD or on the HP website ( <a href="http://www.hp.com/support">http://www.hp.com/support</a> )



## POST problems flowchart

Symptoms:

- Server does not complete POST



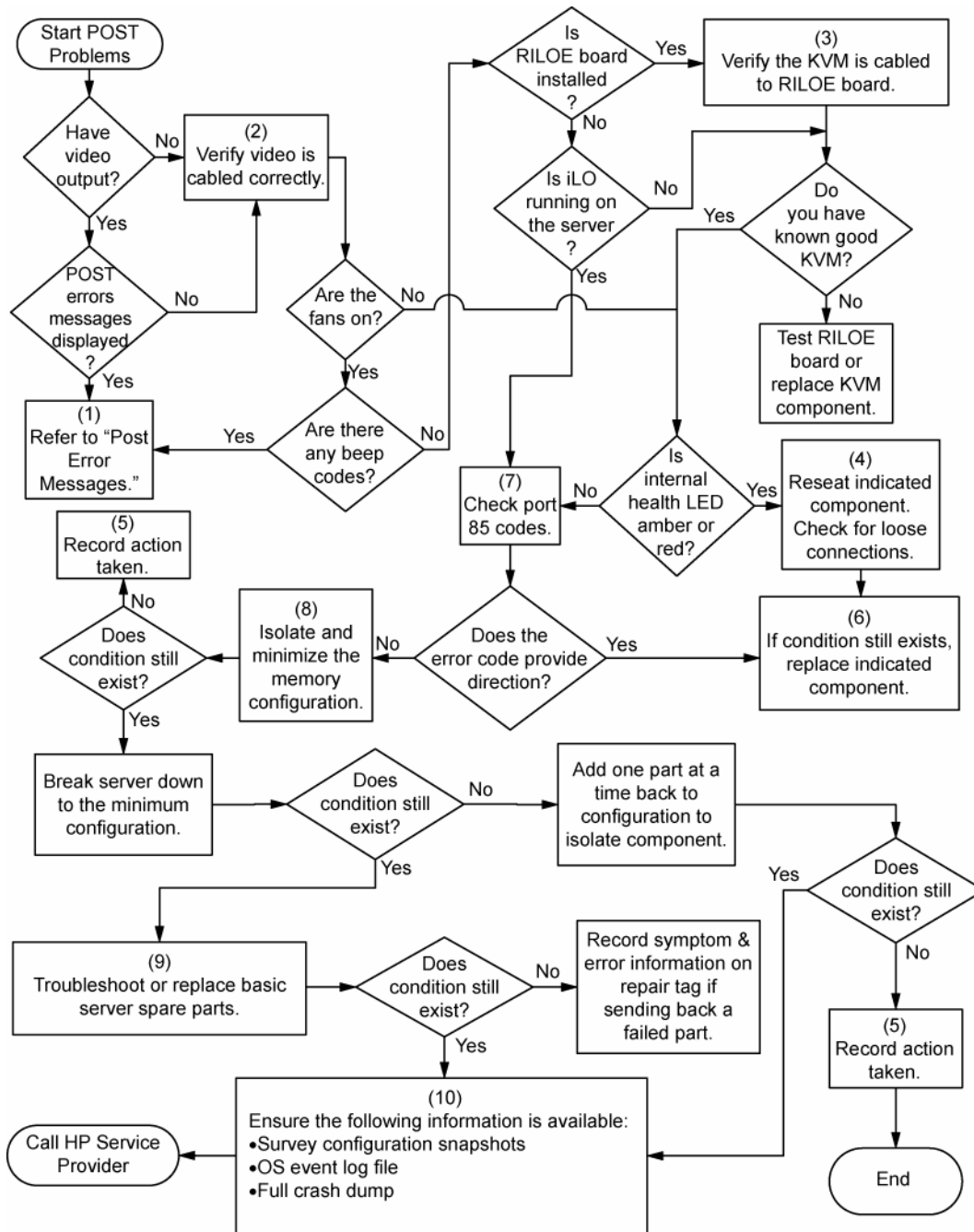
**NOTE:** The server has completed POST when the system attempts to access the boot device.

- Server completes POST with errors

Possible problems:

- Improperly seated or faulty internal component
- Faulty KVM device
- Faulty video device

Item	Refer to
1	"POST error messages and beep codes"
2	"Video problems" in the <i>HP ProLiant Servers Troubleshooting Guide</i> located on the Documentation CD or on the HP website ( <a href="http://www.hp.com/support">http://www.hp.com/support</a> )
3	KVM or RILOE documentation
4	"Loose connections (on page 92)"
5	"Symptom information (on page 92)"
6	Server maintenance and service guide, located on the Documentation CD or the HP website ( <a href="http://www.hp.com/products/servers/platforms">http://www.hp.com/products/servers/platforms</a> )
7	"Port 85 and iLO messages" in the <i>HP ProLiant Servers Troubleshooting Guide</i> located on the Documentation CD or on the HP website ( <a href="http://www.hp.com/support">http://www.hp.com/support</a> )
8	"General memory problems are occurring" in the <i>HP ProLiant Servers Troubleshooting Guide</i> located on the Documentation CD or on the HP website ( <a href="http://www.hp.com/support">http://www.hp.com/support</a> )
9	<ul style="list-style-type: none"> <li>• "Hardware problems" in the <i>HP ProLiant Servers Troubleshooting Guide</i> located on the Documentation CD or on the HP website (<a href="http://www.hp.com/support">http://www.hp.com/support</a>)</li> <li>• Server maintenance and service guide, located on the Documentation CD or the HP website (<a href="http://www.hp.com/products/servers/platforms">http://www.hp.com/products/servers/platforms</a>)</li> </ul>
10	<ul style="list-style-type: none"> <li>• "Server information you need" in the <i>HP ProLiant Servers Troubleshooting Guide</i> located on the Documentation CD or on the HP website (<a href="http://www.hp.com/support">http://www.hp.com/support</a>)</li> <li>• "Operating system information you need" in the <i>HP ProLiant Servers Troubleshooting Guide</i> located on the Documentation CD or on the HP website (<a href="http://www.hp.com/support">http://www.hp.com/support</a>)</li> </ul>



## OS boot problems flowchart

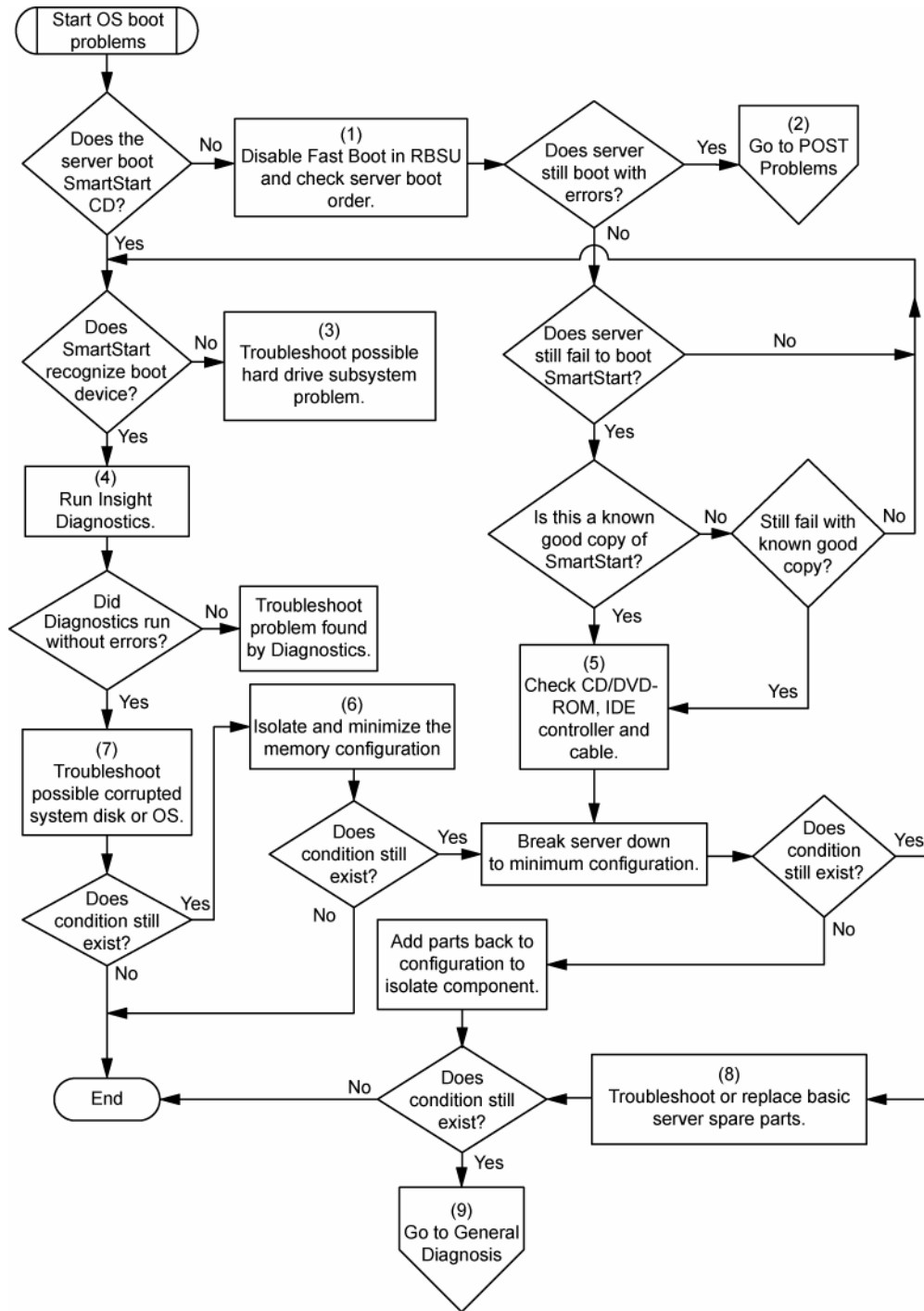
### Symptoms:

- Server does not boot a previously installed operating system
- Server does not boot SmartStart

### Possible causes:

- Corrupted operating system
- Hard drive subsystem problem
- Incorrect boot order setting in RBSU

Item	Refer to
1	HP ROM-Based Setup Utility User Guide ( <a href="http://www.hp.com/servers/smartstart">http://www.hp.com/servers/smartstart</a> )
2	"POST problems flowchart (on page 99)"
3	<ul style="list-style-type: none"> <li>• "Hard drive problems" in the <i>HP ProLiant Servers Troubleshooting Guide</i> located on the Documentation CD or on the HP website (<a href="http://www.hp.com/support">http://www.hp.com/support</a>)</li> <li>• Controller documentation</li> </ul>
4	"HP Insight Diagnostics (on page 87)" or in the <i>HP ProLiant Servers Troubleshooting Guide</i> located on the Documentation CD or on the HP website ( <a href="http://www.hp.com/support">http://www.hp.com/support</a> )
5	<ul style="list-style-type: none"> <li>• "CD-ROM and DVD drive problems" in the <i>HP ProLiant Servers Troubleshooting Guide</i> located on the Documentation CD or on the HP website (<a href="http://www.hp.com/support">http://www.hp.com/support</a>)</li> <li>• Controller documentation</li> <li>• "Loose connections (on page 92)"</li> </ul>
6	"General memory problems are occurring" in the <i>HP ProLiant Servers Troubleshooting Guide</i> located on the Documentation CD or on the HP website ( <a href="http://www.hp.com/support">http://www.hp.com/support</a> )
7	<ul style="list-style-type: none"> <li>• "Operating system problems" in the <i>HP ProLiant Servers Troubleshooting Guide</i> located on the Documentation CD or on the HP website (<a href="http://www.hp.com/support">http://www.hp.com/support</a>)</li> <li>• "HP contact information (on page 114)"</li> </ul>
8	<ul style="list-style-type: none"> <li>• "Hardware problems" in the <i>HP ProLiant Servers Troubleshooting Guide</i> located on the Documentation CD or on the HP website (<a href="http://www.hp.com/support">http://www.hp.com/support</a>)</li> <li>• Server maintenance and service guide, located on the Documentation CD or the HP website (<a href="http://www.hp.com/products/servers/platforms">http://www.hp.com/products/servers/platforms</a>)</li> </ul>
9	"General diagnosis flowchart (on page 94)"



## Server fault indications flowchart

Symptoms:

- Server boots, but a fault event is reported by Insight Management Agents (on page 84)
- Server boots, but the internal health LED, external health LED, or component health LED is red or amber

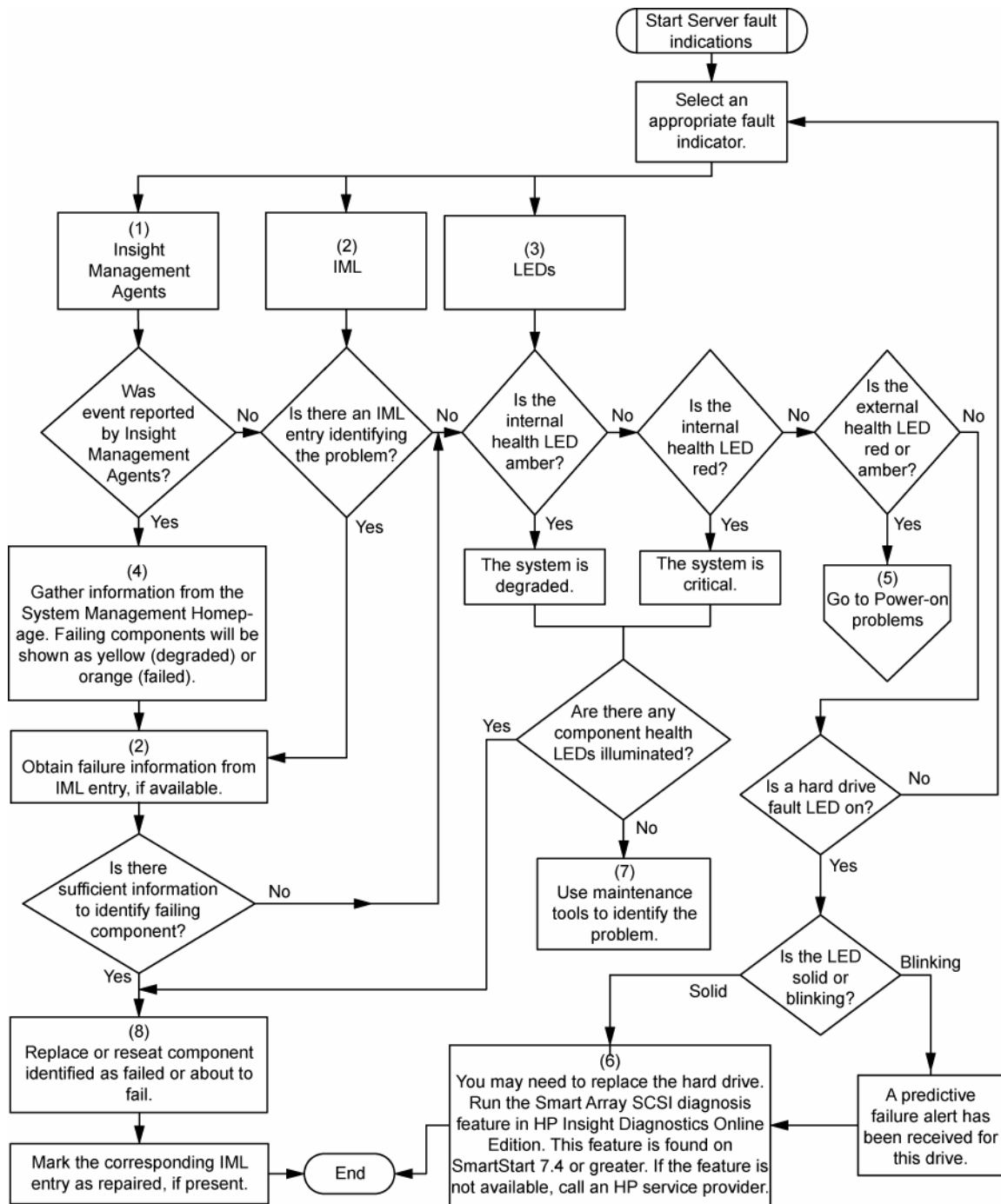


**NOTE:** For the location of server LEDs and information on their statuses, refer to the server documentation.

Possible causes:

- Improperly seated or faulty internal or external component
- Unsupported component installed
- Redundancy failure
- System overtemperature condition

Item	Refer to
1	"Management agents (on page 84)" or in the <i>HP ProLiant Servers Troubleshooting Guide</i> located on the Documentation CD or on the HP website ( <a href="http://www.hp.com/support">http://www.hp.com/support</a> )
2	<ul style="list-style-type: none"> <li>• "Integrated Management Log" or in the <i>HP ProLiant Servers Troubleshooting Guide</i> located on the Documentation CD or on the HP website (<a href="http://www.hp.com/support">http://www.hp.com/support</a>)</li> <li>• "Event list error messages" in the <i>HP ProLiant Servers Troubleshooting Guide</i> located on the Documentation CD or on the HP website (<a href="http://www.hp.com/support">http://www.hp.com/support</a>)</li> </ul>
3	"Component identification (on page 7)"
4	System Management Homepage ( <a href="https://localhost:2381">https://localhost:2381</a> )
5	"Power-on problems flowchart ("Server power-on problems flowchart" on page 96)"
6	<ul style="list-style-type: none"> <li>• "Smart Array SCSI Diagnosis feature" in the <i>HP ProLiant Servers Troubleshooting Guide</i> located on the Documentation CD or on the HP website (<a href="http://www.hp.com/support">http://www.hp.com/support</a>)</li> <li>• Server maintenance and service guide, located on the Documentation CD or the HP website (<a href="http://www.hp.com/products/servers/platforms">http://www.hp.com/products/servers/platforms</a>)</li> <li>• "HP contact information (on page 114)"</li> </ul>
7	"HP Insight Diagnostics (on page 87)" or in the <i>HP ProLiant Servers Troubleshooting Guide</i> located on the Documentation CD or on the HP website ( <a href="http://www.hp.com/support">http://www.hp.com/support</a> )
8	<ul style="list-style-type: none"> <li>• "Hardware problems" in the <i>HP ProLiant Servers Troubleshooting Guide</i> located on the Documentation CD or on the HP website (<a href="http://www.hp.com/support">http://www.hp.com/support</a>)</li> <li>• Server maintenance and service guide, located on the Documentation CD or the HP website (<a href="http://www.hp.com/products/servers/platforms">http://www.hp.com/products/servers/platforms</a>)</li> </ul>





# Battery replacement

If the server no longer automatically displays the correct date and time, you may need to replace the battery that provides power to the real-time clock. Under normal use, battery life is 5 to 10 years.

**⚠ WARNING:** The computer contains an internal lithium manganese dioxide, a vanadium pentoxide, or an alkaline battery pack. A risk of fire and burns exists if the battery pack is not properly handled. To reduce the risk of personal injury:

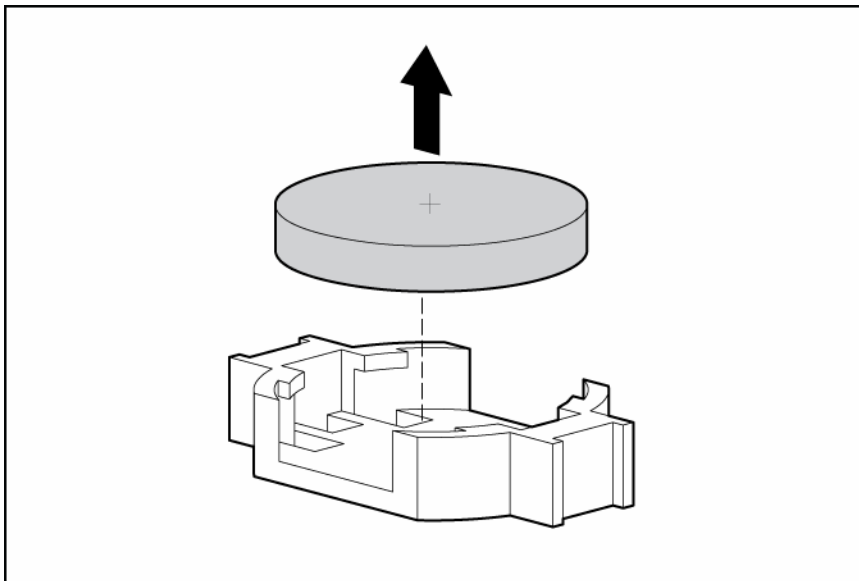
- Do not attempt to recharge the battery.
- Do not expose the battery to temperatures higher than 60°C (140°F).
- Do not disassemble, crush, puncture, short external contacts, or dispose of in fire or water.
- Replace only with the spare designated for this product.

To remove the component:

1. Power down the server (on page 27).
2. Extend or remove the server from the rack ("Extend the server from the rack" on page 28).
3. Remove the access panel ("Removing the access panel" on page 29).
4. Remove the PCI riser cage ("Removing the PCI riser cage" on page 57).

**⚠ CAUTION:** To prevent damage to the server or expansion boards, power down the server and remove all AC power cords before removing or installing the PCI riser cage.

5. Remove the battery.



**📌 IMPORTANT:** Replacing the system board battery resets the system ROM to its default configuration. After replacing the battery, reconfigure the system through RBSU.

To replace the component, reverse the removal procedure.

For more information about battery replacement or proper disposal, contact an authorized reseller or an authorized service provider.

---

# Regulatory compliance notices

## In this section

Regulatory compliance identification numbers.....	106
Federal Communications Commission notice .....	106
Declaration of conformity for products marked with the FCC logo, United States only.....	106
Modifications.....	107
Cables .....	107
Canadian notice .....	107
European Union regulatory notice .....	107
Disposal of waste equipment by users in private households in the European Union .....	108
Japanese notice .....	108
BSMI notice .....	108
Korean class A notice .....	109
Laser compliance .....	109
Taiwan battery recycling notice.....	109
Power cord statement for Japan .....	110

## Regulatory compliance identification numbers

For the purpose of regulatory compliance certifications and identification, this product has been assigned a unique regulatory model number. The regulatory model number can be found on the product nameplate label, along with all required approval markings and information. When requesting compliance information for this product, always refer to this regulatory model number. The regulatory model number is not the marketing name or model number of the product.

## Federal Communications Commission notice

This equipment has been tested and found to comply with the limits for a Class A digital device, pursuant to Part 15 of the FCC Rules. These limits are designed to provide reasonable protection against harmful interference when the equipment is operated in a commercial environment. This equipment generates, uses, and can radiate radio frequency energy and, if not installed and used in accordance with the instructions, may cause harmful interference to radio communications. Operation of this equipment in a residential area is likely to cause harmful interference, in which case the user will be required to correct the interference at personal expense.

## Declaration of conformity for products marked with the FCC logo, United States only

This device complies with Part 15 of the FCC Rules. Operation is subject to the following two conditions: (1) this device may not cause harmful interference, and (2) this device must accept any interference received, including interference that may cause undesired operation.

For questions regarding this product, contact us by mail or telephone:

- Hewlett-Packard Company  
P. O. Box 692000, Mail Stop 530113  
Houston, Texas 77269-2000
- 1-800-HP-INVENT (1-800-474-6836). (For continuous quality improvement, calls may be recorded or monitored.)

For questions regarding this FCC declaration, contact us by mail or telephone:

- Hewlett-Packard Company  
P. O. Box 692000, Mail Stop 510101  
Houston, Texas 77269-2000
- 1-281-514-3333

To identify this product, refer to the part, series, or model number found on the product.

## Modifications

The FCC requires the user to be notified that any changes or modifications made to this device that are not expressly approved by Hewlett-Packard Company may void the user's authority to operate the equipment.

## Cables

Connections to this device must be made with shielded cables with metallic RFI/EMI connector hoods in order to maintain compliance with FCC Rules and Regulations.

## Canadian notice

This Class A digital apparatus meets all requirements of the Canadian Interference-Causing Equipment Regulations.

Cet appareil numérique de la classe A respecte toutes les exigences du Règlement sur le matériel brouilleur du Canada.

## European Union regulatory notice

This product complies with the following EU Directives:

- Low Voltage Directive 73/23/EEC
- EMC Directive 89/336/EEC

Compliance with these directives implies conformity to applicable harmonized European standards (European Norms) which are listed on the EU Declaration of Conformity issued by Hewlett-Packard for this product or product family.

This compliance is indicated by the following conformity marking placed on the product:



This marking is valid for non-Telecom products and EU harmonized Telecom products (e.g. Bluetooth).



This marking is valid for EU non-harmonized Telecom products.

\*Notified body number (used only if applicable—refer to the product label)

## Disposal of waste equipment by users in private households in the European Union



This symbol on the product or on its packaging indicates that this product must not be disposed of with your other household waste. Instead, it is your responsibility to dispose of your waste equipment by handing it over to a designated collection point for the recycling of waste electrical and electronic equipment. The separate collection and recycling of your waste equipment at the time of disposal will help to conserve natural resources and ensure that it is recycled in a manner that protects human health and the environment. For more information about where you can drop off your waste equipment for recycling, please contact your local city office, your household waste disposal service or the shop where you purchased the product.

## Japanese notice

ご使用になっている装置にVCCIマークが付いていましたら、次の説明文をお読み下さい。

この装置は、情報処理装置等電波障害自主規制協議会（VCCI）の基準に基づくクラスB情報技術装置です。この装置は、家庭環境で使用することを目的としていますが、この装置がラジオやテレビジョン受信機に近接して使用されると、受信障害を引き起こすことがあります。

取扱説明書に従って正しい取り扱いをして下さい。

VCCIマークが付いていない場合には、次の点にご注意下さい。

この装置は、情報処理装置等電波障害自主規制協議会（VCCI）の基準に基づくクラスA情報技術装置です。この装置を家庭環境で使用すると電波妨害を引き起こすことがあります。この場合には使用者が適切な対策を講ずるよう要求されることがあります。

## BSMI notice

### 警告使用者:

這是甲類的資訊產品，在居住的環境中使用時，可能會造成射頻干擾，在這種情況下，使用者會被要求採取某些適當的對策。

## Korean class A notice

### A급 기기 (업무용 정보통신기기)

이 기기는 업무용으로 전자파적합등록을 한 기기이오니 판매자 또는 사용자는 이 점을 주의하시기 바라며, 만약 잘못판매 또는 구입하였을 때에는 가정용으로 교환하시기 바랍니다.

## Laser compliance

This product may be provided with an optical storage device (that is, CD or DVD drive) and/or fiber optic transceiver. Each of these devices contains a laser that is classified as a Class 1 Laser Product in accordance with US FDA regulations and the IEC 60825-1. The product does not emit hazardous laser radiation.

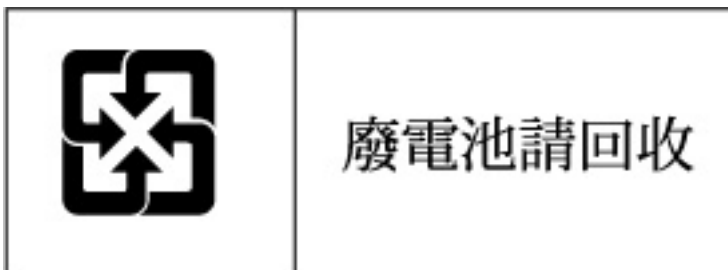
Each laser product complies with 21 CFR 1040.10 and 1040.11 except for deviations pursuant to Laser Notice No. 50, dated May 27, 2001; and with IEC 60825-1:1993/A2:2001.

- ⚠ WARNING: Use of controls or adjustments or performance of procedures other than those specified herein or in the laser product's installation guide may result in hazardous radiation exposure. To reduce the risk of exposure to hazardous radiation:**
- **Do not try to open the module enclosure. There are no user-serviceable components inside.**
  - **Do not operate controls, make adjustments, or perform procedures to the laser device other than those specified herein.**
  - **Allow only HP Authorized Service technicians to repair the unit.**

The Center for Devices and Radiological Health (CDRH) of the U.S. Food and Drug Administration implemented regulations for laser products on August 2, 1976. These regulations apply to laser products manufactured from August 1, 1976. Compliance is mandatory for products marketed in the United States.

## Taiwan battery recycling notice

The Taiwan EPA requires dry battery manufacturing or importing firms in accordance with Article 15 of the Waste Disposal Act to indicate the recovery marks on the batteries used in sales, giveaway or promotion. Contact a qualified Taiwanese recycler for proper battery disposal.



## Power cord statement for Japan

製品には、同梱された電源コードをお使い下さい。  
同梱された電源コードは、他の製品では使用出来ません。

---

# Electrostatic discharge

## In this section

Preventing electrostatic discharge.....	111
Grounding methods to prevent electrostatic discharge .....	111

## Preventing electrostatic discharge

To prevent damaging the system, be aware of the precautions you need to follow when setting up the system or handling parts. A discharge of static electricity from a finger or other conductor may damage system boards or other static-sensitive devices. This type of damage may reduce the life expectancy of the device.

To prevent electrostatic damage:

- Avoid hand contact by transporting and storing products in static-safe containers.
- Keep electrostatic-sensitive parts in their containers until they arrive at static-free workstations.
- Place parts on a grounded surface before removing them from their containers.
- Avoid touching pins, leads, or circuitry.
- Always be properly grounded when touching a static-sensitive component or assembly.

## Grounding methods to prevent electrostatic discharge

Several methods are used for grounding. Use one or more of the following methods when handling or installing electrostatic-sensitive parts:

- Use a wrist strap connected by a ground cord to a grounded workstation or computer chassis. Wrist straps are flexible straps with a minimum of 1 megohm  $\pm 10$  percent resistance in the ground cords. To provide proper ground, wear the strap snug against the skin.
- Use heel straps, toe straps, or boot straps at standing workstations. Wear the straps on both feet when standing on conductive floors or dissipating floor mats.
- Use conductive field service tools.
- Use a portable field service kit with a folding static-dissipating work mat.

If you do not have any of the suggested equipment for proper grounding, have an authorized reseller install the part.

For more information on static electricity or assistance with product installation, contact an authorized reseller.

# Specifications

## In this section

Server specifications .....	112
Environmental specifications .....	112

## Server specifications

<b>Dimensions</b>	
Height	8.59 cm (3.38 in)
Depth	66.07 cm (26.01 in)
Width	44.54 cm (17.54 in)
Weight (maximum)	27.22 kg (60 lb)
Weight (no drives installed)	20.41 kg (47.18 lb)
<b>Input requirements</b>	
Rated input voltage	100 - 132 VAC, 200 - 240 VAC
Rated input frequency	50 Hz to 60 Hz
Rated input current	7.5 A (100 VAC), 3.8 A (200 VAC)
Rated input power	735 W
BTUs per hour	2508
<b>Power supply output</b>	
Rated steady-state power	575 W
Maximum peak power	575 W

## Environmental specifications

Specification	Value
<b>Temperature range*</b>	
Operating	10°C to 35°C (50°F to 95°F)
Shipping	-30°C to 50°C (-22°F to 122°F)
Storage	-40°C to 70°C (-40°F to 158°F)
Maximum wet bulb temperature	28°C (82.4°F)
<b>Relative humidity (noncondensing)**</b>	
Operating	10% to 90%
Non-operating	5% to 95%



\* All temperature ratings shown are for sea level. An altitude derating of 1°C per 300 m (1.8°F per 1,000 ft) to 3048 m (10,000 ft) is applicable. No direct sunlight allowed.

\*\* Storage maximum humidity of 95% is based on a maximum temperature of 45°C (113°F). Altitude maximum for storage corresponds to a pressure minimum of 70 KPa.

---

# Technical support

## In this section

Before you contact HP.....	114
HP contact information.....	114
Customer self repair .....	114

## Before you contact HP

Be sure to have the following information available before you call HP:

- Technical support registration number (if applicable)
- Product serial number
- Product model name and number
- Applicable error messages
- Add-on boards or hardware
- Third-party hardware or software
- Operating system type and revision level

## HP contact information

For the name of the nearest HP authorized reseller:

- In the United States, refer to the HP US service locator webpage ([http://www.hp.com/service\\_locator](http://www.hp.com/service_locator)).
- In other locations, refer to the HP website (<http://www.hp.com>).

For HP technical support:

- In North America:
  - Call 1-800-HP-INVENT (1-800-474-6836). This service is available 24 hours a day, 7 days a week. For continuous quality improvement, calls may be recorded or monitored.
  - If you have purchased a Care Pack (service upgrade), call 1-800-633-3600. For more information about Care Packs, refer to the HP website (<http://www.hp.com>).
- Outside North America, call the nearest HP Technical Support Phone Center. For telephone numbers for worldwide Technical Support Centers, refer to the HP website (<http://www.hp.com>).

## Customer self repair

What is customer self repair?

HP's customer self-repair program offers you the fastest service under either warranty or contract. It enables HP to ship replacement parts directly to you so that you can replace them. Using this program, you can replace parts at your own convenience.

A convenient, easy-to-use program:

- An HP support specialist will diagnose and assess whether a replacement part is required to address a system problem. The specialist will also determine whether you can replace the part.
- For specific information about customer replaceable parts, refer to the maintenance and service guide on the HP website (<http://www.hp.com/support>).

---

# Acronyms and abbreviations

## ABEND

abnormal end

## ACU

Array Configuration Utility

## ASR

Automatic Server Recovery

## BBWC

battery-backed write cache

## DDR

double data rate

## DIMM

dual inline memory module

## ECC

error checking and correcting

## IEC

International Electrotechnical Commission

## iLO

Integrated Lights-Out

## IML

Integrated Management Log

## IPL

initial program load

## IRQ

interrupt request

## MPS

multi-processor specification

## NEMA

National Electrical Manufacturers Association

## NFPA

National Fire Protection Association

## NIC

network interface controller

## NMI

non-maskable interrupt

## NVRAM

non-volatile memory

## ORCA

Option ROM Configuration for Arrays

## PCI-X

peripheral component interconnect extended

## PDU

power distribution unit

## POST

Power-On Self Test

## PPM

processor power module

## PSP

ProLiant Support Pack

## PXE

Preboot Execution Environment

## RBSU

ROM-Based Setup Utility

## RILOE II

Remote Insight Lights-Out Edition II

## SDRAM

synchronous dynamic RAM

## SIM

Systems Insight Manager

## TMRA

recommended ambient operating temperature

## UID

unit identification

## USB

universal serial bus

## VHDCI

very high density cable interconnect

## WOL

Wake-on LAN

---

# Index

## A

- AC power supply 11
- access panel 29
- ACU (Array Configuration Utility) 81
- ADU (Array Diagnostic Utility) 87
- Altiris Deployment Solution 82
- Altiris eXpress Deployment Server 82
- array configuration 43, 81
- Array Configuration Utility (ACU) 81
- Array Diagnostic Utility (ADU) 87
- ASR (Automatic Server Recovery) 83, 116
- authorized reseller 114
- auto-configuration process 80
- Automatic Server Recovery (ASR) 83, 116
- Autorun menu 79

## B

- battery 13, 105
- BIOS upgrade 83
- blue screen event 13
- BSMI notice 108
- buttons 7, 9, 11, 23

## C

- cable management arm 30, 34
- cables 92, 107
- cabling 64, 66, 68, 69, 70, 71, 73, 74, 75, 76, 77
- Care Pack 31, 88
- cautions 91
- CD-ROM drive 65
- Change Control 88
- chassis ID switch 13
- component identification 7, 13
- components 7
- configuration of system 37, 79
- connection problems 92
- connectors 7
- contacting HP 114
- crash dump analysis 13
- creating a disk image 82

## D

- DC power supply 11
- deployment software 82
- diagnosing problems 89, 91, 93
- diagnostic steps 89, 93
- diagnostic tools 79, 82, 83, 86, 87
- diagnostics utility 87
- DIMM slot LEDs 15, 18
- DIMM slots 13
- DIMMs 43
- diskette drive 75
- diskette drive connectors 15
- diskette image creation 82
- drive LEDs 18, 19
- drivers 87
- drives, configuring 43
- duplex SCSI hard drive configuration 44, 69
- DVD-ROM drive connectors 15

## E

- electrical grounding requirements 33
- electrostatic discharge 111
- environmental requirements 32
- European Union notice 107
- expansion boards 61
- expansion slot covers, removing 58, 59
- expansion slot LEDs 11, 22, 23
- extending server from rack 28
- external health LED 9

## F

- fan brackets 53
- fan connectors 12
- fan LED 15, 18, 24
- fan zones 19
- fans 23, 24, 52
- features 7
- Federal Communications Commission (FCC)
  - notice 106, 107
- flash ROM 83
- flowcharts 93, 94, 96, 99, 100, 102

front panel buttons 9  
front panel LEDs 9

## G

grounding methods 111  
grounding requirements 33

## H

hard drive LEDs 18, 19, 20  
hard drives 18, 19, 43, 45  
hard drives, determining status of 18, 19  
hardware options installation 34, 38  
health driver 18, 83  
health LEDs 9, 13, 18  
HP Insight Diagnostics 87  
HP ProLiant Essentials Foundation Pack 37, 84  
HP ProLiant Essentials Rapid Deployment Pack 82  
HP Systems Insight Manager, overview 84  
HP Technical Support 114

## I

identification number, server 106  
iLO (Integrated Lights-Out) 84  
iLO connector 10, 34  
iLO RBSU (Integrated Lights-Out ROM-Based Setup Utility) 85  
IML (Integrated Management Log) 87  
Important Safety Information document 90  
Insight Diagnostics 87  
installation services 31  
installation, server options 34, 38  
installing hardware 38  
Integrated Lights-Out (iLO) 84  
Integrated Lights-Out ROM-Based Setup Utility (iLO RBSU) 85  
internal health LED 9, 16

## J

Japanese notice 108

## K

keyboard connector 10

## L

laser devices 109  
LEDs 7, 9, 11, 13, 15, 16, 18, 19, 21, 22, 23  
LEDs, hard drive 18, 19

LEDs, troubleshooting 89, 93  
loose connections 92

## M

Management Agents 84  
management tools 83  
memory 42, 43, 81  
memory dump 13  
memory slot LEDs 15  
memory slots 13  
mouse connector 10, 34

## N

Natural Language Search Assistant 88  
network connector LEDs 11  
NIC (network interface controller) 117  
NIC connectors 10  
NIC LEDs 9  
NMI switch 13

## O

Online ROM Flash Component Utility 83  
online spare memory 42, 81  
online spare memory LED 15  
operating system crash 13  
operating systems 37, 88  
optimum environment 32  
Option ROM Configuration for Arrays (ORCA) 82  
options installation 34, 38  
ORCA (Option ROM Configuration for Arrays) 82  
OS boot problems flowchart 100  
overtemperature LED 15, 19

## P

PCI array controllers, cabling 70, 71  
PCI Hot Plug backplane cabling 67  
PCI Hot Plug features 61  
PCI Hot Plug LEDs 11, 23  
PCI riser cage 22, 56  
PCI riser cage connector 12  
PCI riser cage LED 22  
phone numbers 114  
POST problems flowchart 99  
power button cabling 76  
power button/LED system connector 15  
power connectors, internal 15  
power converter module LED 25  
power cord 91, 110



- power cord connector 10, 34
- power distribution unit 33
- power LEDs, system 9
- Power On/Standby button 9, 27, 76
- power requirements 33
- power supplies 11
- power supply LEDs 11, 25
- power supply signal connector 12
- powering up 27, 80
- PPM failure LEDs 15, 19
- PPM slots 12
- problem diagnosis 89, 93
- processor failure LEDs 15
- processors 12
- ProLiant Support Packs 88
- PSPs, overview 88

## R

- rack installation 31, 34
- rack mounting hardware 34
- rack resources 32
- rack stability 91
- rack warnings 34, 91
- RBSU (ROM-Based Setup Utility) 80
- rear components 10
- rear panel buttons 11
- rear panel LEDs 11
- redundant ROM 84
- registering the server 37
- regulatory compliance notices 106, 107
- Remote Insight Lights-Out Edition board 22, 67
- remote management connector 22
- required information 114
- resetting the system 13
- Resource Paqs 88
- RILOE II (Remote Insight Lights-Out Edition II) 22, 67, 70
- riser interlock LED 15
- RJ-45 network connector LEDs 11
- ROM redundancy 84
- ROM, updating 83
- ROMPaq utility 83, 84

## S

- safety considerations 34, 90
- SAS backplane 15
- SAS backplane components 15
- SAS connector 15
- SAS drive numbers 46

- SAS hard drive LEDs 20
- scripted installation 79
- SCSI backplane components 14
- SCSI backplane LEDs 18
- SCSI cabling 68
- SCSI connectors 15
- SCSI IDs 43, 44
- SCSI terminator 73
- serial connector 10, 34
- serial number 82
- series number 106
- server features and options 38
- server, front panel LEDs 9
- server, rear panel LEDs 11
- service notifications 92
- shipping carton contents 34
- simplex SCSI hard drive configuration 44, 70
- SmartStart autorun menu 79
- SmartStart Scripting Toolkit 79
- SmartStart software 37
- SmartStart, overview 79
- start diagnosis flowchart 93
- static electricity 111
- StorageWorks Library and Tape Tools (L&TT) 84
- support 114
- support packs 79
- supported operating systems 88
- Survey Utility 86
- symbols on equipment 90
- system board components 10
- system board LEDs 15, 16
- system maintenance switch 10, 12, 13
- system power LED 9
- Systems Insight Manager 84

## T

- Taiwan battery recycling notice 109
- technical support 114
- telephone numbers 114
- temperature requirements 33
- temperature, overtemperature LED 15, 19
- troubleshooting 89
- troubleshooting sequence 89, 93

## U

- UID LEDs 9, 11
- updating the system ROM 84
- USB connectors 34, 74
- USB devices 74

USB support 86  
utilities 79, 80, 81, 82, 83, 84, 85, 86, 87  
utilities, deployment 79, 80, 82

## **V**

ventilation 32  
VHDCI SCSI connector 10, 34  
video connector 10, 34

## **W**

warnings 34, 91