

**hp 9000 rp4440**  
**Operation and Maintenance Guide**

**Regulatory Model Number: RSVLA-0201**



**Manufacturing Part Number: rp4440\_OpMaint**  
**January 2004**

U.S.A.

© Copyright 2004 Hewlett-Packard Development Company, L.P..

---

## Legal Notices

**Copyright Notices.** ©Copyright 2004 Hewlett-Packard Development Company, L.P.

The information contained herein is subject to change without notice. The only warranties for HP products and services are set forth in the express warranty statements accompanying such products and services. Nothing herein should be construed as constituting an additional warranty. HP shall not be liable for technical or editorial errors or omissions contained herein.

Adobe and Acrobat are trademarks of Adobe Systems Incorporated. HP-UX Release 10.20 and later and HP-UX Release 11.00 and later (in both 32 and 64-bit configurations) on all HP 9000 computers are Open Group UNIX 95 branded products. Itanium is a trademark or registered trademark of Intel Corporation or its subsidiaries in the United States and other countries. Linux is a registered trademark of Linus Torvalds. UNIX is a registered trademark of The Open Group. Windows is a registered trademark of Microsoft Corporation.

Printed in the U.S.A.

Reproduction, adaptation, or translation of this document without prior written permission is prohibited, except as allowed under the copyright laws.

**Related Documents.** The *HP Server Documentation CD-ROM* has been provided with your server. It contains a complete documentation set for the server, including localized versions of key documents. Included on the CD-ROM are the *Site Preparation* and *Operations and Maintenance* guides, which contain in-depth troubleshooting, installation, and repair information.

The CD will autorun when you insert it into a Windows® workstation, or, point your browser at the index.htm file located under the **Start** directory of the CD. All users, including UNIX®/Linux, can access a complete manual set by viewing the directory **manuals**. The manuals are in Adobe® Acrobat® Reader (pdf) format.

In addition, the latest versions of these documents, and any updates to these documents, are posted under the appropriate server at <http://docs.hp.com>.

For online access to technical support information, self-solve tools, online assistance, community forums of IT experts, broad multivendor knowledge base, and monitoring and diagnostic tools, go to <http://www.hp.com/support>.

**1. About This Document**

What's in This Document .....	13
Typographical Conventions .....	13
Related Documents .....	14
HP Encourages Your Comments .....	14

**2. Controls, Ports, and Indicators**

Introduction .....	15
Front Panel .....	15
Switch/Button and Front Control Panel LED Definitions .....	18
Additional Controls and Indicators .....	18
Hot-Plug Disk Drive Indicators .....	18
DVD-ROM/DVD-R/DVD-RW Drives .....	19
QuickFind Diagnostic Panel .....	20
Rear Panel .....	24
Power Supply Status LEDs .....	24
Management Processor LAN LEDs .....	25
Locator LED and Button .....	26
Gigabit Ethernet Card LAN LEDs .....	26

**3. External Connectors**

Connector Pinouts .....	29
Universal Serial Bus (USB) Ports .....	30
VGA Port .....	30
Serial Ports .....	31
Management Processor LAN Port .....	32
Additional Ports on Accessory Boards .....	33

**4. Installing Additional Components and Configuring**

Installing Power Supplies and Disk Drives .....	37
Installing Hot-Swap Power Supply Units (PSU) .....	37
Installing Hot-Plug Disk Drives .....	41
Installing Processors and Memory .....	43
Installing Processors .....	44
Installing Memory .....	50
Hot-Plug PCI/PCI-X .....	56
Hot-Plug PCI/PCI-X Operations .....	56
PCI/PCI-X Hardware and Software Interfaces .....	56
PCI/PCI-X Slot Locations and Configurations .....	57
Hot-Plug Operation Procedures .....	60
Understanding LEDs and Hardware Errors .....	67
Converting SCSI From Simplex to Duplex .....	69
Safety Information .....	69
Accessing the SCSI Backplane Board .....	69
Convert to Duplex .....	71
Replacing the Removed Modules .....	75

---

# Contents

Core I/O Connections . . . . .	76
Management Processor (MP) . . . . .	77
Accessing the Management Processor . . . . .	77
Configuring Management Processor LAN Information . . . . .	79
Management Processor Commands . . . . .	81
Booting the Server . . . . .	83

## 5. Utilities

Boot Console Handler (BCH) . . . . .	85
BCH Commands . . . . .	85
Management Processor . . . . .	91
Accessing the Management Processor . . . . .	91
Management Processor Command Interface . . . . .	92
MP Welcome Screen . . . . .	92
Management Processor Commands . . . . .	93
Reset BMC Passwords . . . . .	94
Configure Serial Port Parameters . . . . .	94
Certificate Generate . . . . .	95
Console Log . . . . .	95
Command Mode . . . . .	95
Console . . . . .	95
Connect to Service Processor . . . . .	96
Date . . . . .	96
Default Configuration . . . . .	96
Display FRUID . . . . .	96
Disconnect Remote or LAN Console . . . . .	96
Front Panel Process . . . . .	97
MP Firmware Update . . . . .	97
Help . . . . .	97
Display System ID . . . . .	97
Inactivity Timeout . . . . .	97
Configure LAN Console . . . . .	97
LAN Status . . . . .	98
Return to Main Menu . . . . .	98
Modem Reset . . . . .	98
Modem Status . . . . .	98
Power Control . . . . .	98
Configure Paging . . . . .	99
Power Status . . . . .	99
Reset BMC . . . . .	99
Reset System . . . . .	99
Set Access . . . . .	99
Create Local Session . . . . .	99
Display Logs . . . . .	100
Security Options . . . . .	101
Firmware Revision Status . . . . .	101

System Status . . . . .	101
Transfer Of Control . . . . .	101
Tell . . . . .	101
User Configuration . . . . .	102
Virtual Front Panel . . . . .	102
Who . . . . .	102
Exit from MP . . . . .	102
Diagnostics . . . . .	102
Management Processor Help System . . . . .	103

## **6. Troubleshooting**

Troubleshooting Methodology . . . . .	105
Operating System Will Boot . . . . .	105
Operating System Will Not Boot . . . . .	105
Troubleshooting Using Online Support Tools . . . . .	106
Support Tools Manager . . . . .	106
Event Monitoring Service . . . . .	107
Management Processor . . . . .	107
Troubleshooting Using Offline Support Tools . . . . .	110
Offline Diagnostic Environment (ODE) . . . . .	110
Disk and I/O Path Logging . . . . .	111
Troubleshooting Using LED Indicators . . . . .	111
Front Control Panel LEDs . . . . .	112
QuickFind Diagnostic Panel LEDs . . . . .	114
I/O Baseboard LED Indicators . . . . .	116
Memory Extender Boards . . . . .	117

## **7. Removing and Replacing Components**

Safety Information . . . . .	121
Service Tools Required . . . . .	121
Accessing a Rack Mounted Server . . . . .	121
Extend the Server from the Rack . . . . .	122
Insert the Server into the Rack . . . . .	122
Accessing a Rackless Server . . . . .	123
Front Bezel . . . . .	124
Removing the Front Bezel . . . . .	125
Replacing the Front Bezel . . . . .	125
Front and Top Covers . . . . .	126
Removing the Front Cover . . . . .	127
Replacing the Front Cover . . . . .	127
Removing the Top Cover . . . . .	129
Replacing the Top Cover . . . . .	129
System Battery . . . . .	130
Memory Extender Board . . . . .	132
Removing a Memory Extender Board . . . . .	132
Replacing a Memory Extender Board . . . . .	134

---

# Contents

System Memory DIMMs . . . . .	135
Removing System Memory DIMMs . . . . .	135
Installing Memory DIMMs . . . . .	135
Processor Extender Board . . . . .	140
Removing the Processor Extender Board . . . . .	140
Replacing the Processor Extender Board . . . . .	143
Processors . . . . .	144
Installing Processors . . . . .	144
Removing a Processor . . . . .	145
Replacing a Processor . . . . .	146
Hot-Swap Chassis Fan Unit . . . . .	150
Removing a Hot-Swap Chassis Fan Unit . . . . .	151
Replacing a Hot-Swap Chassis Fan Unit . . . . .	153
I/O Baseboard Assembly . . . . .	154
Removing the I/O Baseboard Assembly . . . . .	154
Replacing the I/O baseboard Assembly . . . . .	157
Removing and Replacing PCI/PCI-X Cards . . . . .	160
Removing a PCI/PCI-X Card . . . . .	161
Replacing a PCI Card . . . . .	165
OLX Dividers . . . . .	169
Removing an OLX Divider . . . . .	172
Replacing an OLX Divider . . . . .	172
Voltage Regulator Modules (VRM) . . . . .	173
Removing a Voltage Regulator Module (VRM) . . . . .	174
Replacing a Voltage Regulator Module (VRM) . . . . .	175
Hot-Plug Disk Drives . . . . .	176
Removing a Hot-Plug Disk Drive . . . . .	176
Replacing a Hot-Plug Disk Drive . . . . .	176
SCSI Backplane Board . . . . .	179
Removing the SCSI Backplane . . . . .	180
Replacing the SCSI Backplane . . . . .	181
Midplane Riser Board . . . . .	182
Removing the Midplane Riser Board . . . . .	182
Replacing the Midplane Riser Board . . . . .	185
Hot-Swap Power Supplies . . . . .	186
Power Supply Load Order . . . . .	186
Removing a Hot-Swap Power Supply . . . . .	187
Replacing a Hot-Swap Power Supply . . . . .	187
Power Distribution Board . . . . .	189
Removing the Power Distribution Board . . . . .	190
Replacing the Power Distribution Board . . . . .	191
DVD Drive . . . . .	192
Removing a DVD Drive . . . . .	193
Replacing a DVD Drive . . . . .	193
DVD I/O Board . . . . .	194
Removing a DVD I/O Board . . . . .	196

Replacing a DVD I/O Board .....	196
Display Board .....	197
Removing the Display Board .....	199
Replacing the Display Board .....	199
QuickFind Diagnostic Board .....	200
Removing the QuickFind Diagnostic Board .....	202
Replacing the QuickFind Diagnostic Board .....	202

**A. Parts Information**

Field Replaceable Parts (FRU) List .....	203
--	-----

**B. Specifications**

Hardware Specifications .....	207
Dimensions and Weights .....	208
Component Dimensions .....	208

**C. System I/O Board Switches and Jumpers**

<b>Index .....</b>	<b>213</b>
--------------------	------------





Figure 2-1. Front View with Bezel . . . . .	15
Figure 2-2. Accessing the Control Panel . . . . .	16
Figure 2-3. Control Panel. . . . .	16
Figure 2-4. Hot-Swap Disk Drive LED Indicators . . . . .	19
Figure 2-5. DVD-ROM Drive . . . . .	19
Figure 2-6. QuickFind Diagnostic Panel . . . . .	20
Figure 2-7. I/O Baseboard LEDs, Buttons, and Sensors . . . . .	22
Figure 2-8. Rack Mount and Rackless Rear View . . . . .	24
Figure 2-9. Power Supply Status LED . . . . .	25
Figure 2-10. MP LAN LEDs . . . . .	26
Figure 2-11. Core I/O LAN Port LEDs . . . . .	27
Figure 3-1. Rear View . . . . .	29
Figure 3-2. USB Port Connector . . . . .	30
Figure 3-3. Video Port Connector . . . . .	30
Figure 3-4. Serial Port Connector . . . . .	31
Figure 3-5. Management Processor Port. . . . .	32
Figure 3-6. LAN Port . . . . .	33
Figure 3-7. SCSI Port, Ultra 3, 68-Pin . . . . .	34
Figure 4-1. Front View. . . . .	37
Figure 4-2. Hot-Swap Power Supply in P 0 Slot. . . . .	39
Figure 4-3. Metal Cover in Unused P 1 Slot. . . . .	40
Figure 4-4. Disk Drive Installation in Slots 1 and 2 . . . . .	42
Figure 4-5. Disk Drive Installation in Slot 2 . . . . .	42
Figure 4-6. Volume Filler Installation in Slot 2 . . . . .	43
Figure 4-7. Removing the Processor Extender Board . . . . .	45
Figure 4-8. Processor Cable Placed Correctly . . . . .	47
Figure 4-9. Processor Cable Placed Incorrectly . . . . .	47
Figure 4-10. Installing Processor on Extender Board . . . . .	49
Figure 4-11. 16 DIMM Extender Board Minimum Configuration . . . . .	53
Figure 4-12. 32 DIMM Extender Board Minimum Configuration . . . . .	53
Figure 4-13. Inserting DIMM into Extender Board Slot . . . . .	55
Figure 4-14. Slot ID Numbering . . . . .	59
Figure 4-15. OLX Divider . . . . .	62
Figure 4-16. Inserting PCI/PCI-X Card . . . . .	63
Figure 4-17. Slider Gate Bracket. . . . .	64
Figure 4-18. PCI-X Card Latch Opening Sequence . . . . .	65
Figure 4-19. PCI-X Card Latch Closing Sequence . . . . .	65
Figure 4-20. Removing the SCSI Jumper Cable. . . . .	71
Figure 4-21. Installing the Duplex Board . . . . .	72
Figure 4-22. Installing SCSI Cable B to the SCSI Backplane. . . . .	73
Figure 4-23. Installing SCSI Cable B to the SCSI Adapter Board . . . . .	74
Figure 6-1. Front Control Panel LEDs . . . . .	112
Figure 6-2. QuickFind Diagnostic Label . . . . .	115

---

## Figures

Figure 6-3. I/O Baseboard LEDs, Buttons, and Sensors . . . . .	116
Figure 6-4. 32 DIMM Memory Extender Board LEDs . . . . .	118
Figure 6-5. 16 DIMM Memory Extender Board LEDs . . . . .	119
Figure 7-1. Accessing 25MM Torx Screws . . . . .	122
Figure 7-2. Rackless hp 9000 rp4440 Server . . . . .	123
Figure 7-3. Removing and Replacing the Front Bezel . . . . .	124
Figure 7-4. Removing and Replacing the Front Cover . . . . .	126
Figure 7-5. Removing and Replacing the Top Cover . . . . .	128
Figure 7-6. Battery Location on I/O Baseboard . . . . .	131
Figure 7-7. Memory Extender Board Latches . . . . .	133
Figure 7-8. Memory Extender Board . . . . .	133
Figure 7-9. 16 DIMM Extender Board Slot IDs . . . . .	138
Figure 7-10. 32 DIMM Extender Board Slot IDs . . . . .	138
Figure 7-11. Inserting DIMM into Extender Board Slot . . . . .	139
Figure 7-12. Processor Extender Board . . . . .	141
Figure 7-13. Settings for PA RISC/IPF Dipswitch . . . . .	142
Figure 7-14. Removing the Processor Extender Board . . . . .	145
Figure 7-15. Processor Cable Placed Correctly . . . . .	147
Figure 7-16. Processor Cable Placed Incorrectly . . . . .	147
Figure 7-17. Installing Processor on Extender Board . . . . .	149
Figure 7-18. Hot-Swap I/O Chassis Fans Removal and Replacement. . . . .	151
Figure 7-19. Hot-Swap Power Supply Chassis Fan Removal and Replacement. . . . .	152
Figure 7-20. I/O Board Locking Lever. . . . .	156
Figure 7-21. I/O Baseboard . . . . .	157
Figure 7-22. S5102 Dipswitch. . . . .	159
Figure 7-23. PCI Cards Locations . . . . .	161
Figure 7-24. PCI-X Card Latch Opening Sequence . . . . .	163
Figure 7-25. OLX Divider . . . . .	164
Figure 7-26. PCI/PCI-X Card Installation . . . . .	166
Figure 7-27. PCI-X Card Latch Closing Sequence . . . . .	167
Figure 7-28. Slider Gate Bracket. . . . .	168
Figure 7-29. OLX Divider Removal and Replacement. . . . .	170
Figure 7-30. OLX Slider Gate Bracket . . . . .	171
Figure 7-31. VRM Board Remove and Replace. . . . .	174
Figure 7-32. Disk Drive Installation in Slots 1 and 2 . . . . .	177
Figure 7-33. Disk Drive Installation in Slot 2 . . . . .	177
Figure 7-34. Volume Filler Installation in Slot 2 . . . . .	178
Figure 7-35. SCSI Backplane Removal and Replacement . . . . .	180
Figure 7-36. Midplane Riser Board . . . . .	184
Figure 7-37. Hot-Swap Power Supply Removal and Replacement . . . . .	188
Figure 7-38. Power Distribution Board Removal and Replacement . . . . .	190
Figure 7-39. DVD Drive Removal and Replacement . . . . .	193
Figure 7-40. DVD I/O Board Removal and Replacement. . . . .	195

Figure 7-41. Display Board Removal and Replacement. . . . . 198  
Figure 7-42. QuickFind Diagnostic Board Removal and Replacement. . . . . 201



---

# 1 About This Document

This document describes how to operate and maintain your hp 9000 rp4440 Server, Regulatory Model Number: RSVLA-0201.

The document printing date and part number indicate the document's current edition. The printing date will change when a new edition is printed. Minor changes may be made at reprint without changing the printing date. The document part number will change when extensive changes are made.

Document updates may be issued between editions to correct errors or document product changes. To ensure that you receive the updated or new editions, you should subscribe to the appropriate product support service. See your HP sales representative for details.

The latest version of this document can be found online at <http://docs.hp.com>.

---

## What's in This Document

The hp 9000 rp4440 Operation and Maintenance Guide contains these chapters:

- **Chapter 2, “Controls, Ports, and Indicators.”** Use this chapter to learn about the front panel controls, rear panel ports and connectors, and all system LED locations and functions.
- **Chapter 3, “External Connectors.”** Use this chapter to learn about all external connectors, plugs, and their pinouts.
- **Chapter 4, “Installing Additional Components and Configuring.”** Use this chapter to learn how to install additional hot-swap power supplies, hot-swap disk drives, memory DIMMs, processors, and PCI-X cards. Also, learn how to configure your management processor and boot your HP Server.
- **Chapter 5, “Utilities.”** Use this chapter to learn how to navigate in the BCH and management processor environments.
- **Chapter 6, “Troubleshooting.”** Use this chapter to learn how to perform minimal troubleshooting of your system
- **Chapter 7, “Removing and Replacing Components.”** Use this chapter to learn how to remove and replace all Field Replaceable Units (FRUs) in your system.
- **Appendix A, “Parts Information.”** Use this appendix to see a list of all FRUs.
- **Appendix B, “Specifications.”** Use this appendix to learn the basic mechanical specifications of your HP Server.
- **Appendix C, “System I/O Board Switches and Jumpers.”** Use this appendix as a reference to system I/O board indicators, connectors, and jumpers.

## Typographical Conventions

This document uses the following conventions.

<i>Title</i>	The title of a document or a CD.
<b>KeyCap</b>	The name of a keyboard key. Note that <b>Return</b> and <b>Enter</b> both refer to the same key.
<i>Emphasis</i>	Text that is emphasized.
<b>Bold</b>	Text that is strongly emphasized, such as the summary text in bulleted paragraphs.

ComputerOut	Text displayed by the computer.
<b>UserInput</b>	Commands and other text that you type.
Command	A command name or qualified command phrase.

---

## Related Documents

The *HP Server Documentation CD-ROM* has been provided with your server. It contains a complete documentation set for the server, including localized versions of key documents. Included on the CD-ROM are the *Site Preparation* and *Operations and Maintenance* guides, which contain in-depth troubleshooting, installation, and repair information.

The CD will autorun when you insert it into a Windows® workstation, or, point your browser at the `index.htm` file located under the **Start** directory of the CD. All users, including UNIX®/Linux, can access a complete manual set by viewing the directory **manuals**. The manuals are in Adobe® Acrobat® Reader (pdf) format.

In addition, the latest versions of all these documents, and any product updates to these documents, are posted under the appropriate server at <http://docs.hp.com>.

For online access to technical support information, self-solve tools, online assistance, community forums of IT experts, broad multivendor knowledge base, and monitoring and diagnostic tools, go to <http://www.hp.com/support>.

---

## HP Encourages Your Comments

HP encourages your comments concerning this document. We are truly committed to providing documentation that meets your needs.

Please send any comments by contacting us at <http://docs.hp.com/assistance/index.html>.

Please include document title, manufacturing part number, and any comment, error found, or suggestion for improvement you have concerning this document.

---

## 2 Controls, Ports, and Indicators

---

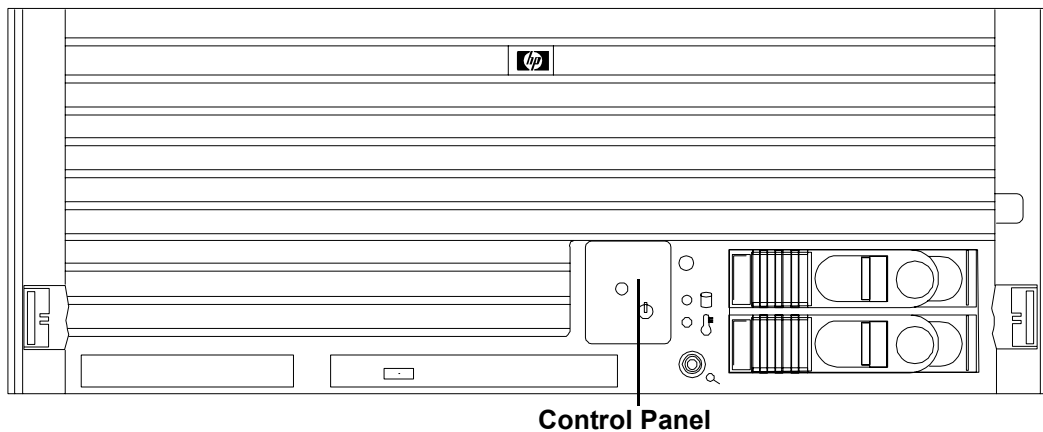
### Introduction

This chapter describes the controls, ports, and indicators found on the front panel, rear panel, and internal locations of the hp 9000 rp4440 Server. The HP Server comes in either rack mount or rackless configurations.

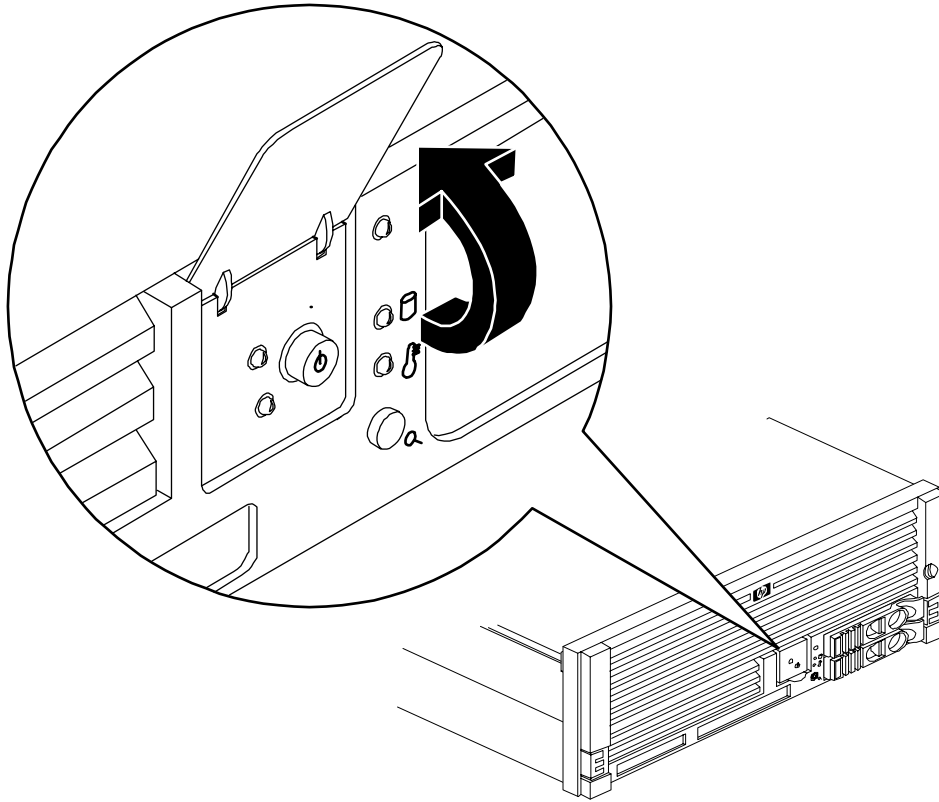
### Front Panel

The front panel of the hp 9000 rp4440 Server provides the controls and indicators commonly used for operation.

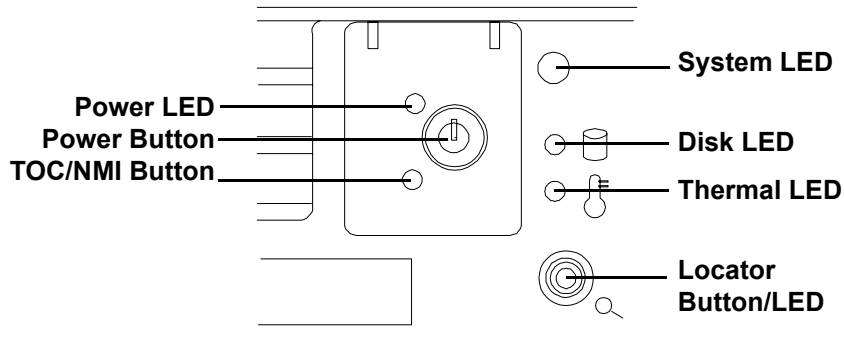
**Figure 2-1**      **Front View with Bezel**



**Figure 2-2**      **Accessing the Control Panel**



**Figure 2-3**      **Control Panel**



**Table 2-1**      **Control Panel LED Definitions**

LED/ Button	State	Flash Rate	Color	Description
System	Running	Steady	Green	Green: System normal—OS up and running
System	Booting	Flashing at 0.5Hz	Green	Flashing Green: OS booting or at BCH



**Table 2-1 Control Panel LED Definitions (Continued)**

<b>LED/ Button</b>	<b>State</b>	<b>Flash Rate</b>	<b>Color</b>	<b>Description</b>
System	Attention	Flashing at 1 Hz	Yellow	Flashing Yellow: Warning-system needs attention. Redundancy lost, component failure pending.
System	Fault	Flashing at 2 Hz	Red	Flashing Red: Hard fault. system halted
System	Off	Off	N/A	Off: System off
Power	On	Steady	Green	Green: Power normal
Power	On	Steady	Yellow	Flashing Yellow: Housekeeping voltage present
Power	Off	Off	Off	Off: Power off
Disk LED		Flashing at rate of disk activity	Green	Flashing Green: Disk activity
Thermal LED	OK	Steady	Green	Green: Thermal OK
Thermal LED	Warning	Flashing at 1 Hz	Yellow	Flashing Yellow: Thermal warning
Locator LED/Button		Flashing at 1 Hz	Blue	Flashing Blue: System locator LED may be remotely or locally activated/deactivated

## Switch/Button and Front Control Panel LED Definitions

Table 2-2 Switch/Button LED Definitions

Button/Switch	Description
Power Button	The power switch turns the HP Server AC power on or off. <sup>a</sup> If sleep states are available, it also transitions between power-on and sleep states. Sleep states are NOS dependent and only available if your NOS supports power management based on the ACPI (Advanced Configuration and Power Interface) standard.
NMI Button (Paper clip may be used to depress button.)	Press the nonmaskable interrupt (NMI) switch before restarting the system after a hung condition occurs. NMI provides crash dump capture capability. Obtain a system hardware status dump to use in root cause analysis and debugging. <sup>b</sup>

- a. Turning off the power button does NOT turn off internal DC power supplies. These DC potentials are still present until you remove the AC power cords from the rear of the power supply units. Ensure that you remove the AC power cords from your HP Server before removing or replacing hardware components (unless they are hot-plug or hot-swap components).
- b. The same function is available by using the Management Processor command: `CM>TC`

---

## Additional Controls and Indicators

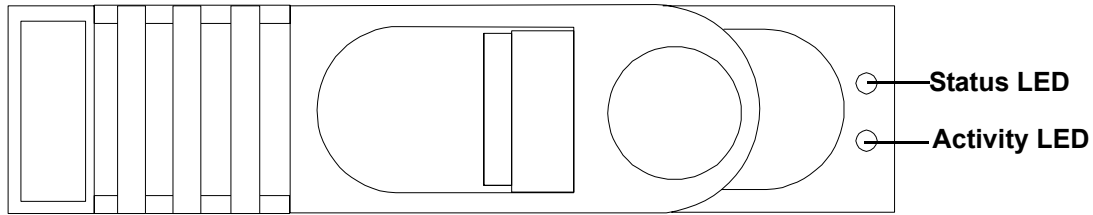
Storage devices have additional LEDs showing their status.

### Hot-Plug Disk Drive Indicators

The hot-swap disk drives have two LEDs per drive, as described below.

- Drive Status LED - The drive status LED is tri-color and may display green, amber, or yellow at any given time. These colors indicate a normal, warning, or failure condition.
- Drive Activity LED - The drive activity LED is green and indicates disk drive activity. This LED is controlled by the disk drive directly and turns on when a drive is accessed.

**Figure 2-4 Hot-Swap Disk Drive LED Indicators**



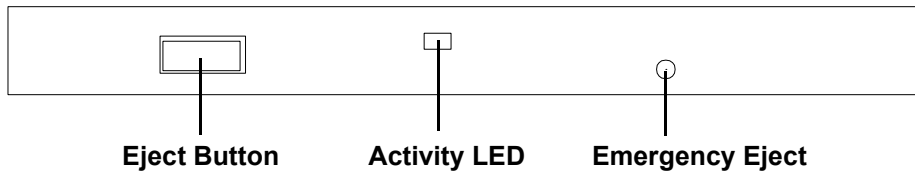
**Table 2-3 Hot-Swap Disk Drive LED Definitions**

LED		Description
Activity LED	Flashing green	Drive access under hard drive control.
Status LED	Solid Amber	Drive fault.
	Amber	Missing management board or jumper cable. For all HDD on SCSI bus A and/or B.
	Green	Drive/Slot normal (drive present).
	Blank	Pass through mode.

### DVD-ROM/DVD-R/DVD-RW Drives

The HP Server is delivered with one DVD-ROM drive (DVD-R and DVD-RW optional). Each of these devices has one activity LED.

**Figure 2-5 DVD-ROM Drive**



**Table 2-4 DVD Drive LED Definitions**

LED		Description
Activity LED	Flashing green	Drive access under hard drive control.

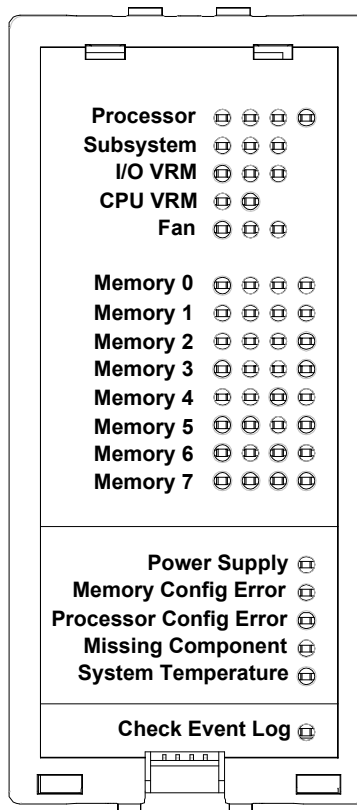
## QuickFind Diagnostic Panel

The QuickFind diagnostic panel has 27 single color LEDs and one multi-color LED for temperature. The LEDs are normally off. The appropriate LED is turned on when an error is detected or a replacement part is required.

### Accessing the QuickFind Diagnostic Panel

You can access the QuickFind diagnostic panel by removing the top cover. See “Removing the Top Cover” on page 129. You can use the QuickFind diagnostic panel as an aid in troubleshooting. For a complete description of QuickFind diagnostic LED states, see “Front Control Panel LEDs” on page 112.

**Figure 2-6** QuickFind Diagnostic Panel



**Table 2-5 QuickFind Diagnostic Panel LEDs**

Item	LED 0	LED 1	LED 2	LED 3	Details
Processor	Socket 0	Socket 1	Socket 2	Socket3	<p>If the System LED (on front panel) is in the attention or fault state and the processor LED is lit, then the processor or voltage regulator has failed—the processor module in the specified socket needs to be replaced.</p> <p>If the thermal LED is in the warning or critical state and the processor LED is lit, then the processor exceeded the warning or critical level.</p>
Subsystem	CPU board	Memory board	I/O board	n/a	A soldered voltage regulator has failed—the specified board must be replaced.
I/O VRM	12 volt	5 volt	3 volt	n/a	A plug-in voltage regulator has failed—specific VRM must be replaced.
CPU VRM	n/a	n/a	n/a	n/a	n/a
Fan Module	0	1	2	n/a	<p>One or both fans in a fan module has failed—the module must be replaced.</p> <p>Fan 2 is in front of the power supplies.</p>
Memory Bank X (0-7)	DIMM xA	DIMM xB	DIMM xC	DIMM xD	<p>The specified DIMM has failed—the DIMM must be replaced.</p> <p>If all the LEDs for a rank (0-7) are lit and the Memory Config Error LED is lit then the DIMMs in the specified rank are mismatched—replace mismatched DIMM.</p>
Check Power Supply	n/a	n/a	n/a		One of the power supply or power supply fans has failed—replace the power supply. The faulty power supply LED (located on power supply) will be lit.
Memory Config Error	n/a	n/a	n/a		The DIMMs in a rank are mismatched. All the DIMMs in the specified rank (0-7) will be lit.
Processor Config Error	n/a	n/a	n/a		The processors are mismatched—replace mismatched processor.
Missing Component	n/a	n/a	n/a		A required component(s) is not installed in the system and thus preventing power up.
System Temp	n/a	n/a	n/a		The internal temperature of the server has exceeded the warning or critical level.

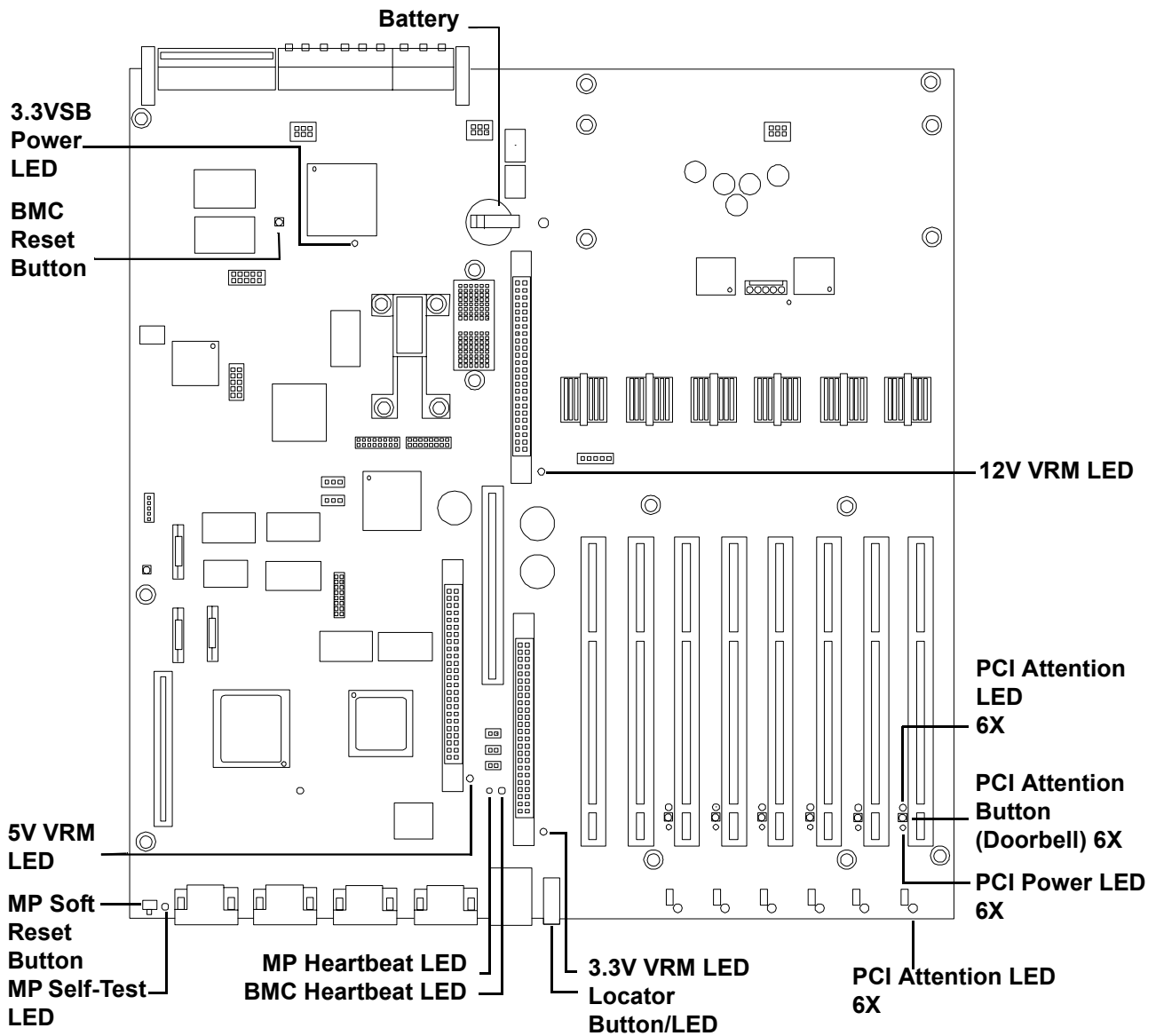
**Table 2-5 QuickFind Diagnostic Panel LEDs (Continued)**

Item	LED 0	LED 1	LED 2	LED 3	Details
Check Event Log	n/a	n/a	n/a		An event has occurred that requires attention.

**I/O Baseboard LED Indicators**

Various LEDs, sensors, reset, and attention buttons are found on the I/O baseboard.

**Figure 2-7 I/O Baseboard LEDs, Buttons, and Sensors**



**Table 2-6 I/O Baseboard LEDs, Buttons, and Sensors**

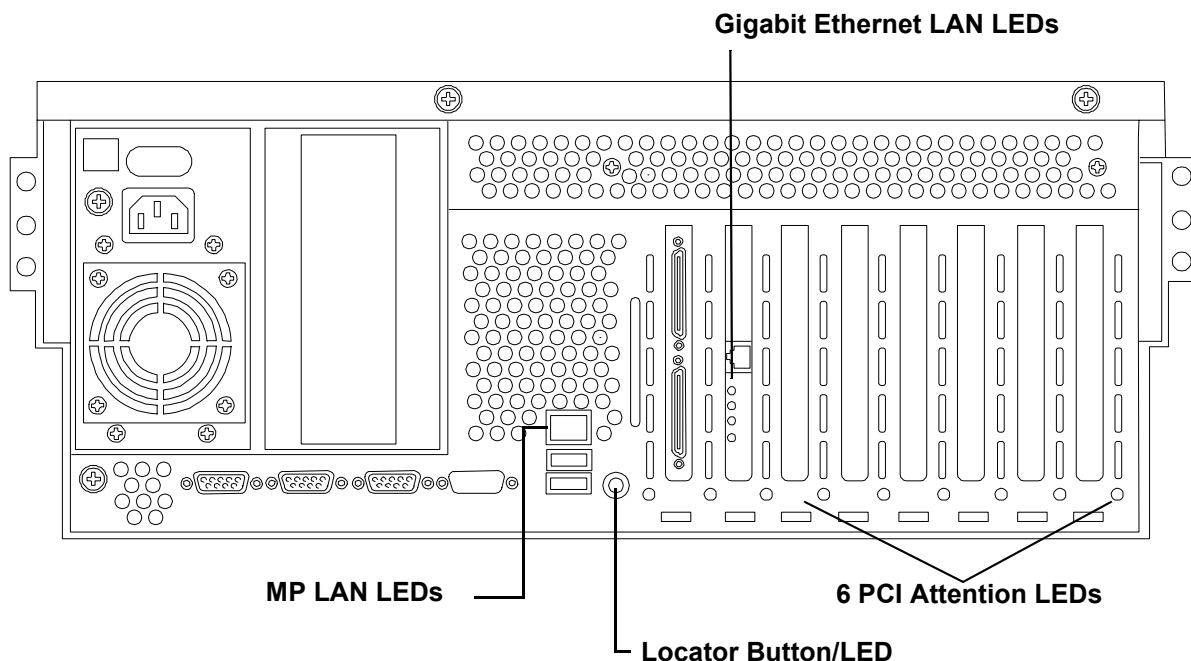
<b>LED/Button</b>	<b>Color</b>	<b>Status</b>	<b>Condition</b>
12V VRM Power LED	Green	On	12V VRM is functioning.
5V VRM Power LED	Green	On	5V VRM is functioning.
3.3V VRM Power LED	Green	On	3.3V VRM is functioning.
MP Heartbeat	Green	Blinking	The management processor is functioning correctly.
MP Self Test LED	Amber	On	The management processor is executing the internal self test.
		Off	The management processor has passed the internal self test.
BMC Heartbeat	Green	Blinking	The baseboard management controller is functioning correctly.
3.3VSB Power LED	Green	On	Standby power is available.
MP Soft Reset Button	N/A	Press	Resets the management processor values.

## Rear Panel

The HP Server rear panel includes communication ports, I/O ports, AC power connectors, two power supply bays, attention LED indicators for the hot-plug PCI boards, and the locator LED/button. LEDs located on the rear panel of the HP Server signal the operational status of:

- Power supplies
- Management processor LAN
- Gigabit Ethernet card LAN
- PCI slots 3-8

**Figure 2-8 Rack Mount and Rackless Rear View**

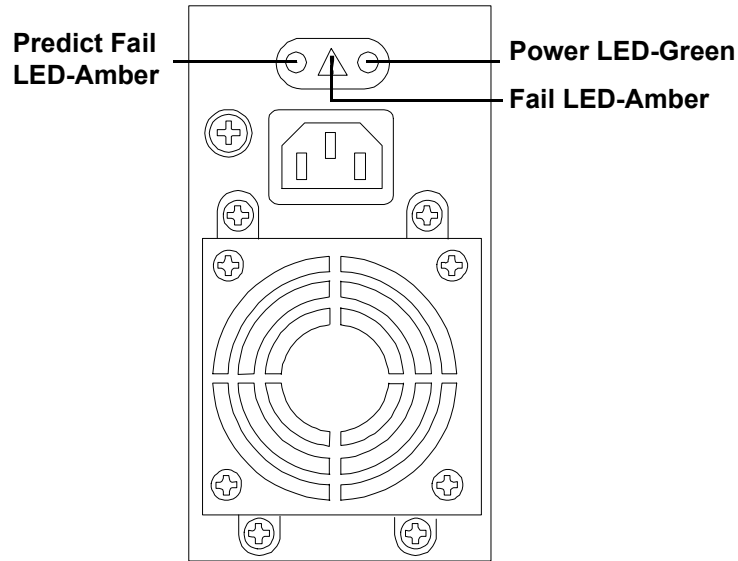


### Power Supply Status LEDs

Each power supply unit has three status LEDs located on the power supply rear side. Consolidated status of all power supplies is reported by the front control panel by the power status LED.



**Figure 2-9 Power Supply Status LED**



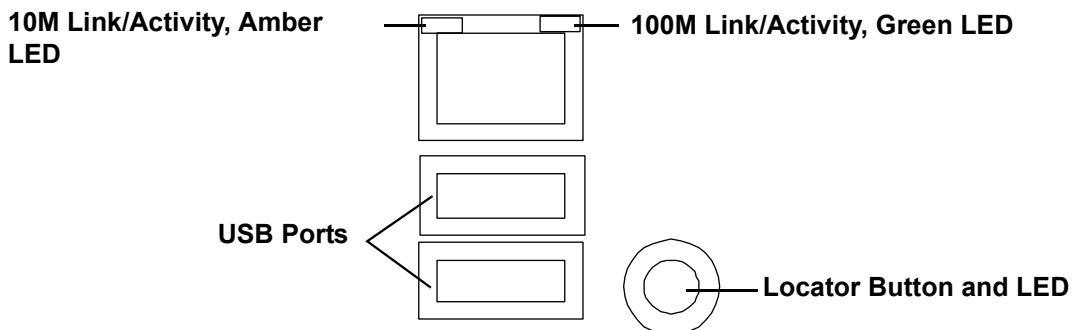
**Table 2-7 Power Supply Status LED**

Power LED-Green	Predict Fail LED-Amber	Fail LED-Amber	Status
Off	Off	Off	No AC power applied to all PSUs.
Off	Off	On	No AC power applied to this PSU only.
Blinking	Off	Off	AC present/standby outputs on.
On	Off	Off	PSU DC outputs on and OK.
Off	Off	On	Power supply failure.
On	Blinking	Off	Predictive failure—PSU about to fail because of poorly performing fan.
On	Off	Blinking	Current limit on 48 VDC output.

### Management Processor LAN LEDs

The internal management processor (MP) LAN uses an RJ-45 type connector. This connector has two LEDs (LAN link and LAN activity) that signal status and activity.

**Figure 2-10 MP LAN LEDs**



**Table 2-8 MP LED Status Descriptions**

LED	Condition	Status
10M amber	On	Linked at 10Mbps-no activity
10M amber	Blinking	Linked at 10Mbps-activity present
100M green	On	Linked at 100Mbps-no activity
100M green	Blinking	Linked at 100Mbps-activity present

**Locator LED and Button**

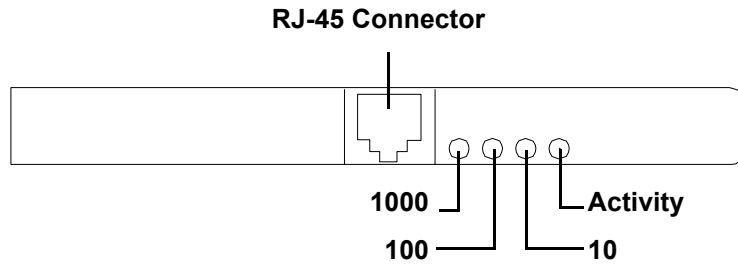
An LED and button is provided on the rear panel of the server. Another single blue LED and button is on the front control panel that enables/disables the locator function. See Figure 2-10, “MP LAN LEDs.”

**Gigabit Ethernet Card LAN LEDs**

**(Core I/O)**

The core I/O Gigabit Ethernet card uses an RJ-45 LAN connector. This connector has 4 LEDs (3 LAN link and 1 LAN activity) that signal link speed and activity.

**Figure 2-11 Core I/O LAN Port LEDs**



**Table 2-9 Core LED Status Descriptions**

LED	Condition	Status
Activity	Green—on	Linked—no activity
Activity	Green—off	No link
Activity	Green—blinking	Linked—activity present
1000	Green—on	Link speed—1000 MBps
100	Green—on	Link speed—100 MBps
10	Green—on	Link speed—10 MBps



---

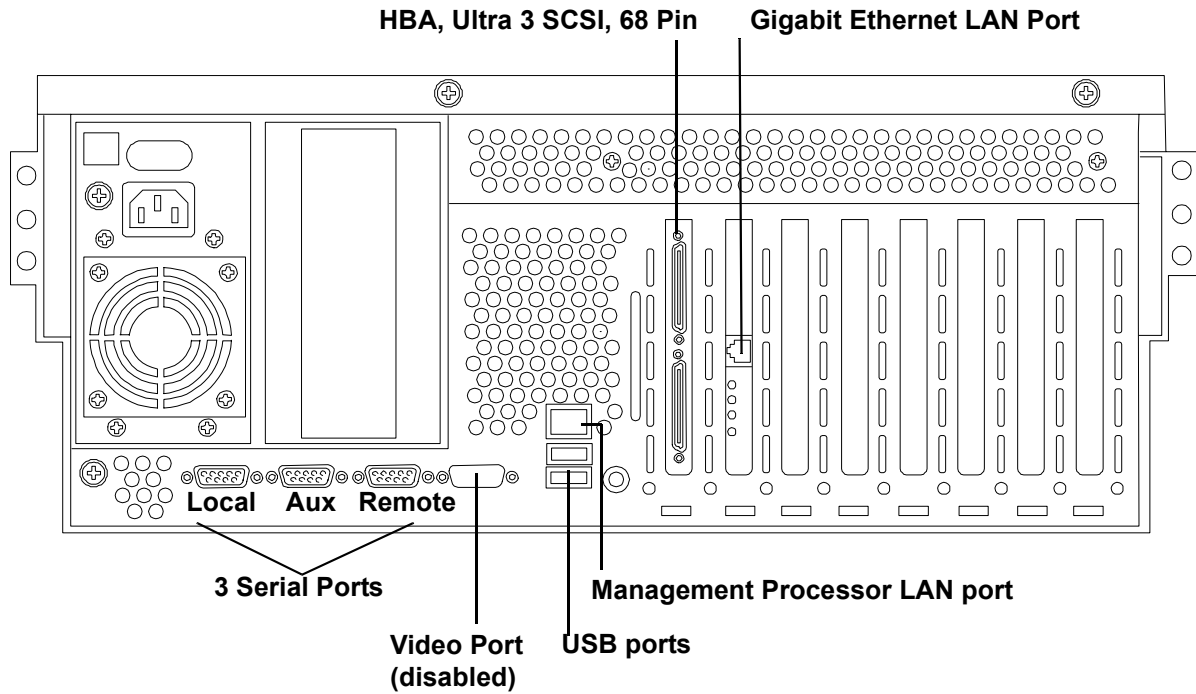
# 3 External Connectors

---

## Connector Pinouts

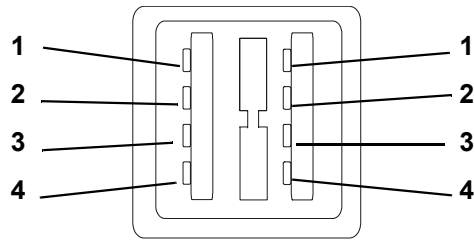
The following ports and connectors are found on the rear panel of the hp 9000 rp4440 Server. The SCSI Host Bus Adapter card in slot 1 and the Gigabit Ethernet card in slot 2 are factory installed.

**Figure 3-1 Rear View**



## Universal Serial Bus (USB) Ports

**Figure 3-2 USB Port Connector**

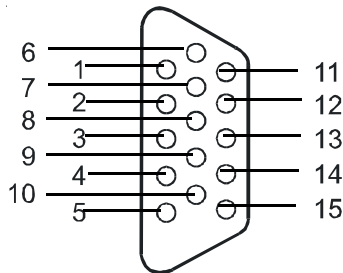


**Table 3-1 USB Pinouts**

Pin Number	Signal Description
1	+5VDC
2	MR
3	PR
4	Ground

## VGA Port

**Figure 3-3 Video Port Connector**

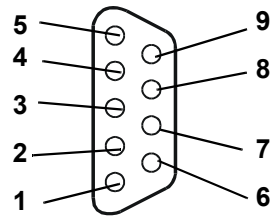


**Table 3-2 Video Connector Pinouts**

Pin Number	Signal Description	Pin Number	Signal Description
1	Red	9	+5VDC
2	Green	10	Sync return (ground)
3	Blue	11	Not used
4	Not used	12	Monitor ID bit 1
5	Video Self Test (ground)	13	Horizontal sync (+)
6	Red return (ground)	14	Vertical sync (-)
7	Green return (ground)	15	Video ID bit 2
8	Blue return (ground)		

## Serial Ports

**Figure 3-4 Serial Port Connector**

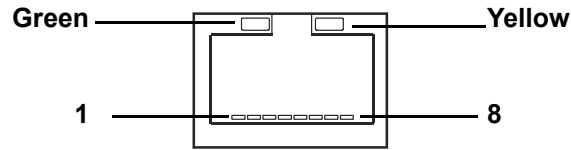


**Table 3-3 Serial Port Pinouts**

Pin Number	Signal Description
1	Data carrier detect
2	Receive data
3	Transmit data
4	Data Term ready
5	Ground
6	Data set ready
7	Request to send
8	Clear to send
9	Ring indicator

## Management Processor LAN Port

**Figure 3-5 Management Processor Port**



**Table 3-4 Management Processor LAN Port Pinouts**

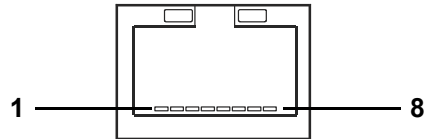
Pin Number	Signal Description
1	TXP
2	TXN
3	RXP
4	Not used
5	Not used
6	RXN
7	Not used
8	Not used



## Additional Ports on Accessory Boards

### Gigabit Ethernet (LAN) Port

**Figure 3-6 LAN Port**



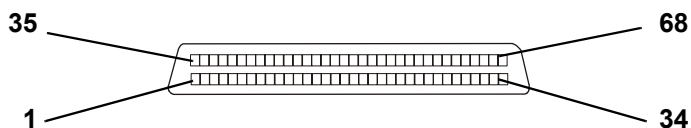
**Table 3-5 LAN Port Pinouts**

Pin Number	Signal Description
1	RXP
2	RXN
3	TXP
4	Not used
5	Not used
6	TXN
7	Not used
8	Not used

**SCSI Port, Ultra 3, 68-Pin**

Two Ultra 3, 68-pin SCSI connectors are located on the host bus adapter (HBA) located in PCI slot 1. The upper connector supports SCSI channel A and the lower connector supports SCSI channel B.

**Figure 3-7 SCSI Port, Ultra 3, 68-Pin**



**Table 3-6 SCSI Port Pinouts**

Pin Number	Signal Description	Pin Number	Signal Description
1	S1 (+DB 12)	35	S35 (-DB 12)
2	S2 (+DB 13)	36	S36 (-DB 13)
3	S3 (+DB 14)	37	S37 (-DB 14)
4	S4 (+DB 15)	38	S38 (-DB 15)
5	S5 (+DB P 1)	39	S39 (-DB P 1)
6	S6 (+DB 0)	40	S40 (-DB 0)
7	S7 (+DB 1)	41	S41 (-DB 1)
8	S8 (+DB 2)	42	S42 (-DB 2)
9	S9 (DB 3)	43	S43 (-DB 3)
10	S10 (+DB 4)	44	S44 (-DB 4)
11	S11 (+DB5)	45	S45 (-DB 5)
12	S12 (+DB 6)	46	S46 (-DB 6)
13	S13 (+DB 7)	47	S47 (-DB 7)
14	S14 (+DB P)	48	S48 (-DB P)
15	S15	49	S49
16	S16 (DIFFSENS)	50	S50
17	S17 (TERMPWR)	51	S51 (TERMPWR)
18	S18 (TERMPWR)	52	S52 (TERMPWR)
19	S19 (RESERVED)	53	S53 (RESERVED)
20	S20	54	S54

**Table 3-6 SCSI Port Pinouts (Continued)**

<b>Pin Number</b>	<b>Signal Description</b>	<b>Pin Number</b>	<b>Signal Description</b>
21	S21 (+ATN)	55	S55 (-ATN)
22	S22	56	S56
23	S23 (+BSY)	57	S57 (-BSY)
24	S24 (+ACK)	58	S58 (-ACK)
25	S25 (+RST)	59	S59 (-RST)
26	S26 (+MSG)	60	S60 (-MSG)
27	S27 (+SEL)	61	S61 (-SEL)
28	S28 (+C/D)	62	S62 (-C/D)
29	S29 (+REQ)	63	S63 (-REQ)
30	S30 (+I/O)	64	S64 (-I/O)
31	S31 (+DB 8)	65	S65 (-DB 8)
32	S32 (+DB 9)	66	S66 (-DB 9)
33	S33 (DB 10)	67	S67 (-DB 10)
34	S34 (DB 11)	68	S68 (-DB 11)



---

# 4 Installing Additional Components and Configuring

---

## Installing Power Supplies and Disk Drives

This section provides information about installing hot-swap power supplies and hot-plug disk drives. Hot-swap power supplies are located at the rear of the hp 9000 rp4440 Server and hot-plug disk drives are located behind the front bezel.

---

**CAUTION** A hot-plug device may require interaction with the operating system before the device can be safely installed into the server. Verify that the operating system supports installing disk drives while the operating system is running. If the operating system does not support this feature, shut down the operating system before attempting this procedure. Failure to observe this caution will result in system failure.

---

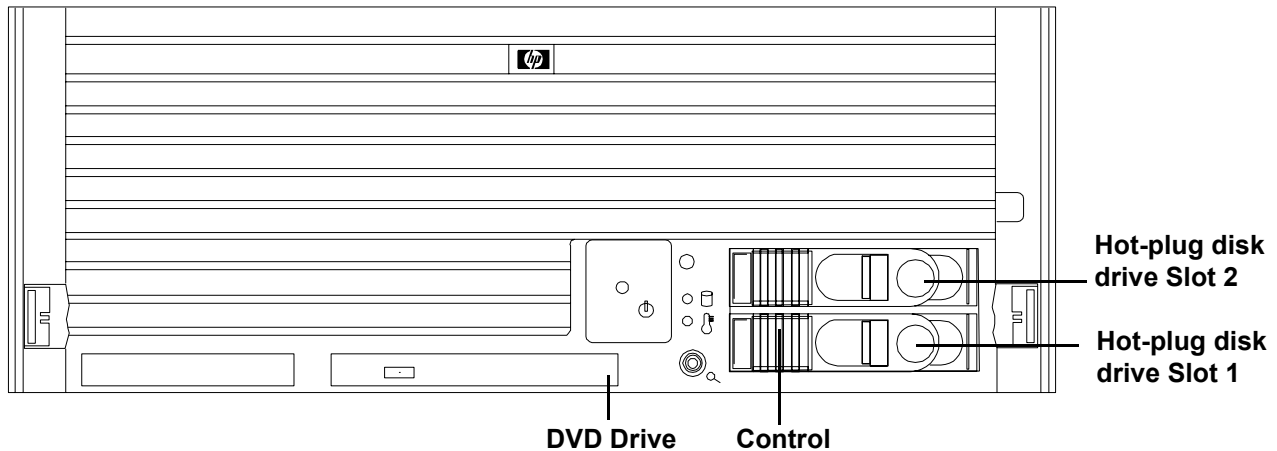
---

**NOTE** A hot-swap device does not require interaction with the operating system before the device is removed from or installed into the server.

The AC power to the server does not have to be off to install a hot-swap power supply.

---

**Figure 4-1 Front View**



## Installing Hot-Swap Power Supply Units (PSU)

### Power Supply Load Order

The supported configuration of an hp 9000 rp4440 Server requires a minimum of one power supply unit to be installed. A second, optional hot-swap PSU, may be installed to provide N+1 capability.

The left side (viewing from the rear) hot-swap PSU is identified as P 0, and the second hot-swap power supply is identified as P 1. Each hot-swap PSU requires a separate power cord, installed in the appropriate power cord receptacle.

---

**CAUTION** The empty hot-swap PSU slot P 1 must remain closed, with the supplied metal cover, when a second power supply is not used. Your server may be damaged due to overheating if the cover does not remain in place.

---

---

**WARNING** **Be careful when installing a hot-swap power supply. It is heavier than it appears.**

---

---

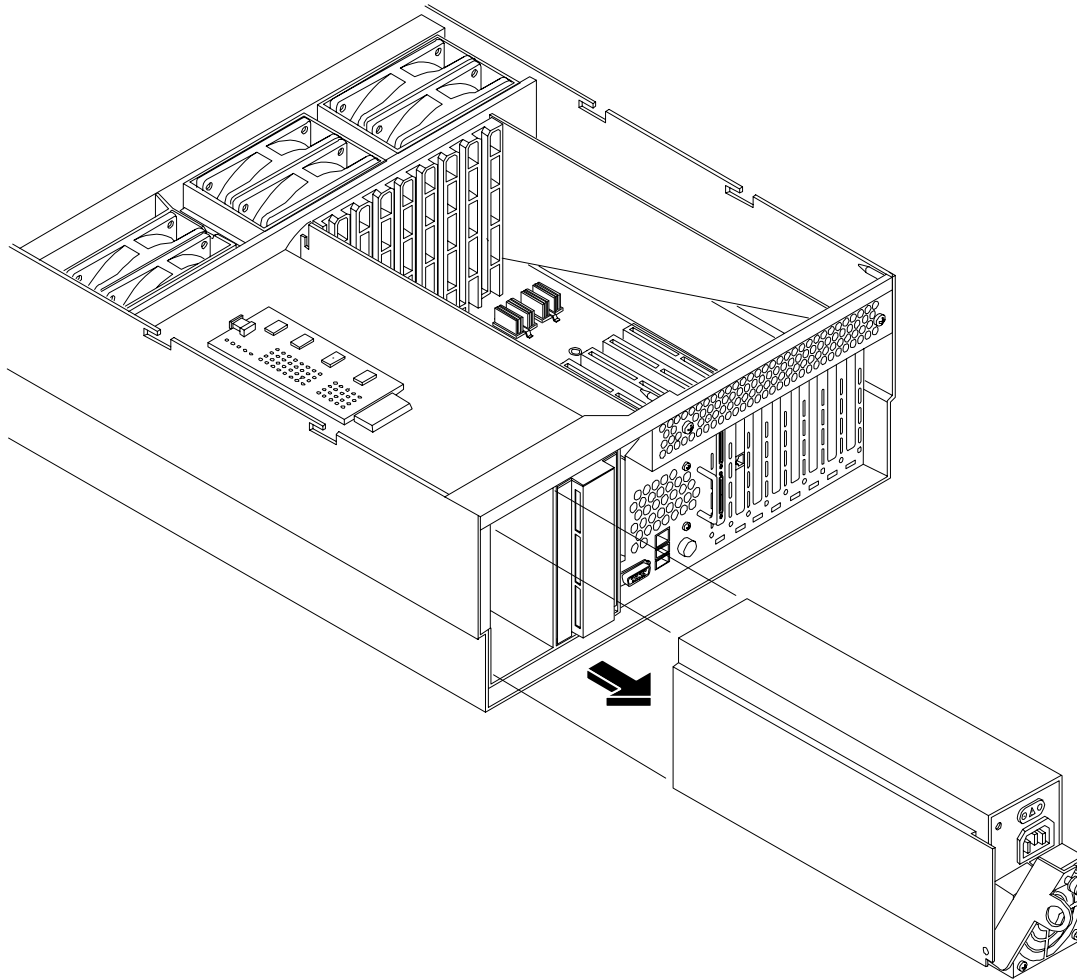
**CAUTION** If the system is powered down, install the hot-swap PSU into the server before attaching the new power cord at the rear of the system. Failure to observe this caution will result in damage to the server.

---

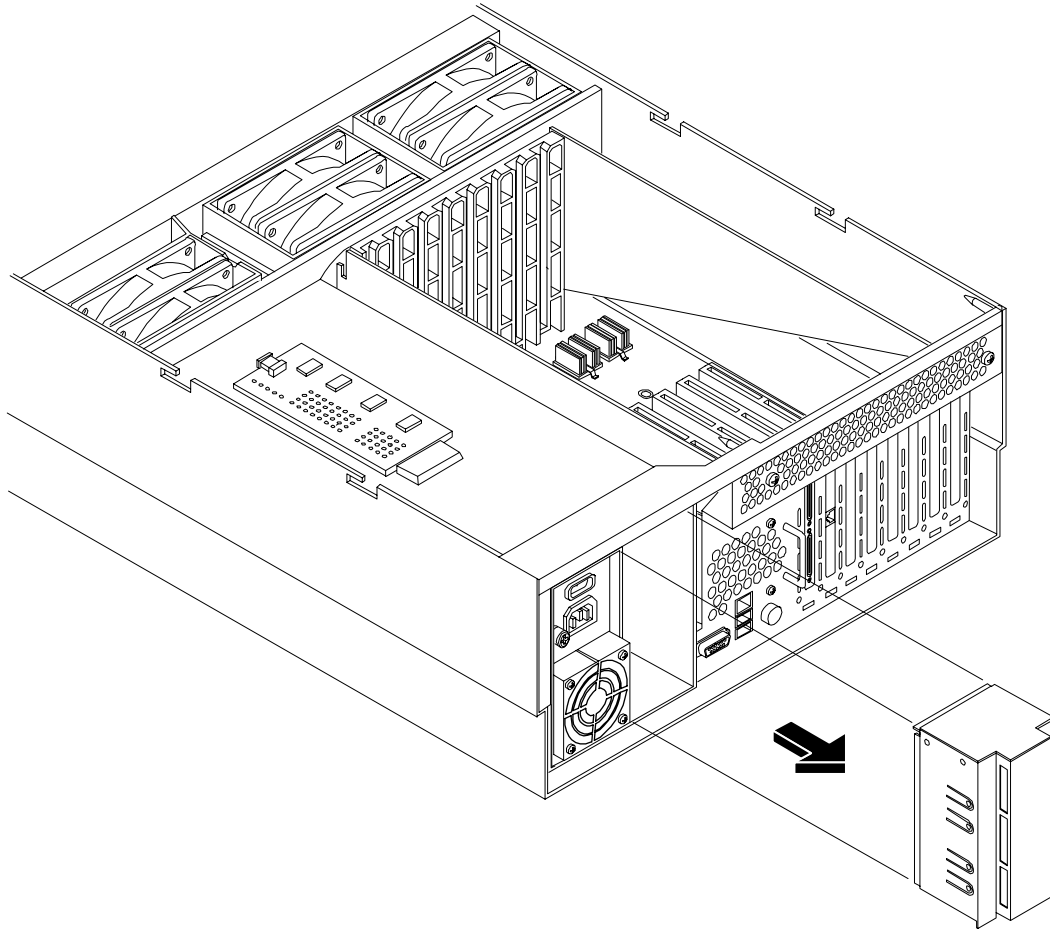
To install a hot-swap power supply, perform the following steps:

- Step 1.** If rack mounted, slide the HP Server out from the rack until it stops. See “Accessing a Rack Mounted Server” on page 121.
- Step 2.** Remove the cable management arm from the rackslide nearest the PSUs. The cable management arm does not have to be completely removed but moved just enough to allow access to the PSUs.
- Step 3.** Remove the metal cover from slot P 1. Grasp the metal cover and pull straight out.
- Step 4.** Supporting the PSU with both hands, slide it into slot P 1 until it plugs into the socket on the internal power supply board. Tighten thumbscrew hand-tight.
- Step 5.** Install the power cord into the PSU socket and secure it to the power cord bracket.
- Step 6.** Apply power to the new PSU; the LED should immediately turn on.
- Step 7.** If rack mounted, slide the HP Server back into the rack until it stops.

**Figure 4-2** Hot-Swap Power Supply in P 0 Slot



**Figure 4-3** Metal Cover in Unused P 1 Slot





## Installing Hot-Plug Disk Drives

One additional hot-plug disk drive may be added to your hp 9000 rp4440 Server in slot 2. Always use low profile disk drives (1.0" height) in your HP Server.

To install a hot-plug disk drive, perform the following steps:

**Step 1.** Remove the volume filler from slot 2. See *Figure 4-6, Volume Filler Installation in Slot 2*.

---

<b>NOTE</b>	For cooling purposes, always leave the volume filler in slot 2 if you do not use a second disk drive.
-------------	---

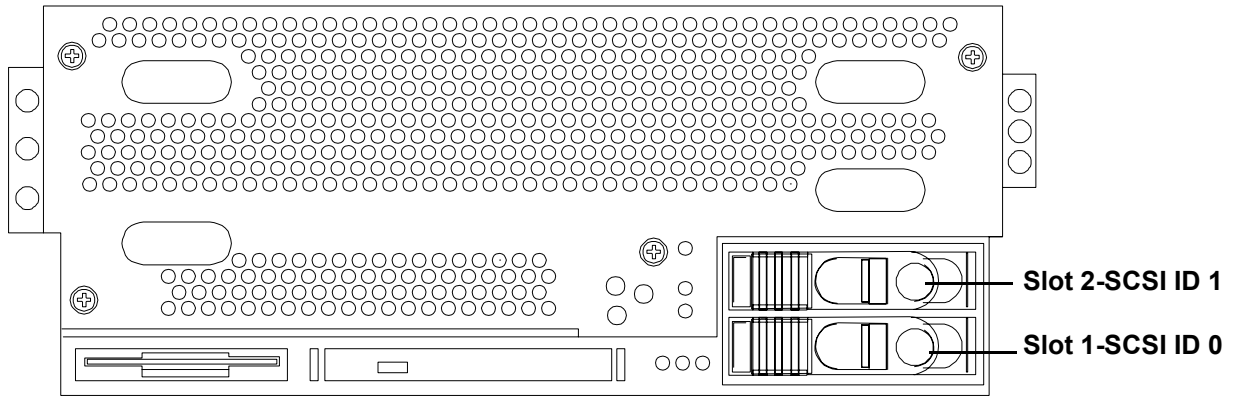
---

**Step 2.** Slide the hot-plug hard disk into slot 2 until it is seated.

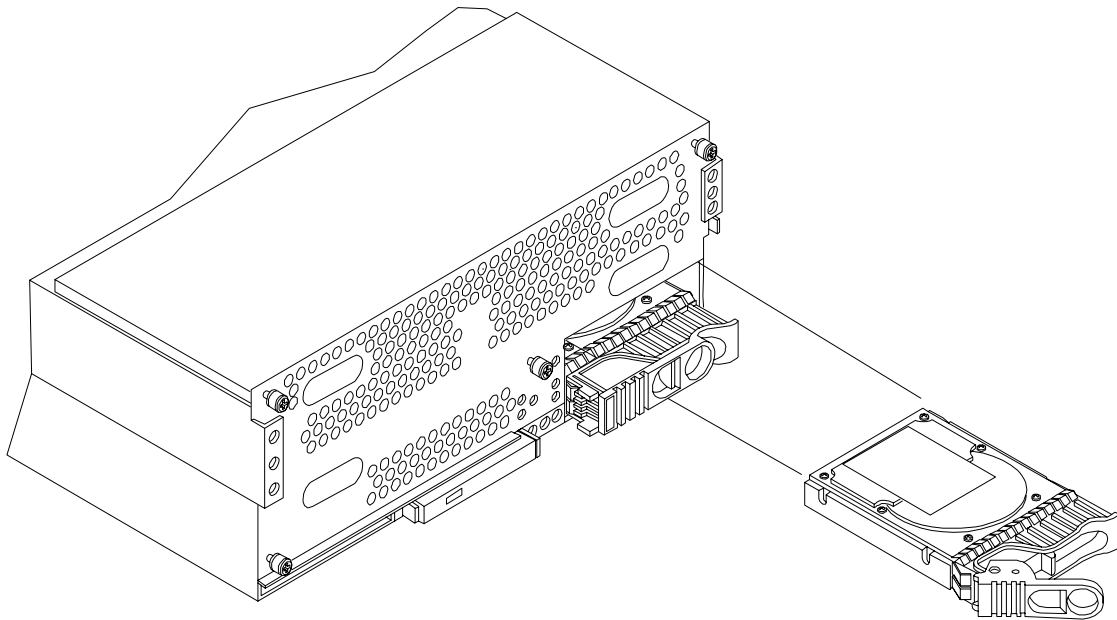
**Step 3.** Close the drive-ejector handle by pushing it down until it clicks.

**Step 4.** The hot-plug disk drive is now correctly installed.

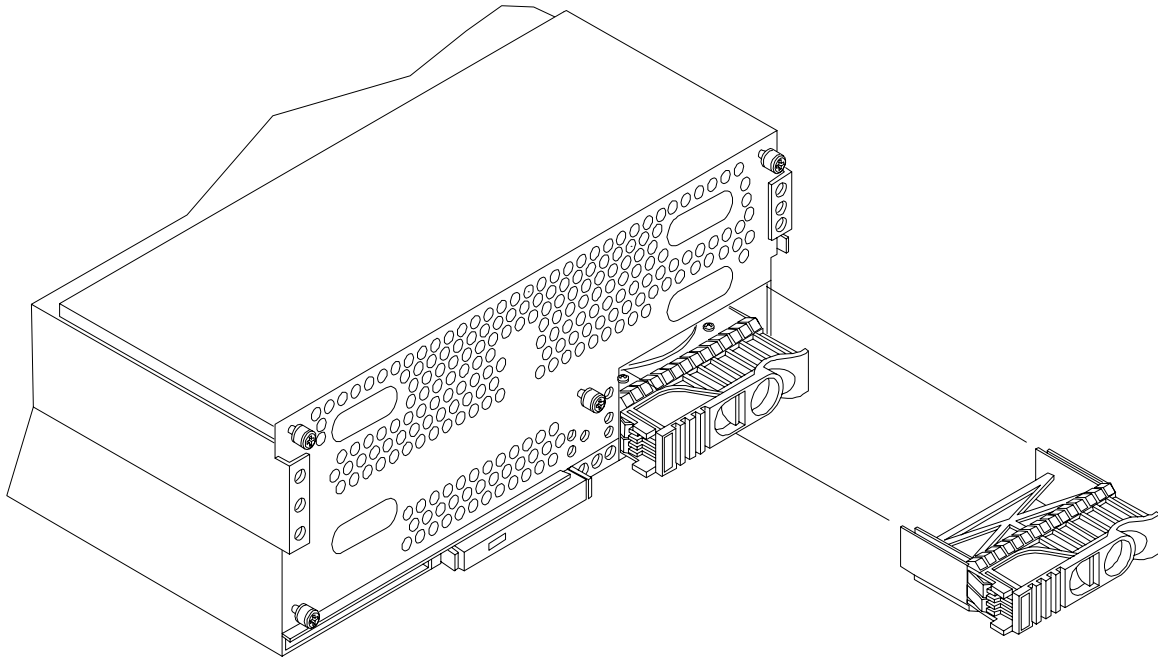
**Figure 4-4 Disk Drive Installation in Slots 1 and 2**



**Figure 4-5 Disk Drive Installation in Slot 2**



**Figure 4-6**      **Volume Filler Installation in Slot 2**



---

## Installing Processors and Memory

This section provides information about installing processors and memory. The processors and memory extender boards are located under the front cover.

---

**WARNING**      **Voltages are present at various locations within the server whenever an AC power source is connected. This voltage is present even when the main power switch is in the off position.**

**Ensure that the system is powered down and all power sources have been disconnected from the server prior to attempting the following procedures.**

**Failure to observe this warning could result in personal injury or damage to equipment.**

---

**CAUTION**      **Observe all ESD safety precautions before attempting this procedure. Failure to follow ESD safety precautions could result in damage to the server.**

---

## Installing Processors

---

**CAUTION** Ensure that the cache size is identical for all processors. Failure to observe this caution will result in system failure.

Ensure that all processors are rated for use at the same speed. Failure to observe this caution will result in performance degradation.

---

### Processor Load Order

Processors are attached to the processor extender board, which is located under the top cover in the top service bay directly under the memory extender board. The processor extender board can hold between one and four processors. CPU 0 and CPU 1 are located on the top of the processor extender board and CPU 2 and CPU 3 are located on the bottom. Processors must be installed in a specific order. The processor installation order is shown in Table 3-1.

**Table 4-1 Processor Load Order**

Processor	Socket
1	CPU 0
2	CPU 1
3	CPU 2
4	CPU 3

### Tools Required

To install processors in your HP Server, you must use the IPF CPU Install Kit, 5069-4551.

This toolkit consists of:

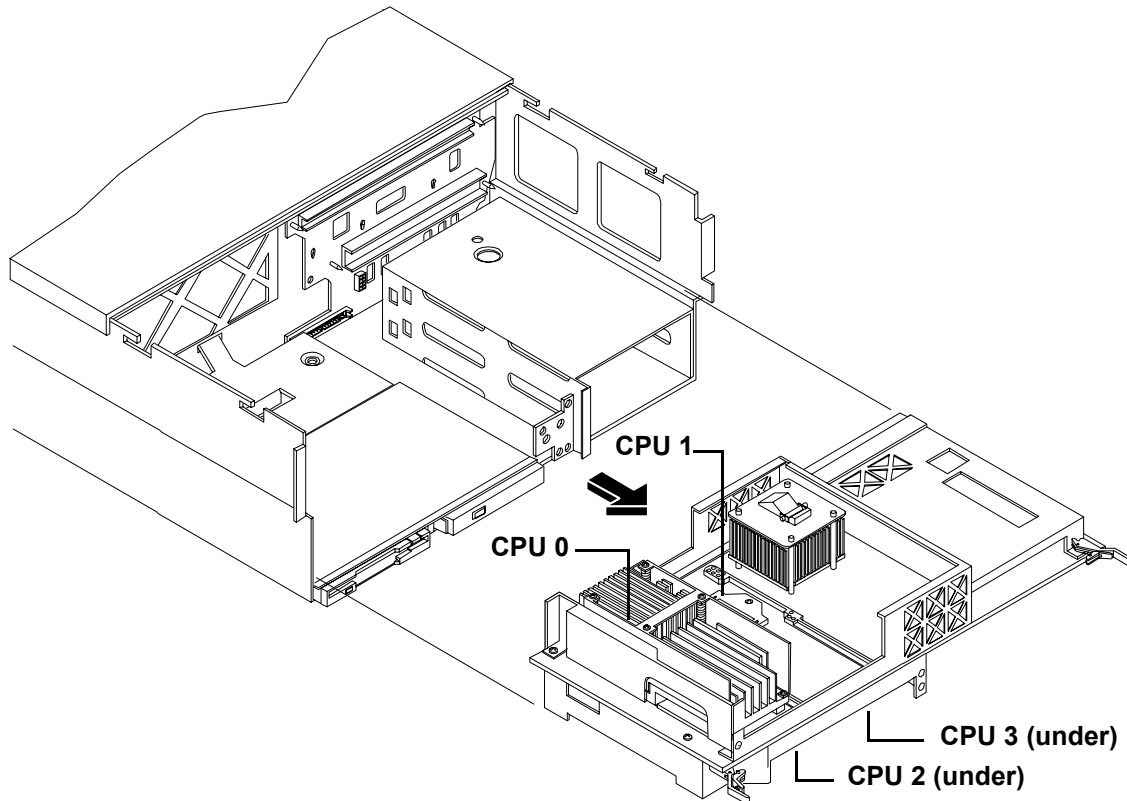
- A3024-80004, Disposable ESD Kit
- A7231-04046, Label-less CPU Install tool

---

**CAUTION** Do not modify the settings of the DIP switches located on the processor extender board. These switches are for factory use. Failure to observe this caution will result in system failure.

---

**Figure 4-7 Removing the Processor Extender Board**



### Installing a Processor on the Extender Board

To install a processor on the extender board, perform the following steps:

---

**WARNING** Hazardous voltages are present inside the HP Server. Always remove the AC power cords from the server and associated assemblies while working inside the unit. Serious injury may result if this warning is not observed.

---

Prior to installing a processor into your system, read the following instructions carefully and refer to [Figure 4-10, Installing Processor on Extender Board](#) for a complete understanding of this process.

- Step 1.** If rack mounted, slide the HP Server out from the rack until it stops. See “Accessing a Rack Mounted Server” on page 121.
- Step 2.** Remove the front bezel. See “Front Bezel” on page 124.
- Step 3.** Remove the front cover. See “Removing the Front Cover” on page 127.
- Step 4.** Press the latch on each extraction lever located on each side of the processor extender board.

- Step 5.** Pull out on the extraction levers to unplug the processor extender board from the socket located on the midplane riser board and pull the extender board straight out.
- Step 6.** Using an antistatic wrist strap place the extender board on a grounding mat (Electrically Conductive Field Service Grounding Kit-HP 9300-1155).
- Step 7.** Ensure the cam on the processor socket lock is in the unlocked, counterclockwise position.
- Step 8.** Carefully lower the processor, without the sequencer clamp, onto the processor socket. Align the pins on the bottom of the heatsink to the slots in the retention frame on the extender board.

---

**CAUTION** Test the alignment of the assembly to the socket by gently moving the assembly back and forth with the palm of your hand—you should feel little or no sideplay. However, because the assembly is not yet tightened, it may tilt slightly towards the center of the extender board—this is acceptable.

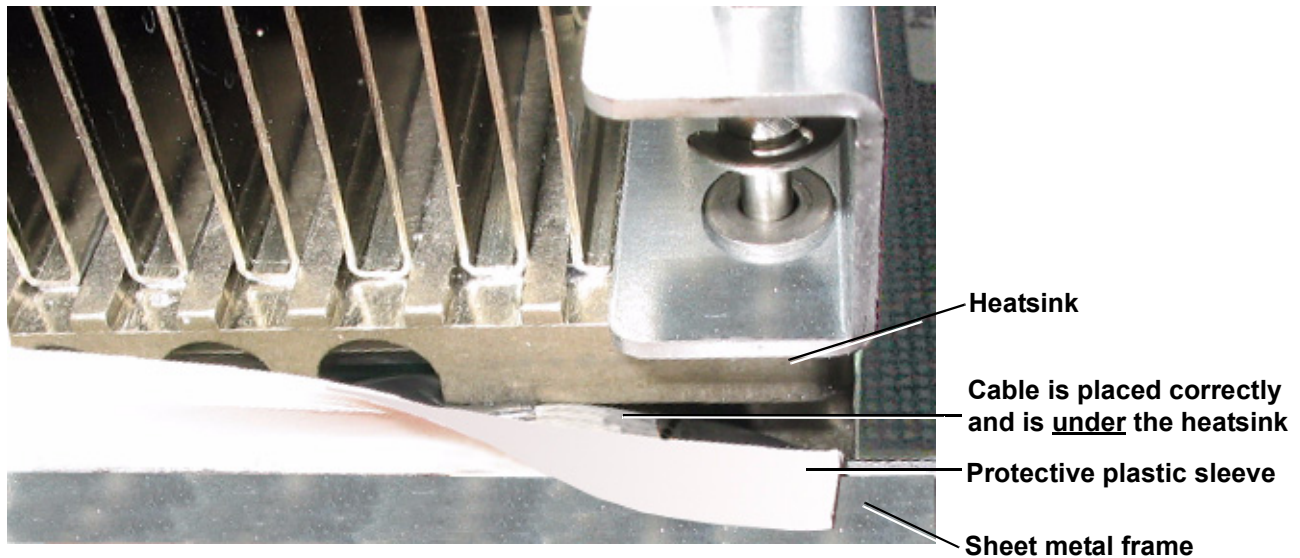
---

---

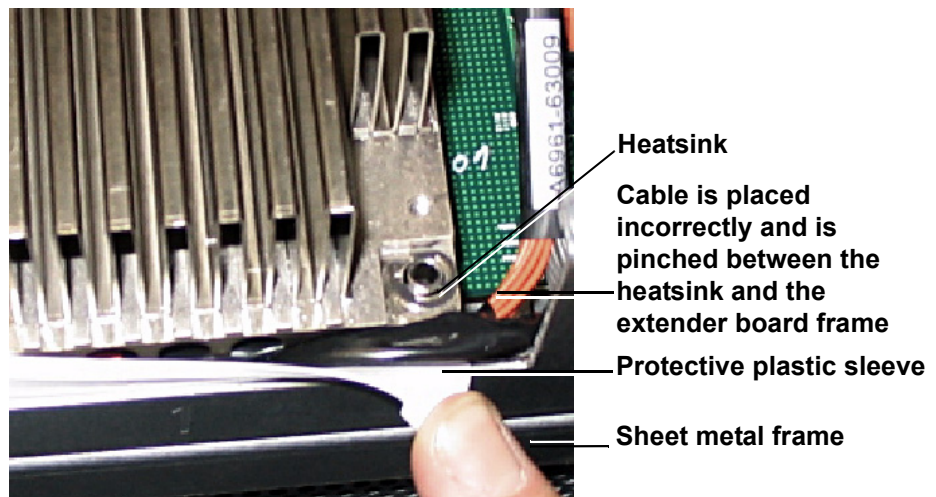
**CAUTION** Before locking the processor assembly into its socket, ensure that the power cable is not pinched between the heatsink and sheet metal frame of the extender board. Also, ensure that the two power cable ends attached to the CPU assembly do not come unplugged from their sockets when you move the cable into place under the heatsink. See *Figure 4-8, Processor Cable Placed Correctly* and *Figure 4-9, Processor Cable Placed Incorrectly*.

---

**Figure 4-8 Processor Cable Placed Correctly**



**Figure 4-9 Processor Cable Placed Incorrectly**



**Step 9.** Lock the assembly to the socket by rotating the cam on the socket 180 degrees clockwise, using a 2.5 mm driver (Allen wrench).

---

**CAUTION** When rotating the locking cam, hold the palm of your hand on top of the assembly and exert light pressure. This ensures that the assembly stays flush and level to the socket while it is being tightened.

---

**Step 10.** Plug in the processor cable to its socket on the extender board.

**Step 11.** Place the sequencer frame over the processor.

**Step 12.** Using your fingers, hand-tighten the 2 knurled thumbscrews on the sequencer frame just until the screw stops turning.

---

**CAUTION** Do not tighten the other 4 shoulder screws until you have first hand-tightened the 2 knurled thumbscrews.

---

**Step 13.** Using the supplied Torx T15 driver, tighten the 4 remaining T15 shoulder screws until they just bottom out. Follow the tightening sequence shown in Figure 4-10, “Installing Processor on Extender Board.”

---

**CAUTION** Do not overtighten the 4 shoulder screws—they may shear off if overtightened. Stop tightening the shoulder screws when you feel them just bottom out.

---

**Step 14.** Using the supplied Torx T15 driver, finish tightening the 2 thumbscrews.

---

**CAUTION** Do not overtighten the 2 thumbscrews—they may shear off if overtightened. Tightening the thumbscrews 1/4 turn will tighten them sufficiently.

---

**Step 15.** Replace the extender board into the chassis.

**Step 16.** Replace the front cover.

**Step 17.** Replace the front bezel.

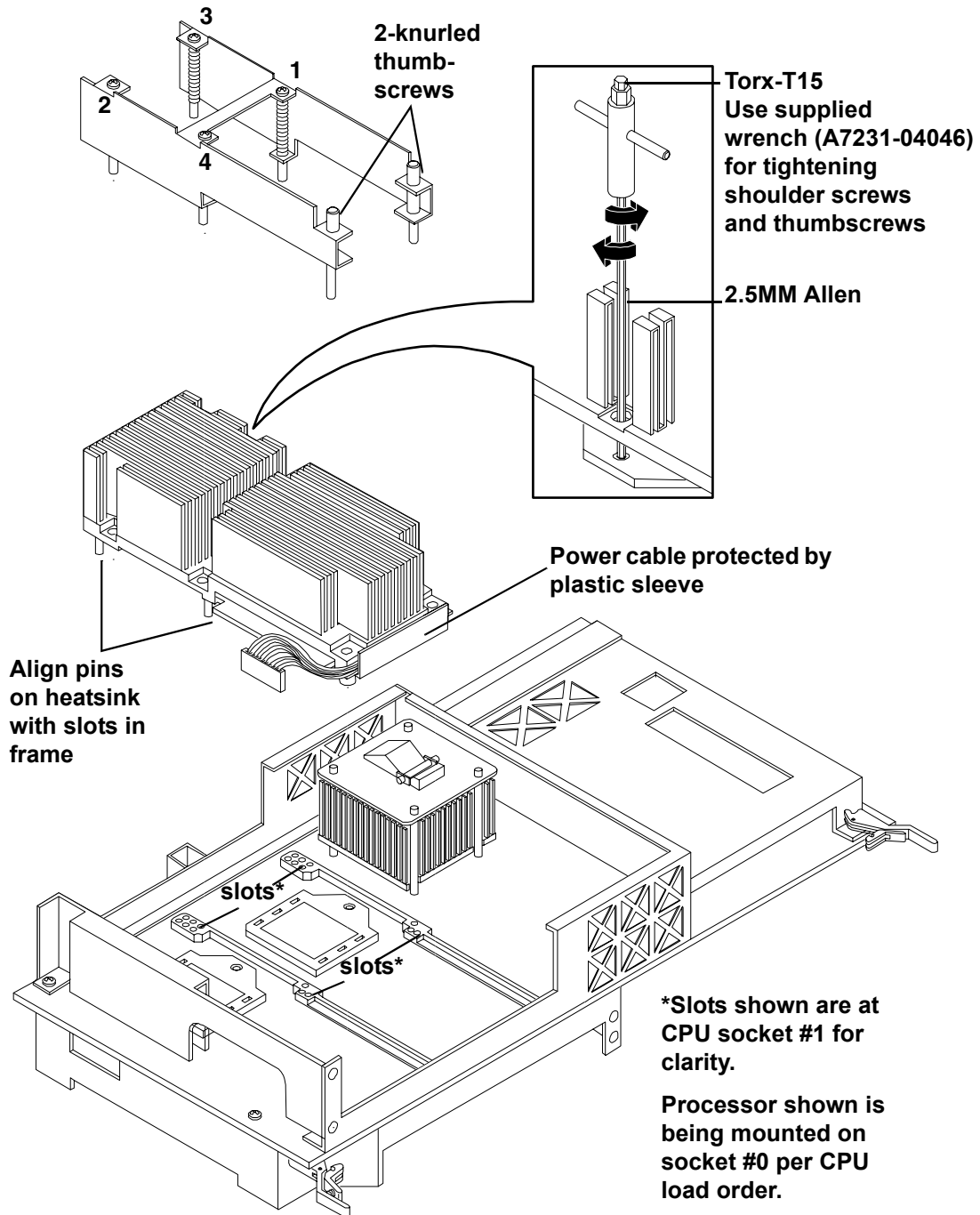
**Step 18.** If rack mounted, slide the HP Server into the rack until it stops.



### Figure 4-10 Installing Processor on Extender Board

Tightening sequence for 4-shoulder screws  
is 1, 2, 3, 4

**DO NOT OVERTIGHTEN!** See Step 13



## Installing Memory

Your hp 9000 rp4440 Server comes with a sixteen DIMM memory extender board that is minimally configured with 1GB of memory (four 256Mb DIMMs loaded in quad 0-(slots 0A,0B,0C,and 0D). See Figure 4-11, “16 DIMM Extender Board Minimum Configuration.”

An optional thirty-two DIMM memory extender board is available to replace the sixteen DIMM memory extender board and must also be minimally configured with 1GB in quad 0. See Figure 4-12, “32 DIMM Extender Board Minimum Configuration.”

You may insert additional DIMMs into both sixteen and thirty-two DIMM boards. When adding DIMMs, you must use a minimum of four like-sized DIMMs in the next available quad.

### Supported DIMM Sizes

Supported DIMM sizes are 256MB, 512MB, 1GB, 2GB. Dissimilar DIMM sizes may be used across the entire extender board but all four DIMMs in each quad must match. For cooling purposes, DIMM fillers must be used in unused slots.

### DIMM Slot Fillers

Both the sixteen and thirty-two DIMM extender boards have DIMM slot filler boards placed over all unfilled DIMM slots. As you fill DIMM quads with additional memory you must remove the DIMM slot fillers covering the affected slots. All remaining DIMM fillers in unused slots must remain in place to maximize internal cooling. See Table 4-2 on page 51 and Table 4-3 on page 51.

---

**NOTE** One DIMM filler board covers two adjacent DIMM slots. As a general rule, only remove DIMM slot fillers as you add memory and you will always retain the correct configuration.

---

**Table 4-2 DIMM Filler Requirements for 16 DIMM Extender Board**

<b>16 DIMM Extender Board</b>	
<b>DIMMs Loaded</b>	<b>Fillers Required<sup>a</sup></b>
4 DIMMs in quad 0	6 fillers total: 2 fillers in quads 1, 2, and 3  (All quads filled)
8 DIMMs in quads 0 and 1	4 fillers total: 2 fillers in quads 2 and 3  (All quads filled)
12 DIMMs in quads 0, 1, and 2	2 fillers total: 2 fillers in quads 3  (All quads filled)
16 DIMMs in quads 0, 1, 2, and 3	No fillers required

a. One DIMM filler board covers two adjacent DIMM slots.

**Table 4-3 DIMM Filler Requirements for 32 DIMM Extender Board**

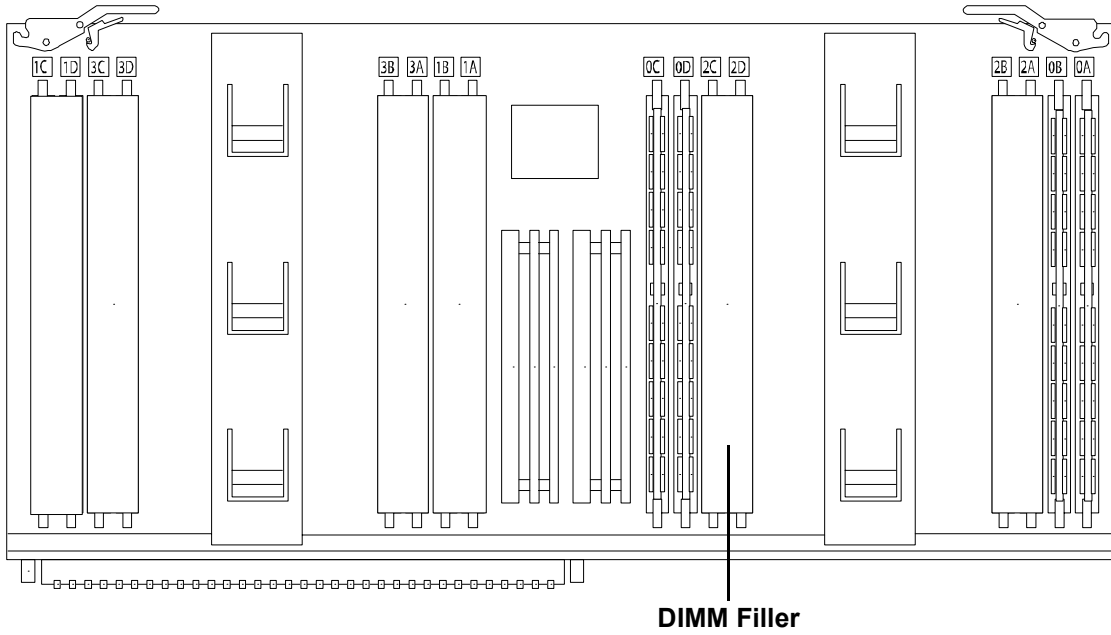
<b>32 DIMM Extender Board</b>	
<b>DIMMs Loaded</b>	<b>Fillers required<sup>a</sup></b>
4 DIMMs in quad 0	12 fillers total: 2 fillers in quads 1, 3, 4, 5, 6, and 7  (quad 2 remains unfilled)
8 DIMMs in quads 0 and 1	8 fillers total: 2 fillers in quads 4, 5, 6, and 7  (quads 2 and 3 remain unfilled)
12 DIMMs in quads 0, 1, and 2	8 fillers total: 2 fillers in quads 4, 5, 6, and 7  (quad 3 remains unfilled)

**Table 4-3 DIMM Filler Requirements for 32 DIMM Extender Board (Continued)**

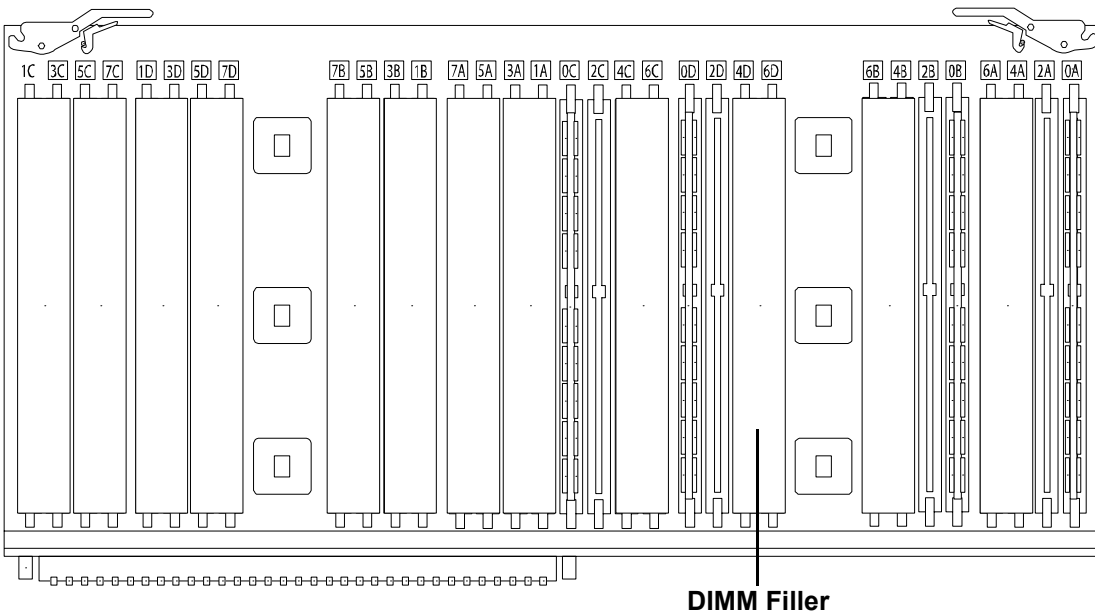
<b>32 DIMM Extender Board</b>	
16 DIMMs in quads 0, 1, 2, and 3	8 fillers total: 2 fillers in quads 4, 5, 6, and 7  (All quads filled)
20 DIMMs in quads 0, 1, 2, 3, and 4	4 fillers total: 2 fillers in quads 5, 7  quad 6 remains unfilled
24 DIMMs in quads 0, 1, 2, 3, 4, and 5	No fillers required
28 DIMMs in quads 0, 1, 2, 3, 4, 5, and 6	No fillers required
32 DIMMs in quads 0, 1, 2, 3, 4, 5, 6, and 7	No fillers required

a. One DIMM filler board covers two DIMM adjacent slots.

**Figure 4-11 16 DIMM Extender Board Minimum Configuration**



**Figure 4-12 32 DIMM Extender Board Minimum Configuration**



## Removing a Memory Extender Board

To remove a memory extender board, perform the following steps:

---

**WARNING**    **Hazardous voltages are present inside the HP Server. Always remove the AC power cords from the server and associated assemblies while working inside the unit. Serious injury may result if this warning is not observed.**

---

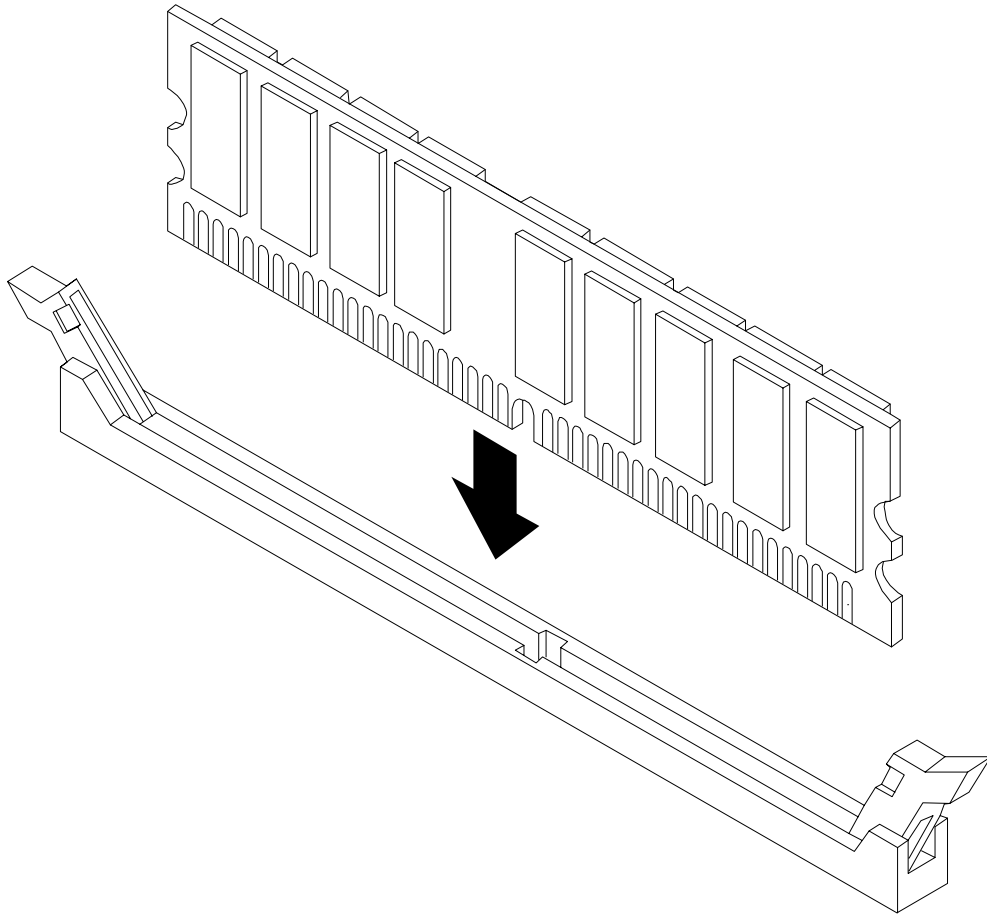
- Step 1.** If rack mounted, slide the HP Server out from the rack until it stops. See “Accessing a Rack Mounted Server” on page 121.
- Step 2.** Remove the front bezel from the chassis. See “Front Bezel” on page 124.
- Step 3.** Remove the front cover from the chassis. See “Removing the Front Cover” on page 127.
- Step 4.** Press each latch on the two extraction levers located on each side of the memory extender board.
- Step 5.** Pull on the extraction levers to unplug the memory extender board from the socket located on the midplane riser board and remove the memory extender board from the chassis.

## Installing DIMMs

To install DIMMs, perform the following steps:

- Step 1.** Align the DIMM with the socket located on the memory extender board.
- Step 2.** Gently and evenly push on each side of the DIMM until it seats in the socket. Ensure that the extraction levers are in the closed position.
- Step 3.** Replace the front and top covers.
- Step 4.** Replace the front bezel.
- Step 5.** If rack mounted, slide the HP Server into the rack until it stops.

**Figure 4-13**      **Inserting DIMM into Extender Board Slot**



### **Replacing a Memory Extender Board**

To replace the memory extender board, perform the following steps:

- Step 1.** Ensure the extraction levers are positioned in the outward, unlocked position.
- Step 2.** Align the memory extender board with the left and right chassis guide slots.
- Step 3.** Slide the memory extender board in until it begins to seat in the socket located on the midplane riser board.
- Step 4.** Push the extraction levers inward to the locked position in order to fully plug in the memory extender board into the midplane riser board.
- Step 5.** Replace the front cover onto the chassis.
- Step 6.** Replace the front bezel onto the chassis.
- Step 7.** If rack mounted, slide the HP Server into the rack until it stops.

---

## Hot-Plug PCI/PCI-X

The hp 9000 rp4440 Server supports PCI/PCI-X hot-plug technology and offers 6 PCI/PCI-X, hot-plug capable slots.

### Hot-Plug PCI/PCI-X Operations

PCI/PCI-X hot-plug technology enables the following operations. For procedures with step-by-step instructions describing how to add, replace, delete, and locate PCI/PCI-X cards see “Hot-Plug Operation Procedures” on page 60.

- **Online Addition (OL-A)**

You can install new PCI/PCI-X expansion cards in previously empty slots without powering down the server.

- **Online Replacement (OL-R)**

You can replace a previously occupied slot with a new PCI/PCI-X expansion card by suspending the driver. This operation combines removing an active card and replacing it with an equivalent capability card. The existing driver for the old card must be compatible with the new card.

---

**CAUTION** A special OL-R requirement for HP-UX 11i v1 is that the card to be inserted (replaced) must be exactly the same as the removed card. This is also known as like-for-like replacement.

---

- **PCI/PCI-X Slot Locate (Locate)**

To easily locate the PCI/PCI-X slot at which you wish to perform a hot-plug operation, you can command the attention LEDs, on the OLX divider and the I/O baseboard, to blink and act as visual cues to the active slot location. This operation is always initiated via a software or web interface, and is optional to the operating system on your HP Server.

### PCI/PCI-X Hardware and Software Interfaces

The following table shows what hot-plug hardware and software interfaces are available on HP-UX 11i v1.

**Table 4-4 Hot-Plug Hardware and Software Interfaces, and OS Availability**

Hot-Plug PCI/PCI-X Interface	HP-UX 11i v1
Hardware interface comprised of: —Attention Button —Manual Retention Latch —Power LED —Attention LED —PCI/PCI-X card lock	Yes
Graphical User Interface	Yes
Command Line Interface (CLI)	Yes. <i>rad</i> command. Read <i>Interface Card OL* Support, olrad Command Line Interface, B2355-90804</i> at <a href="http://docs.hp.com">http://docs.hp.com</a> .



**Table 4-4 Hot-Plug Hardware and Software Interfaces, and OS Availability**

Hot-Plug PCI/PCI-X Interface	HP-UX 11i v1
Web Interface	Yes. <code>pdweb</code> command. Read <i>Interface Card OL* Support, pdweb-Peripheral Device tool Web Interface, B2355-90804</i> at <a href="http://docs.hp.com">http://docs.hp.com</a> .
System Administration Manager (SAM)	Yes. <code>sam</code> command. Performing hot-plug operations in the System Administration Manager is the preferred method. For a complete description of SAM, read <i>HP-UX Reference, HP-UX 11i Version 2, B2355-60103</i> at <a href="http://docs.hp.com">http://docs.hp.com</a> .

## PCI/PCI-X Slot Locations and Configurations

PCI/PCI-X slots are numbered from 1 through 8 in your HP Server. See Figure 4-14, “Slot ID Numbering.”

The following describes configuration requirements for slots 1 through 8:

- PCI slots 1 and 2 are dedicated for use by the core I/O cards—SCSI HBA card in slot 1 and Gigabit Ethernet LAN card in slot 2. Slots 1 and 2 **are not** hot-plug capable. Additional PCI/PCI-X expansion cards **may not** be placed in slots 1 or 2.
- Slot 3 and 4 is the first pair of shared slots, and slot 5 and 6 is the second pair of shared slots. The maximum capability of each of the shared slots is PCI/PCI-X 66MHz. If a PCI/PCI-X 133 MHz card is placed in a shared slot, then the maximum capability the PCI/PCI-X 133 MHz card will run at is PCI/PCI-X 66MHz. If different modes (PCI vs. PCI/PCI-X) or slower speeds (33 MHz) are used, then the slot to be used will automatically downgrade to accept the change.

Shared slots have card compatibility restrictions. If one of the shared slots is occupied then the card being added to the second slot is limited by the configuration of the occupied slot. If the new card has a slower capability than the current bus configuration, it will be rejected. If the new card has a faster capability than the current bus configuration, it will only run at the bus mode and frequency of the current bus configuration (slower).

1. If you have a 66 MHz card in slot 3, and you hot-plug insert a 33 Mhz card into slot 4, then the operation will not succeed. The new 33 MHz card will not initialize and the slot will power down because you cannot change bus speed during hot-plug operations.

---

**NOTE** If the system is rebooted in the new configuration, then both cards will initialize to run at 33 MHz. This is because the system firmware can only change the bus capability down to the lowest common value.

---

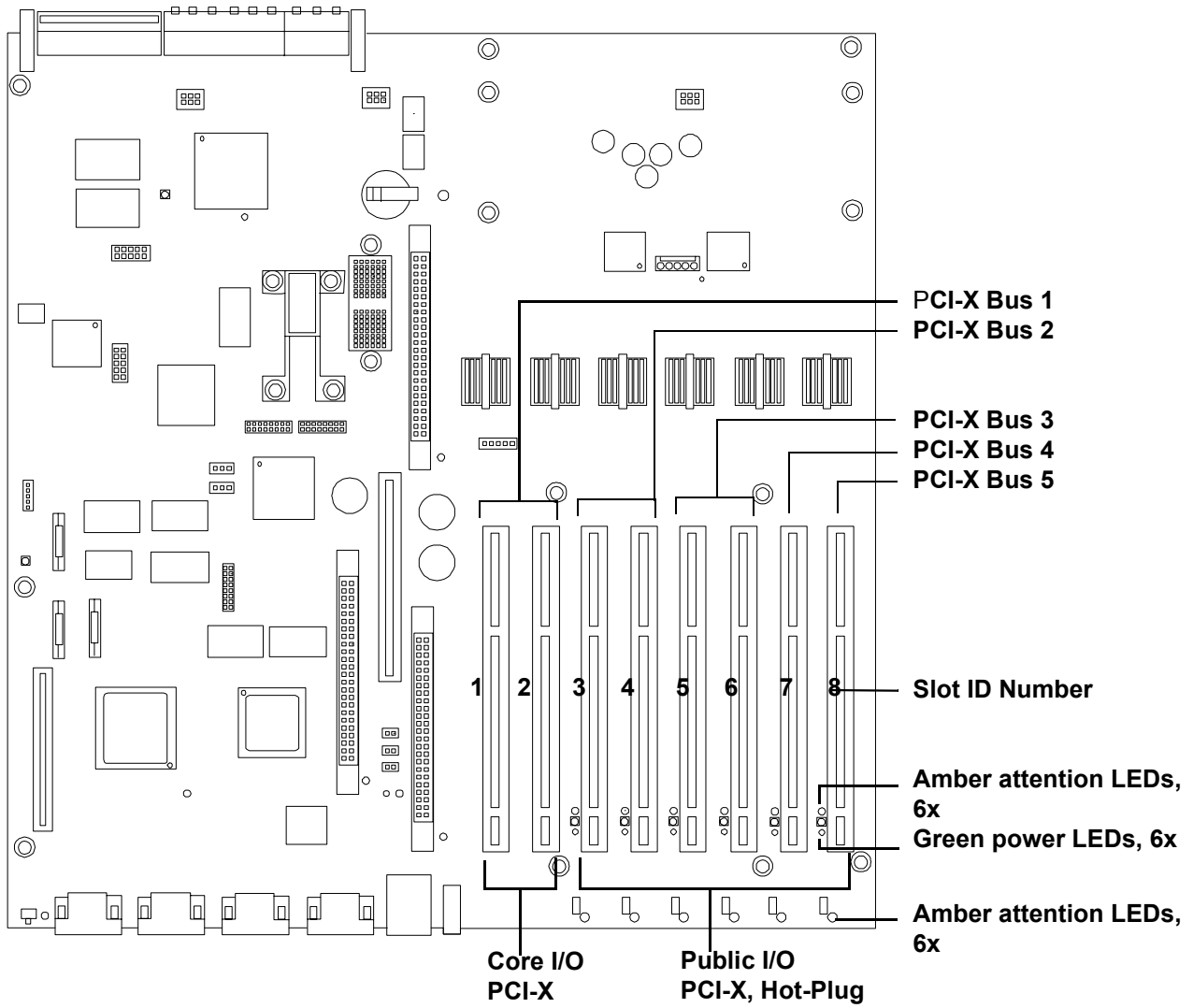
2. If you have a 33 MHz card in slot 3, and you hot-plug insert a 66 Mhz card into slot 4, it will work but the new card will run at 33 MHz. This also applies to slots 5 and 6, as they are shared (both use a common bus).
  3. If your unit is powered down, and you insert a 33 MHz card into slot 4 (that shares a 66 MHz card in slot 3), then both cards will run at 33 MHz when the unit is powered up. This also applies to slots 5 and 6, as they are shared (both use a common bus).
- Slots 7 and 8 are single slots. The maximum capability of each slot is PCI/PCI-X 133MH. Only slots 7 and 8 will allow 133 Mhz, PCI/PCI-X cards to run at full speed. These two slots are not limited by bus-mode, frequency-related incompatibilities.

**Table 4-5 PCI/PCI-X Card vs. Slot Frequency/Bus Mode Compatibility for Shared Slots<sup>a</sup>**

Current PCI Bus Mode and Frequency for the Current Card in a Shared Slot	Cards to be installed			
	PCI 33	PCI 66	PCI-X 66	PCI-X 133
<b>PCI 33 MHz</b>	Compatible <sup>b</sup>	Compatible <sup>b</sup> New card running at PCI 33	Compatible <sup>b</sup> New card running at PCI 33	Compatible <sup>b</sup> New card running at PCI 33
<b>PCI 66 MHz</b>	Incompatible-Frequency <sup>c</sup>	Compatible <sup>b</sup>	Compatible <sup>b</sup> New card running at PCI 66	Compatible <sup>b</sup> New card running at PCI 66
<b>PCI-X 66 MHz</b>	Incompatible-Frequency <sup>c</sup>	Incompatible-Bus <sup>d</sup>	Compatible <sup>b</sup>	Compatible <sup>b</sup> New card running at PCI-X 66
<b>PCI-X 133 MHz<sup>e</sup></b> Running at PCI-X 66MHz)	Incompatible-Frequency <sup>c</sup>	Incompatible-Frequency <sup>c</sup>	Compatible <sup>b</sup> New card	Compatible <sup>b</sup> New card running at PCI-X 66

- a. NOTE: The conditions described in this table apply only to shared slots (slots 3,4-bus 2 and 5,6-bus 3). Slots 7 and 8 are not shared slots.
- b. Compatible: card is accepted and runs at frequency shown.
- c. Incompatible-Frequency: card is rejected. The new card will not initialize and will power down due to frequency mismatch.
- d. Incompatible-Bus: Card is rejected. The new card will not initialize and will power down due to bus mode mismatch.
- e. Maximum bus mode and frequency supported on shared slots is PCI-X 66 MHz.

**Figure 4-14 Slot ID Numbering**



## Hot-Plug Operation Procedures

The hot-plug procedures described in this section will use the hardware interface only. Software interface procedures are described in Table 4-4 on page 56.

---

**CAUTION** Before adding or replacing a PCI/PCI-X card, determine if that card is critical to your system's operation. If you replace a card that is still operating and it is a critical resource to your system, you may cause undesired system downtime.

---

### Online Addition-(OL-A)

Before installing a PCI/PCI-X card, ensure that the proper drivers for that PCI/PCI-X card are installed.

To add a PCI/PCI-X card into an empty slot, perform the following steps:

- Step 1.** If rack mounted, slide the HP Server out from the rack until it stops. See "Accessing a Rack Mounted Server" on page 121.
- Step 2.** Remove the top cover from the chassis. See "Removing the Top Cover" on page 129.
- Step 3.** Turn the PCI/PCI-X card latch on the chassis ~45 degrees CW. See Figure 4-18 on page 65.
- Step 4.** Pull up on the manual retention latch (MRL) located on the OLX divider until it stops.

---

**CAUTION** Do not pull up on the MRL of a powered-on, occupied slot or your system will crash. This OL-A procedure is for powering down a powered-on, unoccupied slot only. For a detailed procedure on how to power down an occupied slot see "Online Replacement-(OL-R)".

---

- Step 5.** Turn the PCI/PCI-X card latch on the chassis another 45 degrees CW. This fully opens the PCI/PCI-X card slot for insertion of a new card.
- Step 6.** If the new card is full length, open the slider gate bracket. See Figure 4-17 on page 64.
- Step 7.** Ensure that the MRL is already open and insert the PCI/PCI-X card to be added into the empty slot. See Figure 4-16, "Inserting PCI/PCI-X Card."

---

**CAUTION** When inserting the PCI/PCI-X card, be careful you do not accidentally touch an attention button on the other OLX dividers—this will initiate an undesired shutdown of another PCI/PCI-X card/slot.

Also, ensure that you fully seat the card into the slot or undesired results may occur after power is re-applied to the slot.

---

- Step 8.** Turn the PCI/PCI-X card latch on the chassis ~45 degrees CCW. See Figure 4-19 on page 65.
- Step 9.** Push the manual retention latch down until it seats against the chassis wall.
- Step 10.** Turn the PCI/PCI-X card latch another 45 degrees CCW to capture the PCI/PCI-X card and manual retention latch into the closed position.
- Step 11.** If the new card is full length, close the slider gate bracket.

**Step 12.** Press the attention button and the power LED starts to blink. Wait until the power LED goes from blinking to steady-on.

---

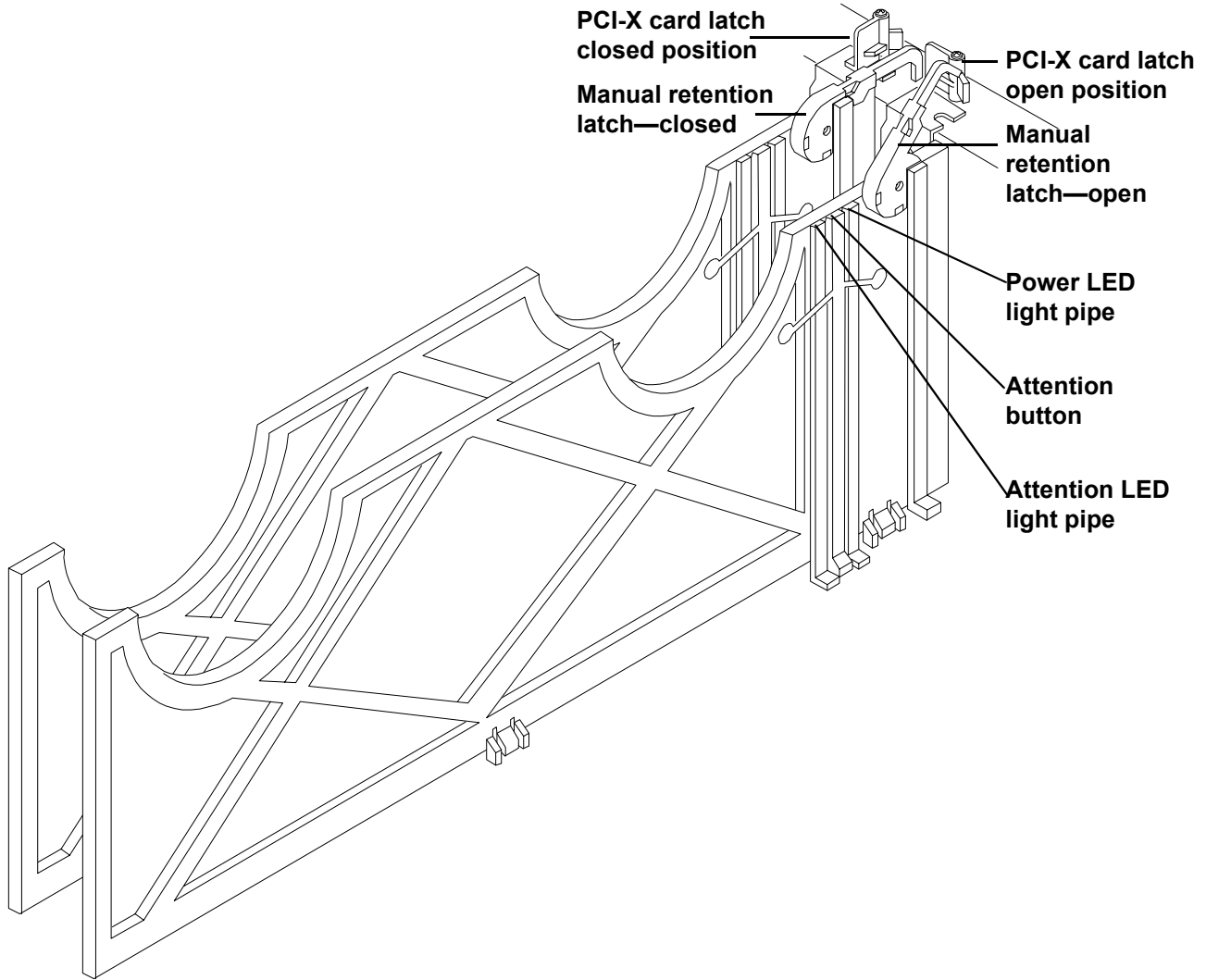
**NOTE**      After pushing the attention button, you have 5 seconds to cancel the operation by pushing the attention button again.

---

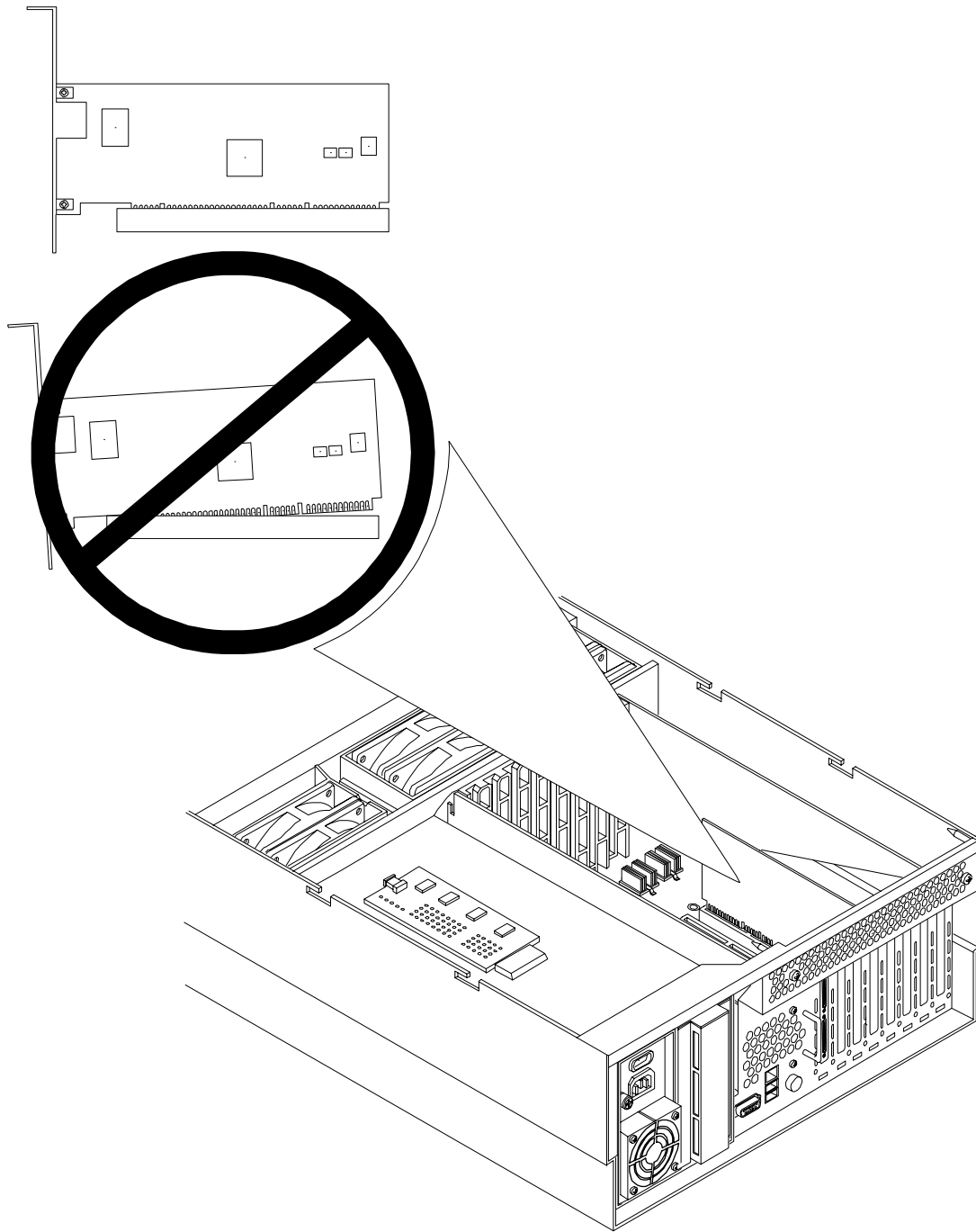
**Step 13.** Replace the top cover.

**Step 14.** Push the HP Server all the way back into the rack until it stops.

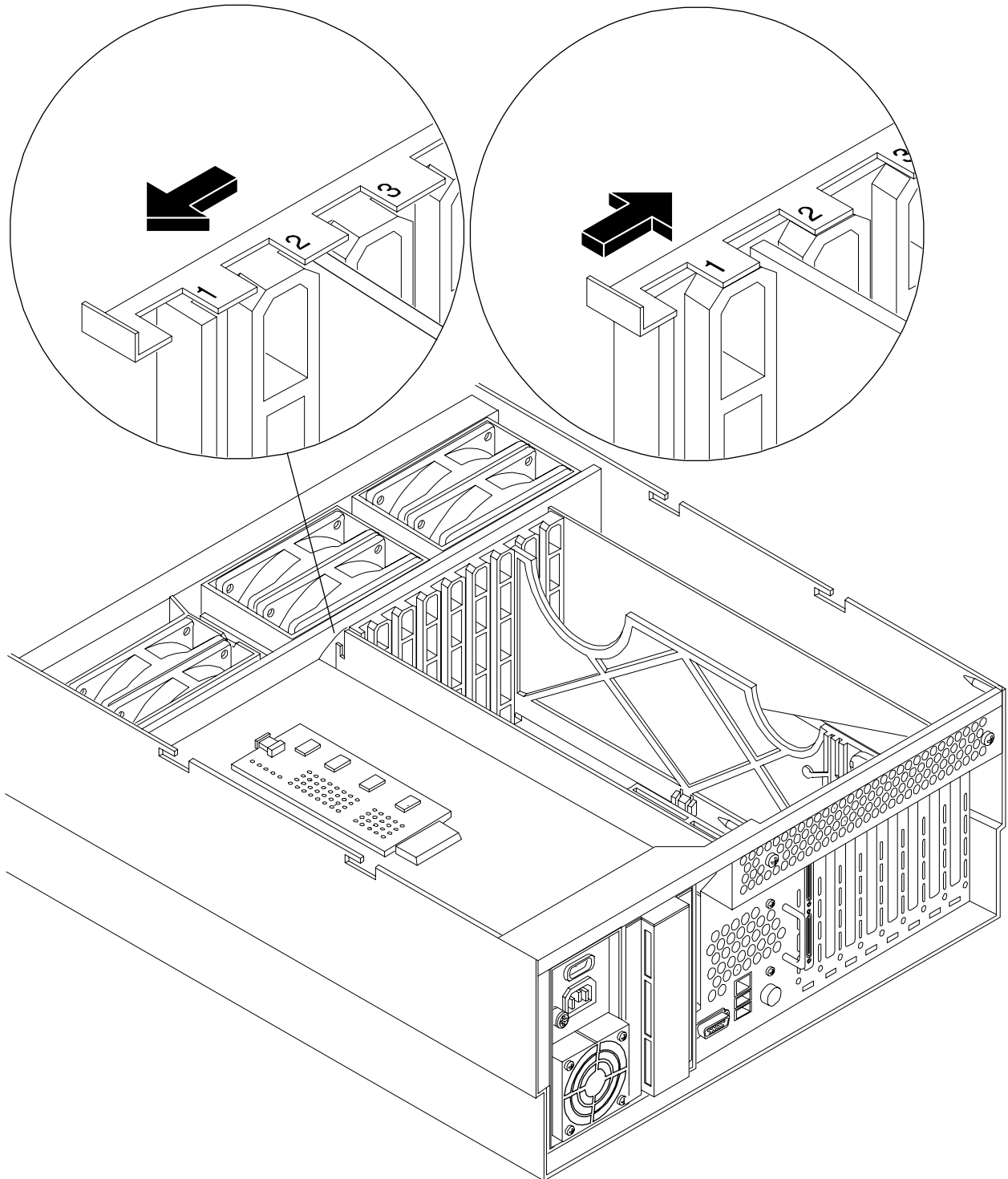
**Figure 4-15** OLX Divider



**Figure 4-16**      **Inserting PCI/PCI-X Card**

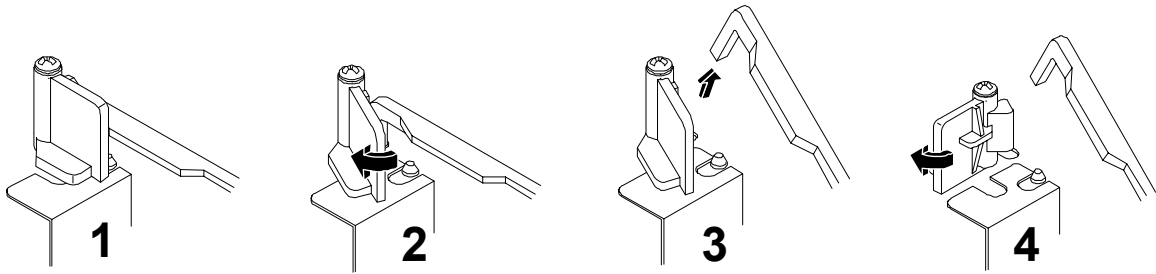


**Figure 4-17** Slider Gate Bracket

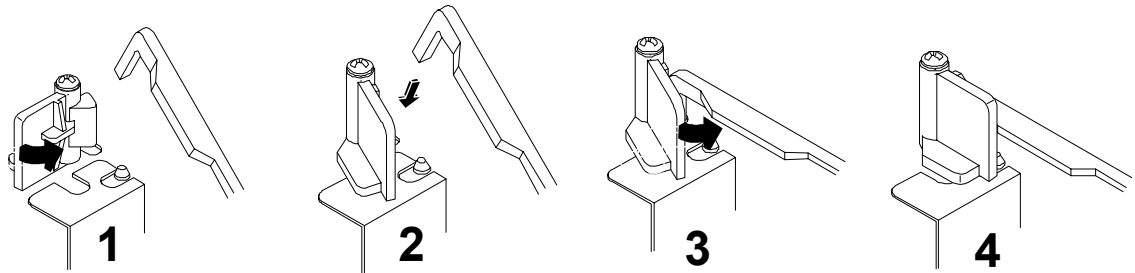




**Figure 4-18 PCI-X Card Latch Opening Sequence**



**Figure 4-19 PCI-X Card Latch Closing Sequence**



## Online Replacement-(OL-R)

---

**CAUTION** For HP-UX 11i v1 only. You can only replace an existing card with a like card.

---

To remove and replace a PCI/PCI-X card into a populated slot, perform the following steps:

- Step 1.** If rack mounted, slide the HP Server out from the rack until it stops. See “Accessing a Rack Mounted Server” on page 121.
- Step 2.** Remove the top cover from the chassis. See “Installing Processors and Memory” on page 43.
- Step 3.** Press the attention button located on the OLX divider controls the affected slot—the power LED starts to blink. Wait until the power LED goes from blinking to steady-off.

---

**NOTE** After pushing the attention button, you have 5 seconds to cancel the operation by pushing the attention button again.

---

- Step 4.** Turn the PCI/PCI-X card latch ~45 degrees on the chassis until the manual retention latch (MRL) is free to pull up. See Figure 4-18 on page 65.
- Step 5.** Pull up on the manual retention latch located on the OLX divider until it stops. See Figure 4-15 on page 62
- Step 6.** Turn the PCI/PCI-X card latch on the chassis another 45 degrees CW. This fully opens the PCI/PCI-X card slot for removal of the card.
- Step 7.** If the new card is full length, open the slider gate bracket. See Figure 4-17 on page 64.
- Step 8.** Remove the existing PCI/PCI-X card from the slot by grasping it at the edges that are exposed by the cutouts in the OLX dividers. See Figure 4-15 on page 62.
- Step 9.** Insert the new PCI/PCI-X card into the powered down slot. See Figure 4-16, “Inserting PCI/PCI-X Card.”

---

**CAUTION** When inserting the PCI/PCI-X card, be careful you do not accidentally touch an attention button on the other OLX dividers—this will initiate an undesired shutdown of another PCI/PCI-X card/slot.

Also, ensure that you fully seat the card into the slot or undesired results may occur after power is re-applied to the slot.

---

- Step 10.** Turn the PCI/PCI-X card latch ~45 degrees CCW. See Figure 4-19 on page 65.
- Step 11.** Push the manual retention latch down until it seats against the chassis wall.
- Step 12.** Turn the PCI/PCI-X card latch another 45 degrees CCW to the closed position. This locks the PCI/PCI-X card into its slot and the manual retention latch into the closed position.
- Step 13.** If the new card is full length, close the slider gate bracket. See Figure 4-17 on page 64.
- Step 14.** Press the attention button—the power LED will start to blink.
- Step 15.** Wait for the power LED to stop blinking—the PCI/PCI-X card is now active.
- Step 16.** Replace the top cover.

**Step 17.** Push the HP Server all the way back into the rack until it stops.

## Understanding LEDs and Hardware Errors

The following table describes the hot-plug LED error conditions.

**Table 4-6 Hot-Plug LED Descriptions**

Power LED-Green	Condition	Description
	On	PCI/PCI-X slot is powered on.
	Blinking	Hot-plug operation in progress—do not touch the slot.
	Off	PCI/PCI-X slot is powered off.
Attention LED-Amber	Condition	Description
	On	Hardware operational fault. <b>NOTE:</b> If slot is powered on, it will not power off. If slot is powered off, it will not power on.
	Blinking	Slot location being indicated. <b>NOTE:</b> If you want to learn how to activate the attention LED into the blinking/indicator state, read <i>Interface Card OL* Support, Turning Attention LED to Blink or Off, B2355-90804</i> at <a href="http://docs.hp.com">http://docs.hp.com</a> .
	Off	If power to slot is on, the slot is functioning normally.

### Troubleshooting PCI/PCI-X Hot-Plug Operations

Sometimes a PCI/PCI-X card will not come online during a hot-plug operation due to a frequency mismatch between the PCI/PCI-X card and the slot bus or due to other hardware errors. To determine the type of error you are experiencing, observe the LED activity as described below. For a full understanding and description of HP-UX 11i v1 hardware errors, read *Interface Card OL\* Support, Important Considerations, B2355-90804* at <http://docs.hp.com>.

#### 1. PCI/PCI-X Bus Mode or Frequency Mismatch

After you insert a PCI/PCI-X card into the slot and push the attention button, the power LED goes from blinking to steady-off and stays at steady-off; This means that the system firmware has rejected the PCI/PCI-X card and indicates either bus-frequency or bus-mode mismatch.

---

**NOTE** After pushing the attention button, ensure that you wait the full duration of the 5 second operation cancellation window before taking further action.

---

#### 2. Hardware Operation Fault

If the PCI/PCI-X card cannot be powered on during a hot-plug addition operation, the attention LED will turn steady-on and the power LED will go steady-off.

---

**CAUTION** If your card will not power up, the power loss may be due to the existing PCI/PCI-X expansion cards using all the available power. Check the power ratings of your existing PCI/PCI-X cards. A known cause of power loss is the use of more than 3 PCI/PCI-X RAID cards in your system. Therefore, do not use more than 2 RAID cards in any of the slots in your HP Server

---

If the PCI/PCI-X card cannot be powered off during a hot-plug removal operation, the attention button will turn steady-on and the power LED will remain steady-on.

---

**CAUTION** If your slot does not power off during a hot-plug removal operation, do not open the manual retention latch (MRL) on the OLX divider. This action causes system failure or operating system crashes.

---

---

## Converting SCSI From Simplex to Duplex

This section explains how to convert your hp 9000 rp4440 Server from simplex to duplex operation. The process involves removing a jumper, installing a duplex PCA card, and plugging in the stowed channel B cable to the appropriate sockets.

### Safety Information

Follow the procedures listed below to ensure safe handling of components and to prevent harm to both you and the HP Server:

- Use an antistatic wrist strap and a grounding mat, such as those included in the Electrically Conductive Field Service Grounding Kit (HP 9300-1155).
- Handle accessory boards and components by the edges only. Do not touch any metal-edge connectors or any electrical components on accessory boards.
- Do not wear clothing subject to static charge build-up, such as wool or synthetic materials.

---

**WARNING**    **Hazardous voltages are present inside the HP Server. Always remove AC power from the server and associated assemblies while working inside the unit. Serious injury may result if this warning is not observed.**

---

---

**CAUTION**    Some restrictions apply to the mass storage devices that may be connected to your core I/O SCSI HBA. See “Core I/O Connections” on page 76. If you convert your system to duplex configuration, you may not install external SCSI devices to the SCSI HBA core I/O controller.

---

### Accessing the SCSI Backplane Board

Prior to adding the accessories required to convert your hp 9000 rp4440 Server from simplex to duplex you must remove outer components to access the SCSI backplane board. To gain access to the SCSI backplane board perform the following steps:

---

**WARNING**    **Hazardous voltages are present inside the HP Server. Always remove the AC power cords from the server and associated assemblies while working inside the unit. Serious injury may result if this warning is not observed.**

---

**Step 1.** If rack mounted, slide the HP Server out from the rack until it stops. See “Accessing a Rack Mounted Server” on page 121.

---

**NOTE**        If your HP Server is rackless, you need not remove the tubular stand to perform the simplex to duplex conversion. Proceed directly to the next step.

---

**Step 2.** Remove the front bezel. See “Front Bezel” on page 124.

**Step 3.** Remove the front cover. See “Removing the Front Cover” on page 127.

**Step 4.** Remove the memory extender board. See “Memory Extender Board” on page 132.

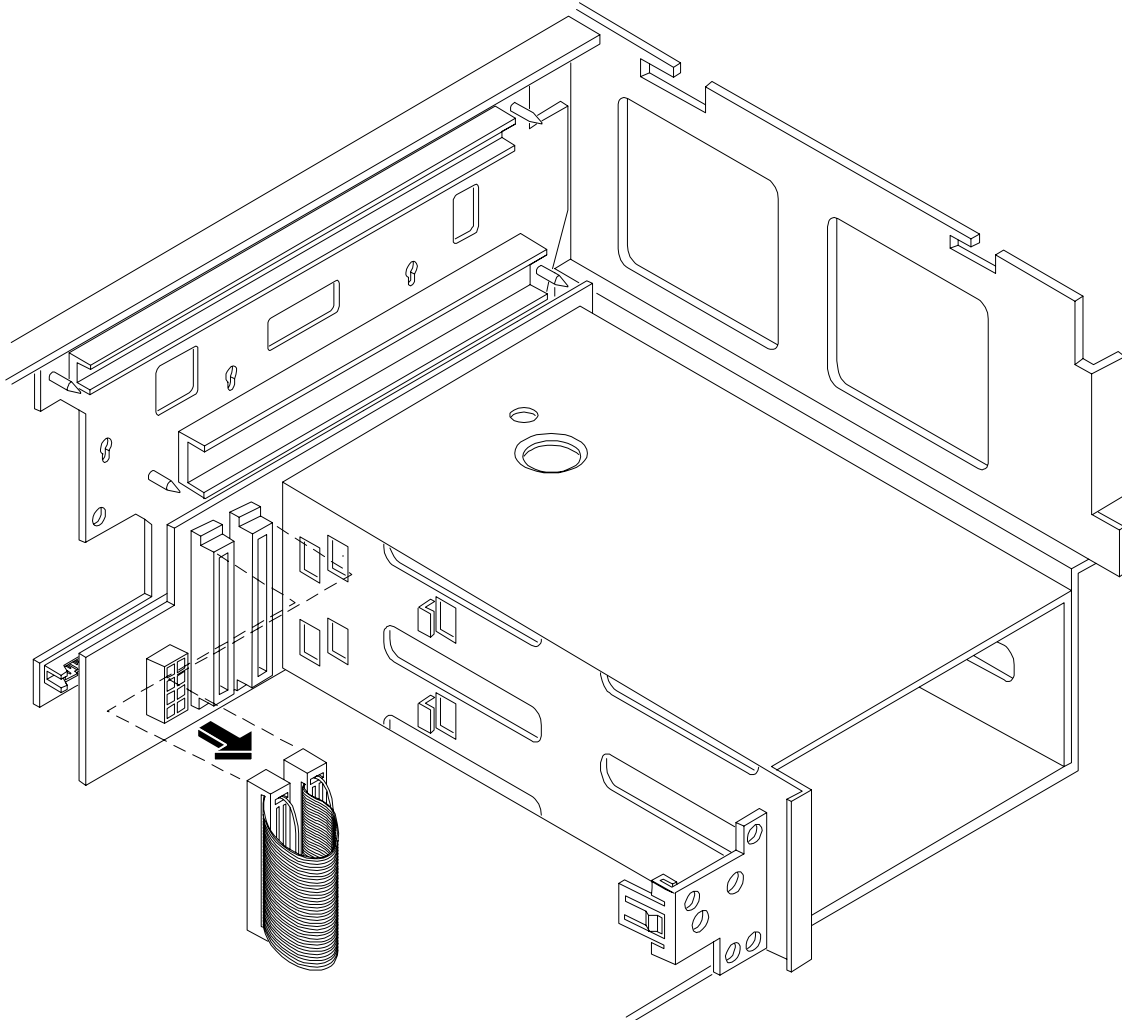
**Step 5.** Remove the processor extender board. See “Memory Extender Board” on page 132.

## Convert to Duplex

To convert to duplex, perform the following steps:

- Step 1.** Remove the SCSI Jumper Cable. A SCSI jumper cable bridges the two SCSI connectors on the SCSI backplane when the server is configured for simplex operation. This jumper must be removed in order to install the duplex board and to connect the SCSI B cable. See Figure 4-20, “Removing the SCSI Jumper Cable.”

**Figure 4-20** Removing the SCSI Jumper Cable



- Step 2.** Install the duplex board. The duplex board is installed in the SCSI connector located nearest the disk drive cage. The duplex board is shipped with a duplex board bracket attached. When the duplex board is properly installed, it is secured to the disk drive cage by the bracket and to the SCSI backplane board by the SCSI connector sockets. See Figure 4-21, “Installing the Duplex Board.”

---

**NOTE** In simplex mode, both hard disk drives, slot 0 and slot 1, are driven by SCSI channel A. When the duplex board is installed, slot 1 hard disk drive is now driven by SCSI channel B. If HP-UX was previously installed and “whole disk vxfs” was not used, the system will no longer boot. Refer to the *HP-UX Installation Guide* for further information.

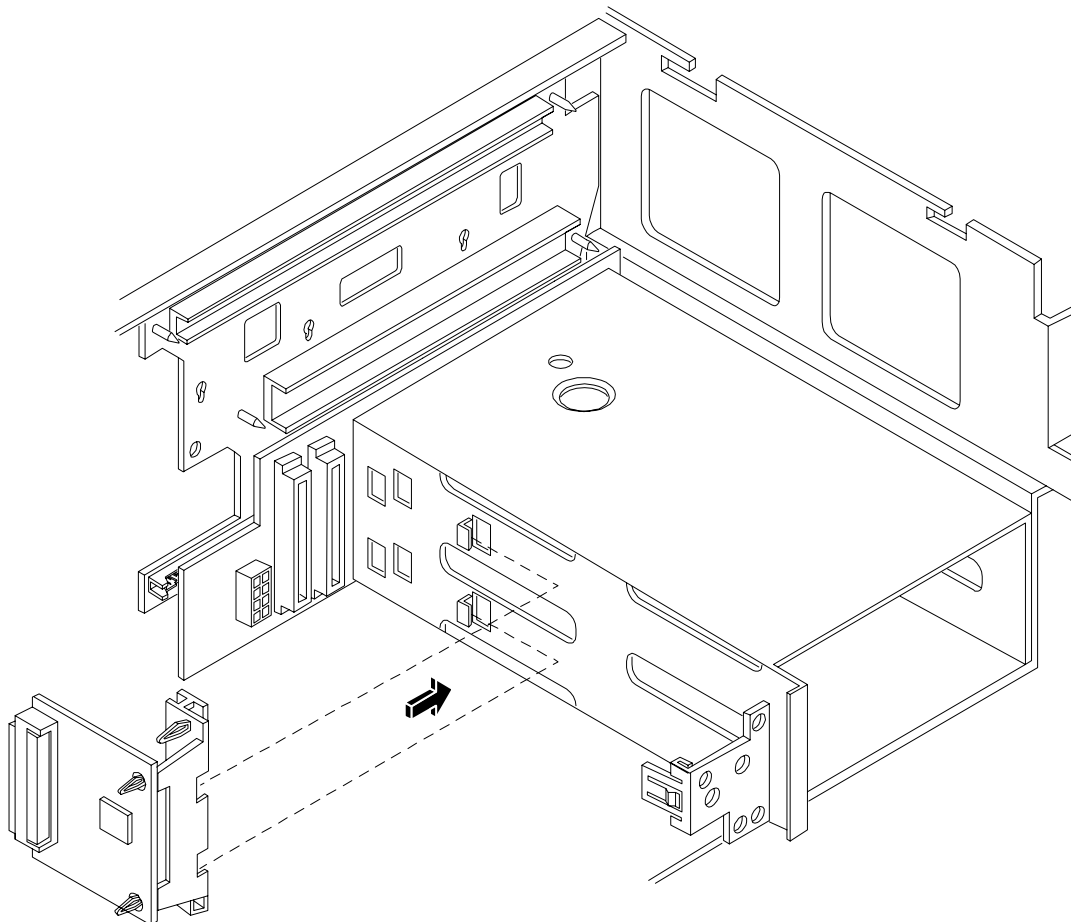
---

- Align the bracket tabs with the slots on the side of the disk drive cage.
  - Press the bracket against the disk drive cage until the bracket locks into place.
  - Align the connector of the duplex board with the connector on the SCSI backplane.
  - Press the board connector into the backplane connector.
- 

**NOTE** When the duplex board is installed properly, the board will be secured in the duplex board bracket. The SCSI B cable will be connected to the connector at the immediate left of the duplex board.

---

**Figure 4-21** Installing the Duplex Board

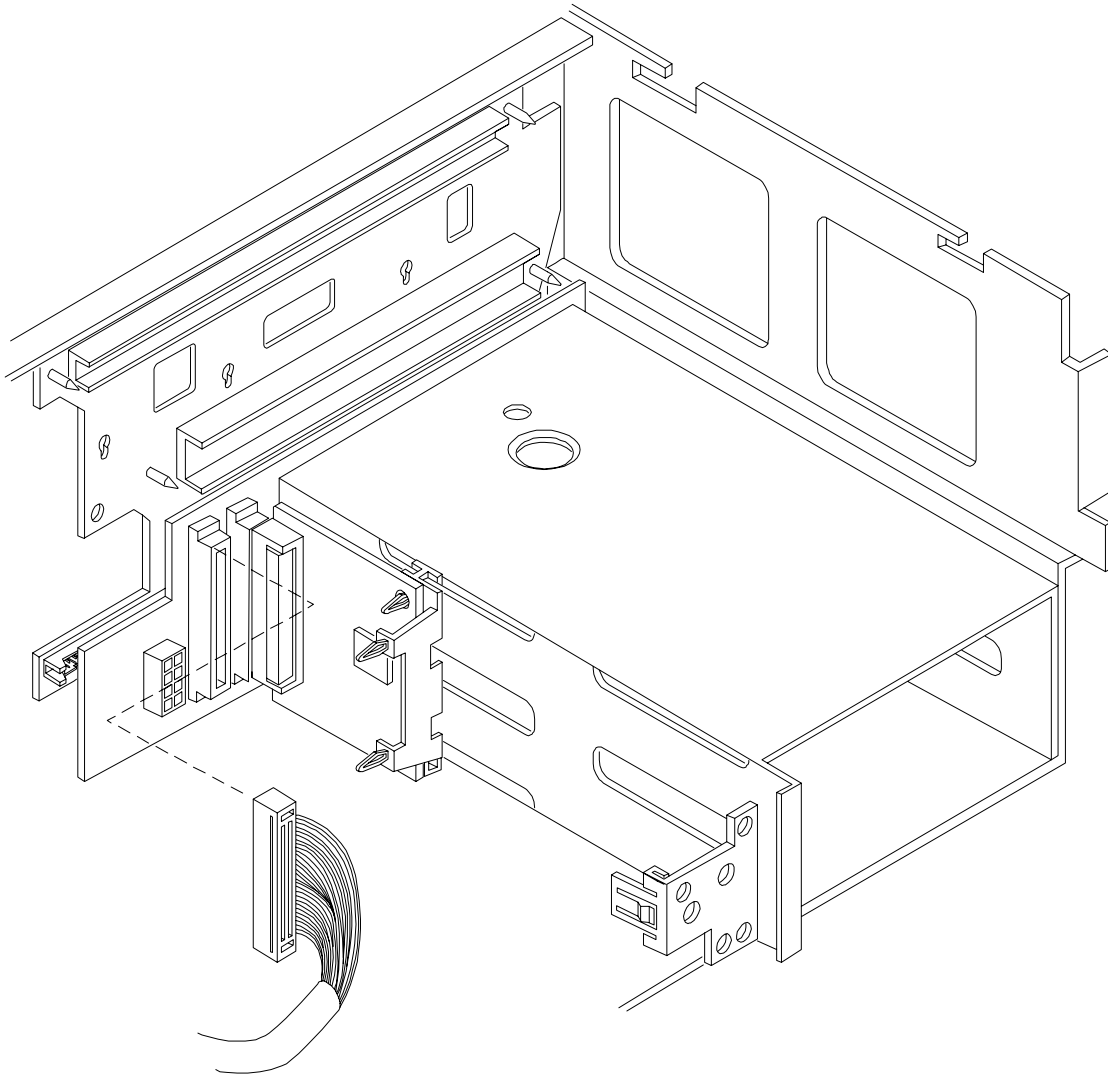




**Step 3.** Install the SCSI cable B to the SCSI backplane board. See Figure 4-22, “Installing SCSI Cable B to the SCSI Backplane.”

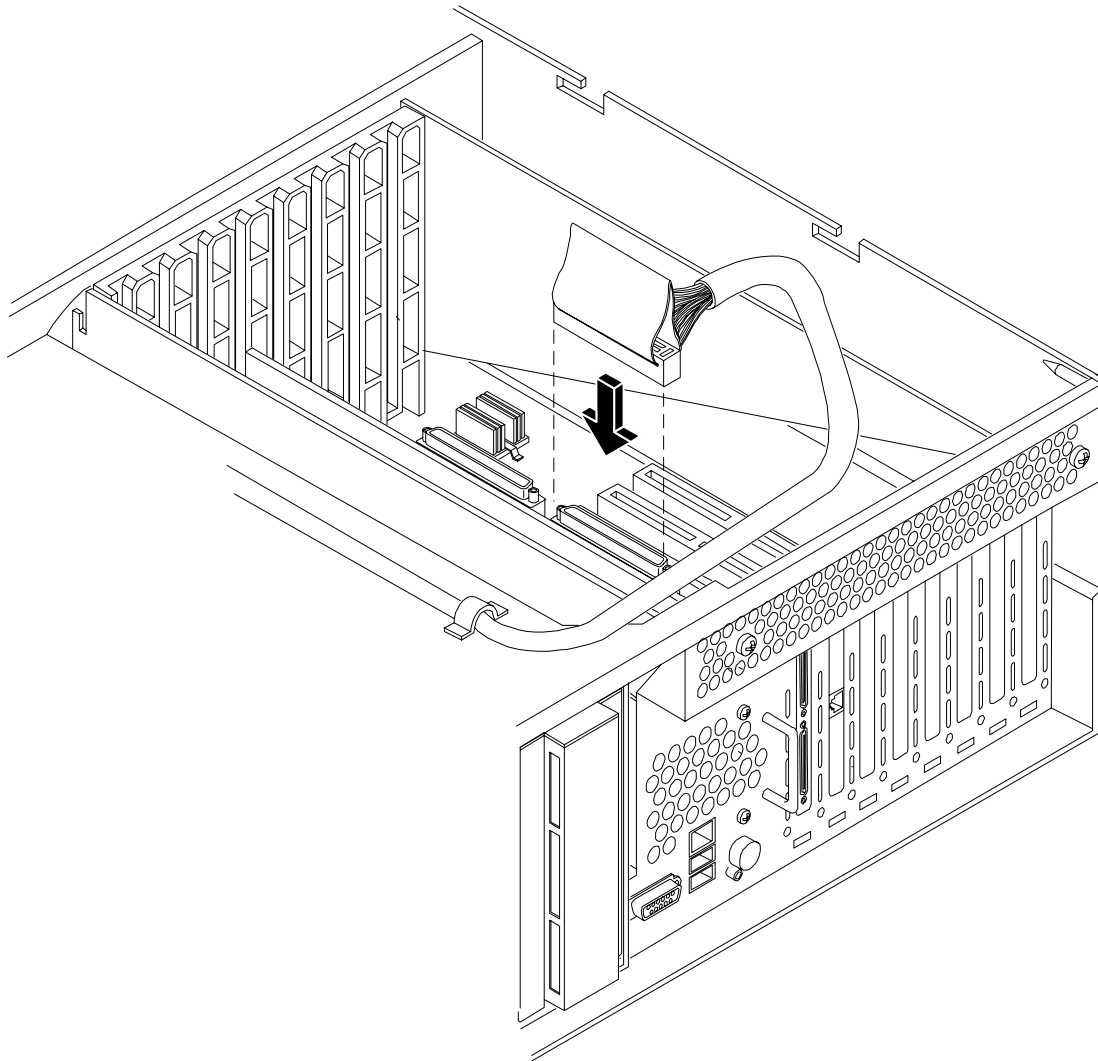
- Release the SCSI B cable from its stowed position within the chassis.
- Plug the SCSI cable B connector into the SCSI connector located on the backplane next to the duplex board installed in the previous step.

**Figure 4-22** Installing SCSI Cable B to the SCSI Backplane



- Step 4.** The SCSI duplex conversion is completed by connecting the other end of SCSI cable B to the SCSI B channel connector on the SCSI adapter board. See Figure 4-23, “Installing SCSI Cable B to the SCSI Adapter Board.”
- a. Release the SCSI B cable from its stowed position within the chassis.
  - b. Plug the SCSI cable B connector into the SCSI B channel connector located at the rear of the board.

**Figure 4-23** Installing SCSI Cable B to the SCSI Adapter Board



## Replacing the Removed Modules

To return the server to operational configuration, perform the following steps:

- Step 1.** Replace the processor extender board.
- Step 2.** Replace the memory extender board.
- Step 3.** Replace the front and top covers.
- Step 4.** Replace the front bezel.
- Step 5.** If rack mounted, slide the HP Server back into the rack until it stops.

## Core I/O Connections

Each hp 9000 rp4440 Server core I/O includes:

- Two USB ports
- One UDMA-100 IDE port (40 pin IDE connector)
- One common server management (CSM)
  - One 10/100 LAN-RJ45
  - Three serial ports
- SCSI host bus adapter (HBA)
  - The SCSI HBA board is required to attach SCSI external mass storage to the system.
  - Connections to the SCSI board include the external SCSI channels for external mass storage devices.

---

**CAUTION** Some restrictions apply to external mass storage devices that you may want to connect to channel B of your core I/O SCSI HBA. External connections to channel B of your SCSI HBA controller are only supported in simplex configuration, when the internal cable between the SCSI backplane and the SCSI HBA card is disconnected. If you convert your system to duplex configuration (see “Converting SCSI From Simplex to Duplex” on page 69), you may not connect external SCSI devices to channel B of the SCSI HBA.

---

- LAN Connection
  - The LAN board provides the basic external I/O connectivity for the system.
  - Connections to the LAN card include one 10/100/1000 Base-T LAN RJ45 connector.

## Management Processor (MP)

The **management processor** is an independent support system for the server. It provides a way for you to connect to your HP Server and perform administration or monitoring tasks for the server hardware.

The management processor controls power, reset, transfer of control (TOC) capabilities, provides console access, displays and records system events, and can display detailed information about the various internal subsystems. The management processor also provides a virtual front panel that can be used to monitor the front panel LEDs from a remote location.

The management processor is available whenever the system is connected to a power source, even if the hp 9000 rp4440 Server main power switch is in the off position.

Access to the management processor can be restricted by user accounts. User accounts can be password-protected and provide a specific level of access to the server and management processor commands.

Multiple users can interact with the management processor. From the MP Main Menu users can select any of the following options: enter management processor command mode, enter console, view event logs, view console history, display virtual front panel, enter console session, or connect to another management processor. Multiple users can select different options from the MP Main Menu at the same time. However, management processor command mode and console mode are mirrored. The MP allows only one user at a time to have write access to the shared console.

## Accessing the Management Processor

You can connect to the management processor using the following methods:

- The local serial port using a local terminal
- The remote console server management port (CSM) using external modem (dial-up) access, if remote modem access is configured
- The management processor LAN port using web console or telnet, if login access through the management processor LAN is enabled

### Local Terminal Access to the Management Processor

Communication with the management processor is established by connecting a terminal to the local CSM I/O serial port.

A terminal session may be established using a standalone terminal, or using terminal emulation software such as Reflection 1 running on a PC.

During installation, communicating with the management processor enables such tasks as:

- Verifying that the components are present and installed correctly
- Setting the LAN IP addresses

### Setting Terminal Parameters

After powering on the terminal, ensure the communications settings are as follows:

- 8/none (parity)
- 9600 baud
- None (receive)
- None (transmit)

If the terminal is a PC using Reflection 1, check or change these communications settings by performing the following steps:

**Step 1.** From the Reflection 1 Main screen, pull down the Connection menu and select Connection Setup.

**Step 2.** Select Serial Port.

**Step 3.** Select Com1.

**Step 4.** Check the settings and change, if required.

Go to More Settings to set Xon/Xoff. Click OK to close the More Settings window.

**Step 5.** Click OK to close the Connection Setup window.

**Step 6.** Pull down the Setup menu and select Terminal (under the Emulation tab).

**Step 7.** Select a supported terminal type.

The preferred type is VT100.

**Step 8.** Click Apply.

This option is not highlighted if the terminal type you want is already selected.

**Step 9.** Click OK.

### Network Access to the Management Processor

By connecting the management processor LAN port to an active network, another host on the same subnet can set the management processor IP address via the `ping` command. After the IP address has been set, a telnet session can be established to configure additional parameters.

To configure the management processor LAN IP address, perform the following steps:

**Step 1.** Determine the medium access control (MAC) address of the management processor LAN interface by viewing the label located at the rear of the server

**Step 2.** Connect a LAN cable on your local subnet to the core I/O LAN port found directly above the two USB ports.

**Step 3.** Add an address resolution protocol (ARP) table entry to another host located on your local subnet. This ARP table entry will map the MAC address of the core I/O LAN interface to the IP address chosen for that interface.

---

**NOTE** Adding an entry to the ARP table is typically done using the `ARP` command with the appropriate option. For example, `arp -s` is used with Windows. Consult your operating system documentation for more information.

---

**Step 4.** Use the `ping` command from the host that has the new ARP table entry. The destination address is the IP address that is mapped to the MAC address of the management processor. The management processor LAN port should now be configured with the appropriate IP address.

**Step 5.** Use the `telnet` command to connect to the management processor from a host on the local subnet.

### Interacting with the Management Processor

To interact with the management processor, perform the following steps:

- 
- NOTE** On initial system installation, the MP has two default user accounts. They are:
1. Administrator level user; login=Admin, password=Admin (both are case sensitive).
  2. Operator level user; login=Oper, password=Oper (both are case sensitive).

For security reasons, it is recommended that the UC command be used during the initial logon session (enter **CM** at the MP> prompt, and enter **UC** at the MP:CM> prompt) to modify default passwords or to delete and create user accounts.

---

- Step 1.** Log in using your management processor user account name and password.
- 

**NOTE** The management processor will start with the MP Main Menu displayed. To follow these steps, make sure you are at the Main Menu. If you are not at the Main Menu, use **CTRL+B** to return to the Main Menu.

---

- Step 2.** Use the management processor menus and commands as needed. Main menu commands are shown in “The MP Main Menu”. Commands not displayed in the MP Main Menu can be accessed in command mode by first using the CM command at the MP prompt. A list of available commands is presented and can be displayed by using the management processor help function (enter **HE** followed by **LI** at the MP> prompt). You can return to the MP Main Menu by typing **CTRL+B**.

- Step 3.** Log out using the X command (enter **X** at the MP> prompt) after returning to the MP Main Menu.

### The MP Main Menu

Main menu commands:

```
MP MAIN MENU:
CO: Console
VFP: Virtual Front Panel
CM: Command Menu
CL: Console Logs
SL: Show Event Logs
CSP: Connect to Service Processor
SE: Create OS Session
HE: Main Menu Help
X: Exit Connection
```

## Configuring Management Processor LAN Information

LAN information includes the management processor network name, the management processor IP address, the management processor subnet mask, the management processor gateway address, and the web console port number.

To set the management processor LAN IP address:

- Step 1.** At the MP Main Menu prompt (MP>), enter **CM** to select command mode.

- Step 2.** At the command mode prompt (MP:CM>), enter **LC** (for LAN configuration).

The screen displays the default values and asks if you want to modify them. It is good practice to write down the information, as it may be required for future troubleshooting. See “The LC Command Screen”.

---

**NOTE** The value in the “IP address” field is set at the factory. The customer must provide the actual management processor LAN IP address.

---

- Step 3.** The current `lc` data is displayed. When prompted to enter a parameter name, `A` to modify All, or `Q` to Quit, enter `A` to select all parameters.
- Step 4.** The current IP address is displayed. When prompted to enter a new value or `Q`, enter the new IP address.
- Step 5.** The current host name is displayed. When prompted to enter a new value or `Q`, enter the new management processor network name.
- This is the host name for the management processor LAN, The name can be up to 64 characters in length, and can include dashes, underlines, periods, and spaces.
- Step 6.** The current subnet mask name is displayed. When prompted to enter a new value or `Q`, enter the new subnet mask name.
- Step 7.** The current gateway address is displayed. When prompted to enter a new value or `Q`, enter the new gateway address.
- Step 8.** The current web console port number is displayed. When prompted to enter a new value or `Q`, just hit `enter`. The message `-> Current Web Console Port Number has been retained will be displayed.`
- Step 9.** The current link state information is displayed. When prompted to enter a new value or `Q`, just press `enter`. The message `-> Current Link State has been retained will be displayed.`
- Step 10.** A new `lc` listing is displayed, including the values entered in the preceding steps. Verify that the desired values have been accepted. When prompted to enter a parameter for revision, `Y` to confirm, or `Q` to Quit, enter `Y` to confirm all parameters.
- Step 11.** Observe the following display:

```
> LAN Configuration has been updated
-> Reset MP (XD command option 'R') for configuration to take effect.
MP Host Name: name
(the name entered in step 5)
MP:CM>
```

- Step 12.** Enter `XD -reset` to reset the MP.
- Step 13.** After the MP resets, log into the MP again. Then enter the MP command mode (enter `CM` at the `MP:` prompt).
- Step 14.** At the `MP:CM>` prompt, enter `LS` to confirm the new LAN settings.
- Step 15.** Enter `SA` to enable/disable web console and telnet access after the MP has been reset.



## The LC Command Screen

### LC commands:

```
MP:CM> lc -ip 127.0.0.1 -host uninitialized -mask 255.255.255.0 -gate 127.0.0.1 -web 2003

New LAN Configuration (* modified value):

* IP Address: 127.0.0.1
* MP Host Name: uninitialized
* Subnet Mask: 255.255.255.0
* Gateway Address: 127.0.0.1
  Link State: Auto Negotiate
* Web Console Port Number: 2023

Confirm? (Y/ {N}) : y

-> LAN configuration has been updated
-> Reset the MP (XD command option 'R' ) for confirmation to take effect.

MP Host Name : uninitialized

MP:CM> xd -reset
```

## Management Processor Commands

**Table 4-7 Management Processor Commands and Descriptions**

Command	Description
BP	Reset BMC passwords
CA	Configure serial port parameters
CE	Log a repair in the history buffer
CL	Display console history
CG	Certificate generator
CO	Return to redirected console mode
CSP	Connect to another service processor
CT	Configure trace
DATE	Display date
DC	Default configuration
DF	Display FRUID
DI	Disconnect remote or LAN console

**Table 4-7 Management Processor Commands and Descriptions (Continued)**

<b>Command</b>	<b>Description</b>
FW	MP firmware upgrade
HE	Display help for menu or command
ID	System information
IT	Modify MP inactivity timers
LC	LAN configuration
LOC	Locator LED control
LS	LAN status
MA	Return to main menu
MR	Modem reset
MS	Modem status
PC	Remote power control
PG	Configure paging
PR	Power restore policy configuration
PS	Power management module status
RB	Reset BMC through toggle GPIO pin
RS	Request BMC to reset system through RST signal
SA	Configure remote/modem-LAN telnet and web access options
SE	Activate a system session on locator remote port
SL	Show logs
SO	Security options and access control
SYSREV	Display all firmware revisions
SS	System status of processor modules
TC	Transfer of control-system reset through INIT signal
TE	Tell-send a message to other users
UC	User configuration
VT	Display software trace
VFP	Virtual front panel
WHO	Display connected management processor users
XD	MP diagnostics and/or reset

---

## Booting the Server

To boot the server, perform the following step.

1. Depress the power switch located to the left of the front panel LEDs.

---

**NOTE** If the front bezel is attached and in the closed position, you will need to open the small door on the front bezel to gain access to the power switch.

---

If the autoboot function is enabled, the system will boot to the installed operating system. If autoboot is not enabled, the system will enter the boot console handler (BCH). The BCH allows you to control the server's booting environment. For more information about the BCH review Chapter 5, "Utilities."



---

# 5 Utilities

---

## Boot Console Handler (BCH)

The boot console handler (BCH) is separate code in processor dependent code (PDC). It has two purposes:

- It lets the bootstrap code know which path to boot from.
- It allows you to interact with PDC to view and/or modify a set of specific system parameters.

Booting is accomplished in the standard PA RISC manner but may be transparent (depending on the state of the autoflags [boot, search, and start]). If the autoflags are clear and you override autobooting, a boot sequence will end up in the interactive portion of BCH where modification and/or viewing of some system parameters is possible.

---

**NOTE** When the autostart flag is off, autoboots will be interrupted if a configuration change occurs which causes reduced performance; thus requiring you to intervene prior to booting to the internal system loader (ISL).

The auto boot will halt at the BCH prompt and you may continue booting by entering `boot`.

---

## BCH Commands

In the interactive portion of BCH there is a Main Menu and five submenus.

**Table 5-1 BCH Commands**

Submenu	Description
B0ot [PRI ALT <path>]	Boot from a specified path
DIisplay	Redisplay the current menu
HElp [<menu> <ommand.>]	Display help for specified command or menu
RESET	Restart the system
MAin	Return to the Main Menu

**Boot Console Handler (BCH)****Main Menu**

The following commands are available in the main menu:

```

---- Main Menu -----

Command                Description
-----                -
BOot [PRI|ALT|<path>]   Boot from specified path
** Path [PRI|ALT|CON|KEY] [<path>] Display or modify a path
SEArch [DISplay|IPL] [<path>] Search for boot devices

COntfiguration menu    Displays or sets boot values
INformation menu       Displays hardware information
SERvice menu           Displays service commands
* DeBug menu           Displays debug commands
MFG menu               Displays manufacturing commands

DISplay                Redisplay the current menu
HElp [<menu>|<command>] Display help for menu or command
RESET                  Restart the system

----

Main Menu: Enter command or menu >

```

\* Not accessible to user.

\*\* You cannot modify the Keyboard path.

## Configuration Menu

The following commands are available in the configuration menu:

Main Menu: Enter command or menu > co

---- Configuration Menu -----

Command	Description
AUto [BOot SEARch STart] [ON OFF]	Display or set specified flag
BootID [<proc>] [<bootid>]	Display or set Boot Identifier
BootINfo	Display boot-related information
BootTimer [0 - 200]	Seconds allowed for boot attempt
CPUconfig [<proc>] [ON OFF]	Config/Deconfig processor
Default	Set the system to predefined values
FAn [HI NORmal]	Display or change fan speed
FastBoot [ON OFF]	Display or set boot tests execution
PAth [PRI ALT] [<path>]	Display or modify a path
SEARch [DISplay IPL] [<path>]	Search for boot devices
TIme [c:y:m:d:h:m:[s]]	Read or set the real time clock in GMT
BOot [PRI ALT <path>]	Boot from specified path
DISplay	Redisplay the current menu
HElp [<command>]	Display help for specified command
RESET	Restart the system
MAin	Return to Main Menu

----

Configuration Menu: Enter command >

The configuration default command sets the following values:

Primary boot path: 0/0/1/0.0  
 Alternate boot path: 0/0/2/0  
 Console path: 0/0/1/0.0  
 Keyboard path: 0/0/4/0.0

**Boot Console Handler (BCH)**

```

Autoboot:          ON
Autosearch:       ON
Autostart:        OFF
BootTimer         0

```

**Information Menu**

The following commands are available from the information menu:

Main Menu: Enter command or menu > in

```

---- Information Menu -----

Command                Description
-----                -
ALL                    Display all system information
BootINfo               Display boot-related information
Cache                  Display cache information
ChipRevisions          Display revisions of major VLSI
COprocessor             Display coprocessor information
FRU                    Display FRU information
FwrVersion             Display firmware version
* IO                   Display I/O interface information
LanAddress              Display Core LAN station address
MEemory                Display memory information
** PRocessor           Display processor information
*** WARNings           Display selftest warning messages

B0ot [PRI|ALT|<path>]  Boot from specified path
DIsplay                Redisplay the current menu
HElp [<command>]      Display help for specified command
RESET                  Restart the system
MAin                   Return to Main Menu

----

```



Information Menu: Enter command >

\* The PCI device information displayed here will include Description, Path, VendorID, DeviceID, Slot#, and bus#.

\*\* Processor command displays system model string

\*\*\*Warnings displayed are:

- System serial number not set
- Support Bus Controller initialization failure
- WARNING: Card in unsupported PCI slot for \_\_system.
- WARNING: Too many cpus for a \_\_ system. System will not boot.
- WARNING: Too much memory for a \_\_\_system.
- WARNING: A fatal error has occurred-system cannot boot. Review warning messages in the information menu

### Service Menu

The following commands are available from the service menu:

Main Menu: Enter command or menu > ser

---- Service Menu -----

Command	Description
-----	-----
CLEARPIM	Clear (zero) the contents of PIM
SCSI [option] [<path>] [<val>]	Display or set SCSI controller values
MemRead <address> [<len>]	Read memory and I/O locations
PDT [CLEAR]	Display or clear the PDT
PIM [<proc>] [HPMC LPMC TOC]	Display PIM information
ProductNum <O C> [<number>]	Display or set Product Number
ScRoll [ON OFF]	Display or change scrolling ability
SELftests [ON OFF]	Enable/disable self test execution
BOot [PRI ALT <path>]	Boot from specified path
DIisplay	Redisplay the current menu
HElp [<command>]	Display help for specified command
RESET	Restart the system

**Boot Console Handler (BCH)**

MAin

Return to Main Menu

----

Service Menu: Enter command >

The ProductNum command is for setting up the Original and/or Current Product Number. The SWID does not get updated automatically on change of the Original Product Number but it can be generated by executing the default command from the Configuration SubMenu.

The SCSI command is for displaying/setting the SCSI controller parameters like initiator ID and speed. These parameters are used by the OS device drivers to program the controller(s). Note that these values are only *suggested* by the device driver; the actual values programmed into the controller may be different.

---

## Management Processor

The **management processor** is an independent support system for the server. It provides a way for you to connect to a server and perform administration or monitoring tasks for the server hardware.

The management processor controls power, reset, Transfer of Control (TOC) capabilities, provides console access, displays and records system events, and can display detailed information about the various internal subsystems. The management processor also provides a virtual front panel that can be used to monitor system status and see the state of front panel LEDs. All MP functions are available via the LAN, local RS-232 and remote RS-232 ports.

The management processor is available whenever the system is connected to a power source, even if the server main power switch is in the off position.

Access to the management processor can be restricted by user accounts. User accounts are password-protected and provide a specific level of access to the server and management processor commands.

Multiple users can interact with the management processor. From the MP Main Menu users can select any of the following options: enter management processor command mode, enter console, view event logs, view console history, display virtual front panel, enter console session, or connect to another management processor. Multiple users can select different options from the MP Main Menu at the same time. However, management processor command mode and console mode are mirrored, The MP allows only one user at a time to have write access to the shared console.

### Accessing the Management Processor

You can connect to the management processor using the following methods:

- The **local RS-232C port** using a local terminal
- The **remote RS-232C port** using external modem (dial-up) access, if remote modem access is configured
- The **management processor LAN port** using Web Console or telnet if login access through the management processor LAN is enabled

### Interacting with the Management Processor

To interact with the management processor, perform the following steps:

**Step 1.** Log in using your management processor user account name and password.

---

<b>NOTE</b>	If the management processor is not displaying the MP Main Menu, use <b>CTRL+B</b> to access the MP Main Menu and the management processor (MP) prompt.
-------------	--

---

**Step 2.** Use the management processor menus and commands as needed. A list of available commands can be displayed by using the management processor help function (in the MP Main Menu, enter **HE** followed by **LI** at the MP HELP: prompt). Log out using the X command (in the MP Main Menu, enter **X** at the MP> prompt) when done.

## Management Processor Command Interface

Use the management processor menus and commands as needed. The login screen, which includes the Main Menu, is shown below. Main Menu commands (CO, VFP, CM, CL, CSP, SE, SL, HE, and X) can be entered after the MP prompt. Commands not displayed in the MP Main Menu can be accessed in command mode by first using the CM command at the MP prompt. (A list of available commands can be displayed by using the management processor help function. Display the list of commands as follows: in the MP Main Menu, enter **HE** after the MP> prompt, then enter **LI** after the MP HELP: prompt.) You can return to the MP Main Menu by typing **CTRL+B**.

### MP Welcome Screen

MP Welcome screen commands:

```
MP Login: Admin
MP password: *****
Hewlett-Packard Management Processor
(C) Copyright Hewlett-Packard Company 1999-2003. All rights reserved
System Name: xxxxxxxxxx
```

```
MP MAIN MENU:
CO:Console
VFP:Virtual Front Panel
CM:Command Menu
CL:Console Log
SL:Show Event Logs
CSP:Connect to Service Processor
```

MP commands are described in the following paragraphs.

## Management Processor Commands

**Table 5-2 Management Processor Commands and Descriptions**

Command	Description
BP	Reset BMC passwords
CA	Configure asynch/serial ports
CG	Certificate generator
CL	View console log
CM	Select command mode
Ctrl+B	Return to MP main menu
CO	Select console mode
CSP	Connect to service processor
DATE	Date display
DC	Default configuration
DF	Display FRU information
DI	Disconnect remote or LAN console
FW	Upgrade MP firmware
HE	Display help for menu or command
ID	System information
IT	Inactivity timeout settings
LC	LAN configuration
LOC	Locator LED display and configuration
LS	LAN Status
MR	Modem reset
MS	Modem status
PC	Remote power control
PG	Paging parameter setup
PS	Power management module status
RB	Reset BMC
RS	Reset system through RST signal
SA	Set access
SE	Enter OS session
SL	Show event logs

**Table 5-2 Management Processor Commands and Descriptions (Continued)**

Command	Description
SO	Security options
SS	System processor status
SYSREV	Current system firmware revisions
TC	Reset via transfer of control (TOC)
TE	Tell-send a message to other users
UC	User configuration
VFP	Virtual front panel
WHO	Display connected management processor users
X	Exit management processor and disconnect
XD	Diagnostics and/or reset of management processor

### Reset BMC Passwords

BP: Reset BMC Passwords

This command resets BMC passwords (both USER and ADMIN passwords).

### Configure Serial Port Parameters

CA: Configure local and remote serial port parameters

Set up the local serial port parameters as follows:

- **TERMINAL TYPE:** Vt100 vs HPterm
- **BAUD RATES:** Input and output data rates are the same; 300, 1200, 2400, 4800, 9600, 38400, 115200 bit/sec.
- **FLOW CONTROL:** Hardware uses RTS/CTS; Software uses Xon/Xoff.
- **TRANSMIT CONFIGURATION STRINGS:** Disable this setting whenever the modem being used is not compatible with the supported modem (MT5634ZBA).

---

**IMPORTANT** Do not mix HP and vt100 terminal types at the same time.

---

Set up the remote serial port parameters as follows:

- **MODEM PROTOCOL:** Bell or CCITT (CCITT is a European standard; RTS/CTS signaling is used, as well as the Ring signal. Bell is a U.S. or simple mode).
- **BAUD RATES:** Input and output data rates are the same; 300, 1200, 2400, 4800, 9600, 38400, 115200 bit/sec.
- **FLOW CONTROL:** Hardware uses RTS/CTS; Software uses Xon/Xoff.

- **TRANSMIT CONFIGURATION STRINGS:** Disable this setting whenever the modem being used is not compatible with the supported modem (MT5634ZBA).
- **MODEM PRESENCE:** When the modem may not always be connected, set this parameter to “not always connected”.

For example: A modem attached through a switch. In mode “not always connected,” no dial-out functions are allowed: DIAL-BACK is disabled, and PAGING is not possible.

The MP mirrors the system console to the MP local, remote/modem, and LAN ports. One console output stream is reflected to all of the connected console users. If several different terminal types are used simultaneously by the users, some users may see strange results.

### **Example 5-1      HP-UX**

Applications that care about the terminal type (install, SAM, vi, and so on) running on HP-UX use three methods to determine the terminal type:

1. The application takes the terminal information from the OS. This value is set in the CA command and takes effect for all MP ports.
2. The \$TERM shell environment variable.
3. The application directly queries the terminal (in this case, the write enabled terminal establishes the terminal type).

Make sure that settings #1 and #2 agree with your terminal type.

## **Certificate Generate**

CG: Generate RSA key pair or Self Signed Certificate

This command generates a new RSA key pair and self signed certificate.

## **Console Log**

CL: Console Log—view the history of the Console output

This command displays up to 60 Kilobytes of logged console data (about 60 pages of display in text mode) sent from the system to the Console path.

## **Command Mode**

CM: Command Mode—enter command mode

This command switches the console terminal from the MP Main Menu to mirrored command interface mode. If the current mux authority is administrator and the new login is as an operator, the command mux will be denied (remains in MP Main Menu mode). If a command is in progress, a message will be displayed warning the new user of system status.

## **Console**

CO: COnsole—leave command mode and enter console mode

This command switches the console terminal from the MP Main Menu to mirrored/redirected console mode. All mirrored data is displayed. Type **CTRL+B** to return to the MP command interface.

For VT100 and HPTERM, verify that the MP setting in the CA command is correct and all mirrored consoles are of the same terminal type for proper operation.

## Connect to Service Processor

CSP: Connect to remote management processor over the LAN

This command allows the local or remote port user to connect over the MP LAN to another MP on the network. The user that launches the command is given a private connection to the other MP over the LAN. To return to the original MP, type **CTRL+J** to disconnect the CSP session.

## Date

DATE: Displays the current date, as generated in the MP real-time clock.

## Default Configuration

DC: Default Configuration—reset all MP parameters to the default configuration

This command sets all MP parameters back to their default values. The user may reset all or a subset of the following parameters:

- IP configurations
- Modem configuration
- Paging configuration
- Command Interface configuration
- Disable remote access, security configuration
- Session configuration. For example: setting the security configuration to default erases all users and passwords.

There are three ways to reset passwords in the MP:

1. In the `SO` command, change individual users.
2. In the `DC` command choose “Reset Security Configuration”.
3. Forgotten passwords can be reset by pressing the reset button on the back panel of your HP Server. See Figure 2-7 on page 22. After the MP reboots, the local console terminal displays a message for five seconds. Responding to this message in time will allow a local user to reset the passwords.

Notice that all user information (logins, passwords, and so on) is erased in methods 2 and 3.

## Display FRUID

DF: Display FRUID information

This command displays FRUID information from the BMC for FRU devices. Information provided includes serial number; part number; model designation; name and version number; and manufacturer.

## Disconnect Remote or LAN Console

DI: DIscconnect remote/modem or LAN/WEB console

This command disconnects (hang up) the remote/modem or LAN/WEB users from MP. It does not disable the ports. The remote console is no longer mirrored.



## Front Panel Process

FP: Turn off front panel fault or attention LEDs

This command allows the user to control the state of front panel fault and attention LEDs, individually or together.

## MP Firmware Update

FW: Activates MP firmware upgrade mode

This command is available from either the LAN or local serial port. This command activates firmware upgrade mode, which loads new firmware through the MP LAN by FTP (which must be operational). An MP Reset is generated after the upgrade is complete.

## Help

HE: Display help for menu or command

This command displays the MP hardware and firmware version identity, and the date and time of firmware generation. If executed from the MP Main Menu, general information about the MP, and those commands displayed in the MP Main Menu, will be displayed. If executed in command mode, this command displays a list of command interface commands available to the user. It also displays detailed help information in response to a topic or command at the help prompt.

## Display System ID

ID: Display/modify system information

This command allows the user to display and modify the following:

- SNMP contact information
- SNMP server information
- SPU hostname

## Inactivity Timeout

IT: Inactivity Timeout settings

The session inactivity timeout is up to 1,440 minutes - default is 60 minutes. This timeout prevents sessions to the system from being inadvertently left open. A session can be started by the `SE` command. An open session can prevent users from logging onto the MP through a port and can also prevent system applications from initiating an outbound connection.

MP inactivity timeout is up to 1,440 minutes - default is 5 minutes. This timeout prevents a user from inadvertently keeping the MP locked in a MP Command Interface mode preventing other users from looking at the console output. The MP Command Interface inactivity timeout may not be deactivated.

Flow control timeout is 0 to 60 minutes. If set to 0, no timeout is applied. This timeout prevents mirrored flow control from blocking other ports when inactive.

## Configure LAN Console

LC: LAN configuration (IP address, and so on)

This command displays and allows modification of the LAN configuration. Configurable parameters include:

- MP IP Address
- MP Host Name
- Subnet Mask
- Gateway Address
- Web Console port number
- Link State

The MP Host Name set in this command is displayed at the MP command interface prompt. Typically the DNS name for the LAN IP is entered.

This field can be programmed to any useful name or phrase. For clarity, it is useful to enter **MP-on-SYSTEM** as the MP Host name, so both names show up in the prompt (limit 19 characters, no spaces allowed.) The web access port number is also set by this command.

## LAN Status

LS: LAN Status

This command displays all parameters and the current status of the MP LAN connections. The LAN parameters are not modified by the execution of this command.

## Return to Main Menu

MA: Return to MP Main Menu

This command makes the MP return to the nonmirrored MP Main Menu. This is the same as executing CTRL+B.

## Modem Reset

MR: Modem Reset

This command makes the MP send an AT Z command to the modem, which resets it. Any modem connections are lost. The initialization results can be viewed via the MS command.

## Modem Status

MS: Modem Status—Display modem status

The MS command displays the state of the modem lines connected to the remote/modem serial port. The display can be updated by pressing **Enter**. The current state of the status signals DCD, CTS, DSR, RI and the last state of the control signals DTR, RTS set by the firmware are displayed.

## Power Control

PC: Power Control—turn system power on and off

For proper system shutdown, shutdown the OS before issuing this command or use the commands graceful shutdown option.

This command allows you to switch the system power on or off. the user can have the action take place immediately or after a specified delay.

Notice this is roughly the equivalent to turning the system power off at the front panel switch. There is no signal sent to the OS to bring the software down before power is turned off. To turn the system off properly, you must ensure that the OS is in the proper shutdown state before issuing this command. Use the proper OS commands or use the graceful shutdown option of the Remote Power Control command.

## Configure Paging

PG: Paging parameter setup—configures pagers

This command allows the user to configure the pagers and set triggering events.

A string description of the triggering event will be sent with the page.

## Power Status

PS: Power status—display the status of the power management module

This command displays on the console the status of the power management module.

## Reset BMC

RB: Reset BMC

This command resets the BMC by toggling a GPIO pin.

## Reset System

RS: Reset system through RST signal

---

**IMPORTANT** Under normal operation, shut down the OS before issuing this command.

---

This command causes the system (except the MP) to be reset through the RST signal.

Execution of this command irrecoverably halts all system processing and I/O activity and restarts the computer system. The effect of this command is very similar to cycling the system power. The OS is not notified, no dump is taken on the way down, and so on.

## Set Access

SA: Set access options—configures access for LAN and remote/modem ports

This command will disconnect modem, LAN, and web users if access is disabled.

## Create Local Session

SE: Log into the system on local or remote port

Only valid from the local or remote/modem port, SE allows the user to leave the MP Command Interface and enter a system session. Other mirrored MP users are placed in console mode. The session user returns to the mirrored MP session on exit.

The MP regularly checks the activity of the session, closes the connection with the system, and, if the timeout period has elapsed, returns the port to mirroring. The timeout period is set with the IT command. On HP-UX, the SE command works on the local and remote ports.

In HP-UX, use the System Administration Manager (SAM) to add modem device files for the session UARTS. The modem type, CCITT or Bell must agree with the remote port settings for the remote session port and always be Bell mode for the local session port.

If the system and the MP Command Interface local or remote ports have been configured with different port speeds, the baud rate changes to the rate specified by the OS for the duration of the session.

## Display Logs

SL: Display contents of the system status logs

This command displays the contents of the event logs that have been stored in nonvolatile memory.

- System Event Log (SEL)—High attention events and errors
- Forward progress—All events
- Current boot log—All events between “start of boot” and “boot complete”
- Previous boot log—The events from the previous boot

Reading the system event log turns off the attention LED. Accessing this log is the only way to turn off the attention LED when it is flashing and alerts have not been acknowledged at the alert display level.

Events are encoded data that provide system information to the user. Some well-known names for similar data would be Chassis Codes or Post Codes. Events are produced by intelligent hardware modules, the OS, and system firmware. Use VFP to view the live events. Use SL to view the event log.

Navigate within the logs as follows:

- + — View the next block (forward in time)
- - — View the previous block (backward in time)
- Enter (<CR>) — View the next block in the previously selected direction (forward or backward in time)
- D — Dump the entire log for capture or analysis
- F — First entry
- L — Last entry
- J — Jump to entry number \_\_
- V — View mode configuration (text, keyword, hex)
- ? — Display this help menu
- Q — Quit

Table 5-3 defines alert (or severity) levels.

**Table 5-3 Alert Levels**

Severity	Definition
0	Minor forward progress
1	Major forward progress
2	Informational
3	Warning
5	Critical
7	Fatal

## Security Options

SO: Configure security options and access control (users, passwords, and so on)

This command modifies the security parameters of the MP, which include login timeouts and allowed password faults.

If configured, when you access the MP via the modem port, the MP hangs up and dials the user back. This does not work if `Modem Presence` is set to `not always connected` with the `CA` command.

If the mode is `Single`, the `State` is changed to `disabled` after the first login.

A disabled user's login is not accepted.

## Firmware Revision Status

SYSREV: Displays the revision status of firmware in the system processors

This command displays the revision status of firmware in the system processors.

## System Status

SS: Displays the status of the system processors

The `SS` command displays the status of the system processors and which processor is the monarch.

## Transfer Of Control

TC: System reset through INIT or TOC (Transfer of Control) signal

Under normal operation, shut down the OS before issuing this command.

This command causes the system to be reset through the INIT (or TOC) signal. Execution of this command irreversibly halts all system processing and I/O activity and restarts the computer system. It is different from the `RS` command in that the processors are signaled to dump state on the way down.

## Tell

TE: TELL—sends a message to other terminals

Up to 80 characters can be typed in. The message is broadcast to the other mirrored clients. Users in a session or CSP are not shown the message.

## User Configuration

UC: User Configuration—controls user access

This command allows an administrator to add, modify, re-enable, or delete user logins. The administrator can also enable or disable security warnings and change passwords.

## Virtual Front Panel

VFP: Display Virtual Front Panel

The VFP command presents a summary of the system by using direct console addressing. If the terminal is not recognized by the MP, VFP mode will be rejected. Each individual user will get this summary in order to avoid issues related to terminal type and screen display mode.

This command is executed from the Main Menu. When accessed, VFP displays the current state of the system including current LED status. The display refreshes at one second intervals.

## Who

WHO: Displays a list of MP connected users

This command displays the login name and operating mode (Main Menu, command, and so on) of the connected console client users, and the port on which they are connected. For the LAN and WEB console clients the remote IP address is also displayed.

If the local console client user did not originate the MP command interface session, there is always one default user listed for the local serial port: local user i. If the local console operator types **CTRL+B**, then the login name that the local operator used is displayed instead.

## Exit from MP

X: Exit from MP command interface and disconnect from the system

This command disconnects the executing user from the system. This command is available from the local port.

## Diagnostics

XD: Diagnostics and/or Reset of MP

This command allows the user to perform some simple checks to confirm the MP's health and its connectivity status. The following tests are available:

- MP Parameter Checksum
- Verify I<sup>2</sup>C connection (get BMC Device ID)
- LAN connectivity test using ping
- Modem self-tests

Also, the MP can be reset from this command. A MP reset can be safely performed without affecting the operation of the server.

## Management Processor Help System

The MP has a robust help system. To invoke MP HELP, enter **he** after the MP> prompt. The following is displayed:

```
HE
```

```
==== MP Help: Main Menu =====(Administrator)====
```

```
Hardware Revision a1 Firmware Revision E.02.20 May 30 2003,15:18:47
```

```
MP Help System
```

```
Use Ctrl-B to exit MP command interface and return to the main MP menu:
```

```
Enter a command at the help prompt:
```

```
OVerview : Launch the help overview
```

```
LIst      : Show the list of MP commands
```

```
<COMMAND> : Enter the command name for help on individual command
```

```
TOPics    : Show all MP Help topics and commands
```

```
HElp      : Display this screen
```

```
Q         : Quit help
```

Enter one of the commands described above: **OV**, **LI**, **<command>**, **TOP**, **HE**, **Q**





---

# 6 Troubleshooting

---

## Troubleshooting Methodology

---

**WARNING** Before removing a cover, always disconnect the AC power cords and unplug telephone cables. Disconnect telephone cables to avoid exposure to shock hazard from telephone ringing voltages. Disconnect the AC power cords to avoid exposure to high energy levels that may cause burns when parts are short-circuited by metal objects such as tools or jewelry.

---

**CAUTION** Do not operate the HP Server for more than 10 minutes with any cover (including power supplies and disk drives) removed. Otherwise, damage to system components may result due to improper cooling airflow.

However, you can safely remove a cover while the HP Server is running to remove and replace PCI hot-plug boards. For any other service activity requiring access to the system board or power distribution board, power down the HP Server and observe all safety precautions.

---

To troubleshoot your system you must be familiar with the HP-UX operating system and be able to start and stop testing processes. You should also be familiar with Support Tools Manager (STM), which runs in HP-UX, and the Offline Diagnostics Environment (ODE).

Online troubleshooting programs are available on your HP-UX operating system. Offline troubleshooting programs are available on the resource CD that is shipped with your HP Server. Both online and offline troubleshooting tools are also available for downloading at <http://docs.hp.com>.

Other information that can aid in troubleshooting is contained elsewhere in this document. See Chapter 2, “Controls, Ports, and Indicators,” for further information about deciphering all other LEDs in your system. For information about troubleshooting hot-plug, PCI-X card problems, see “Hot-Plug PCI/PCI-X” on page 56.

### Operating System Will Boot

If your operating system is running and you are experiencing problems, use the following online tools to help solve your problem: See “Troubleshooting Using Online Support Tools” on page 106.

- Support Tools Manager (STM)
- Event Monitoring Service (EMS)
- Management Processor (MP)

### Operating System Will Not Boot

If your operating system will not boot, but you are able to reach the BCH (from either the main disk partition or CD), then use the following offline tools to help solve your problem: See “Troubleshooting Using Offline Support Tools” on page 110.

- Offline Diagnostic Environment (ODE)
- Management Processor (MP)

## Troubleshooting Using Online Support Tools

The following online support tools are available from the HP-UX environment.

### Support Tools Manager

Support Tools Manager (STM) is available in three user interfaces:

- Graphical interface for X-based terminals (XSTM)
- Menu interface for ASCII terminals (MSTM)
- Command line interface for all ASCII terminals (CSTM)

You can use the graphical and menu interfaces intuitively and you can use the command line interface to drive STM using scripts.

You can use diagnostics to thoroughly test a device and isolate failures down to the suspected Field Replaceable Unit (FRU).

For complete documentation on how to access and use STM go to <http://docs.hp.com>. Under Topics menu go to Diagnostics and look for Support Tools Manager.

## Event Monitoring Service

Event Monitoring Service (EMS) is the framework for monitoring hardware and reporting events. You can use EMS to eliminate most undetected hardware failures that cause data loss or interruptions of system operation. You can monitor a hardware device (such as a disk) for the occurrence of any unusual activity (called an event). When an event occurs, it is reported by a variety of notification methods such as e-mail. Event detections are handled automatically with minimal involvement on your part.

The following monitors are available:

- CMC monitor
- UPS monitor
- FC hub monitor
- FC switch monitor
- Peripheral status monitor
- Memory monitor

EMS comes with your HP-UX operating system. To bring up the event monitoring main menu, execute the following command at the shell prompt:

```
/etc/opt/resmon/sbin/monconfig
```

From the list of main menu selections, choose:

```
(E) Enable Monitoring
```

## Management Processor

The management processor (MP) interface provides diagnostic and configuration capabilities. By viewing the system logs you can determine and solve problems affecting your computer. To access your MP interface and system logs, perform the following steps:

---

**NOTE** The MP interface must be accessed from a terminal console that is attached to the MP via the MP LAN or MP remote serial connector. The MP is always available for troubleshooting, regardless of the state of your system, as long as there is AC power applied to your computer.

---

**Step 1.** If necessary, press **CTRL+B** to access the MP interface.

**Step 2.** Log in with proper user name and password.

**Step 3.** Enter `c1` to display the console logs. This log displays console history from oldest to newest.

**Step 4.** Enter `s1` to display the system logs. The system logs consist of:

- System event
- Forward progress
- Current boot
- Previous boot
- Live events
- Clear SEL/FPL logs

**Step 5.** For a complete explanation of the management processor and all commands see Chapter 5, “Utilities.”

**System Event Logs (SEL) Logs**

To access the system event logs perform the following steps:

**Step 1.** Access the optional management processor command prompt.

**Step 2.** Run the `s1` command. The Event Log Viewer menu will display:

```
SL

Event Log Viewer:

Log Name          Entries    % Full    Latest Entry
-----
E - System Event      9         1 %      29 Oct 2002 19:15:05
F - Forward Progress 129        3 %
B - Current Boot      82
P - Previous Boot     0
L - Live Events
C - Clear All Logs

Enter your choice or [Q] to Quit:
```

**Step 3.** Select `e` to review the events. The Event Log Navigation menu will display:

```
Set up alert filter options on this buffer? (Y/[N])

(N)

Log Name          Entries    % Full    Latest Entry
-----
E - System Event  410        47 %      18 Feb 2003 09:38:10

Event Log Navigation Help:

+      View next block      (forward in time, e.g. from 3 to 4)
-      View previous block  (backward in time, e.g. from 3 to 2)
<CR>   Continue to the next or previous block
D      Dump the entire log for capture and analysis
```

```
F      First entry
L      Last entry
J      Jump to entry number
V      View mode configuration (text, keyword, hex)
?      Display this Help menu

Ctrl-B  Quit and return to the Main Menu
```

**Step 4.** Select **v**, then **t** to change the display to text mode:

```
Display Mode Configuration:

      H - Hex mode

Current -> K - Keyword mode

      T - Text mode

Enter new value, or [Q] to Quit:

T
```

**Step 5.** To decode the blinking state of System LED, review the entire SEL and look at events with alert level 3 and above.

**For example:**

```
Log Entry 24: 14 Feb 2003 15:27:02

Alert Level 3: Warning

Keyword: Type-02 1b0800 1771520

Hot Swap Cage: SCSI cable removed

Logged by: BMC; Sensor: Cable / Interconnect - SCSI ChExt Cable

Data1: Device Removed/Device Absent

0x203E4D0AC6020220 FFFF0008F61B0300

Log Entry 73: 00:00:12

Alert Level 3: Warning

Keyword: Type-02 050301 328449

The server's built-in sensors have detected an open chassis door.

Logged by: BMC; Sensor: Physical Security - Chassis Open

Data1: State Asserted

0x200000000C020570 FFFF010302050300
```

---

## Troubleshooting Using Offline Support Tools

You can use the *Support Plus CD* to troubleshoot your hp 9000 rp4440 Server by accessing the offline diagnostic environment ODE.

### Offline Diagnostic Environment (ODE)

ODE is used to evaluate specific hardware components via a command line interface. To access ODE from your *Support Plus CD*, perform the following steps:

- Step 1.** Power on your HP Server and insert the *Support Plus CD*.
- Step 2.** Boot the system to the PDC prompt (BOOTADMIN, BCH, etc.) prompt. PDC prompts may differ on some computer models.

```
Main Menu: Enter command or menu>
```

- Step 3.** List the bootable devices by entering search: `search`
- Step 4.** Select the CD device that contains the *Support Plus CD*, for example:

```
p3
```

- Step 5.** Boot from that device by entering boot p3: `boot p3`
- Step 6.** You are asked to interact with the Initial System Loader (ISL) prompt. Enter yes: `y`
- Step 7.** From the ISL prompt, start the Offline Diagnostics Environment by entering ODE: `ODE`

The following commands are available at the ODE prompt:

**Table 6-1 ODE Commands**

Command	Description
<code>help</code>	To display a list and description of the available commands
<code>help &lt;command&gt;</code>	To display the additional information
<code>help &lt;var&gt;</code>	To display the additional information
<code>ls</code>	To list the ODE modules that will run on your computer
<code>&lt;module_name&gt;</code>	To run an ODE module interactively
<code>run &lt;module_name&gt;</code>	To run an ODE module non-interactively

## Disk and I/O Path Logging

Some failures result in I/O path logging. These paths help to indicate the source of the error and may be included in the error message or logged into console or event logs. The following table describes the disk drive and PCI slot paths for your HP Server.

**Table 6-2 Disk and DVD Paths**

Slot	Path
Slot 1	0/1/0
Slot 2	0/1/1
DVD	0/0/3

**Table 6-3 I/O Paths**

I/O Slot	Path
Slot 1	0/1/2
Slot 2	0/1/0
Slot 3	0/2/2
Slot 4	0/2/0
Slot 5	0/3/2
Slot 6	0/3/0
Slot 7	0/4/0
Slot 8	0/5/0

---

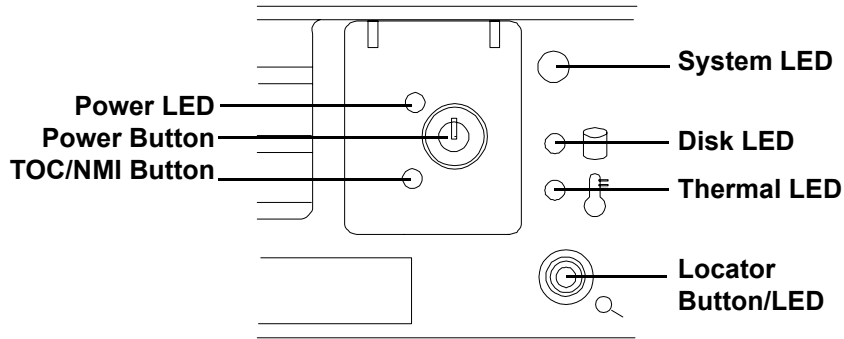
## Troubleshooting Using LED Indicators

Your hp 9000 rp4440 Server has LED indicators located on the front control panel and an internal QuickFind diagnostic panel that you can use to determine what repair action is required. For descriptions of all LEDs on your hp 9000 rp4440 Server see

## Front Control Panel LEDs

The front control panel LEDs show you the system status at a glance. If warning or attention lights are flashing, then you should to query the QuickFind diagnostic panel or management processor for further information.

**Figure 6-1 Front Control Panel LEDs**



**Table 6-4 Front Control Panel LED Definitions**

LED/ Button	State	Flash Rate	Color	Description
System	Running	Steady	Green	Green: System normal-OS up and running
System	Booting	Flashing at 0.5Hz	Green	Flashing green: OS booting or at BCH
System	Attention	Flashing at 1 Hz	Yellow	Flashing yellow: Warning-system needs attention. Redundancy lost, component failure pending.
System	Fault	Flashing at 2 Hz	Red	Flashing red: Hard fault, system Halted
System	Off	Off	N/A	Off: System off
Power	On	Steady	Green	Green: Power normal
Power	On	Steady	Yellow	Flashing yellow: Housekeeping voltage present
Power	Off	Off	Off	Off: Power off
Disk LED		Flashing at rate of disk activity	Green	Flashing green: Disk activity
Thermal LED	OK	Steady	Green	Green: Thermal OK
Thermal LED	Warning	Flashing at 1 Hz	Yellow	Flashing Yellow-Thermal warning



**Table 6-4 Front Control Panel LED Definitions (Continued)**

<b>LED/ Button</b>	<b>State</b>	<b>Flash Rate</b>	<b>Color</b>	<b>Description</b>
Locator LED/Button		Flashing at 1 Hz	Blue	Flashing Blue: System locator LED may be remotely or locally activated/deactivated

## QuickFind Diagnostic Panel LEDs

The QuickFind diagnostic panel is located under the top cover and is attached to the top of the power supply cage. The following definitions describe the status of the various LEDs and what is wrong with the indicated component.

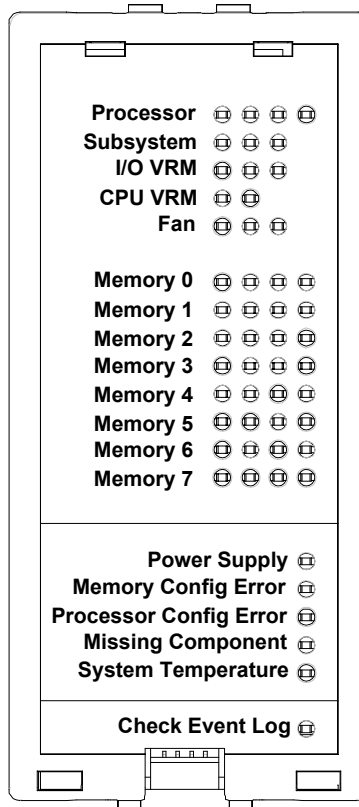
**Table 6-5 QuickFind Diagnostic Panel LED Definitions**

Item	LED 0	LED1	LED2	LED3	Details
Processor	Socket 0	Socket 1	Socket 2	Socket3 3	<p>If the System LED (on front panel) is in the attention or fault state and the processor LED is on, then the processor or voltage regulator has failed-the processor module in the specified socket needs to be replaced.</p> <p>If the thermal LED is in the warning or critical state and the processor LED is on, then the processor exceeded the warning or critical level.</p>
Subsystem	CPU board	Memory board	I/O board	n/a	A soldered voltage regulator has failed-the specified board must be replaced.
I/O VRM	12 volt	5 volt	3 volt	n/a	A plug-in voltage regulator has failed-specific VRM must be replaced.
CPU VRM	n/a	n/a	n/a	n/a	n/a
Fan Module	0	1	2	n/a	<p>One or both fans in a fan module have failed-the module must be replaced.</p> <p>Fan 2 is in front of the power supplies.</p>
Memory Bank X (0-7)	DIMM xA	DIMM xB	DIMM xC	DIMM xD	<p>The specified DIMM has failed-the DIMM must be replaced.</p> <p>If all the LEDs for a rank (0-7) are lit and the memory config error LED is lit, then the DIMMs in the specified rank are mismatched—replace mismatched DIMM.</p>
Check Power Supply	n/a	n/a	n/a		One of the power supply or power supply fans have failed-replace the power supply. The faulty power supply LED (located on Power supply) will be lit.
Memory Config Error	n/a	n/a	n/a		The DIMMs in a rank are mismatched. All the DIMMs in the specified rank (0-7) will be lit.
Processor Config Error	n/a	n/a	n/a		The processors are mismatched-replace mismatched processor.
Missing Component	n/a	n/a	n/a		A required component(s) is not installed in the system and thus preventing “power up.”

**Table 6-5 QuickFind Diagnostic Panel LED Definitions (Continued)**

Item	LED 0	LED1	LED2	LED3	Details
System Temp	n/a	n/a	n/a		The internal temperature of the server has exceeded the warning or critical level.
Check Event Log	n/a	n/a	n/a		An event has occurred that requires attention.

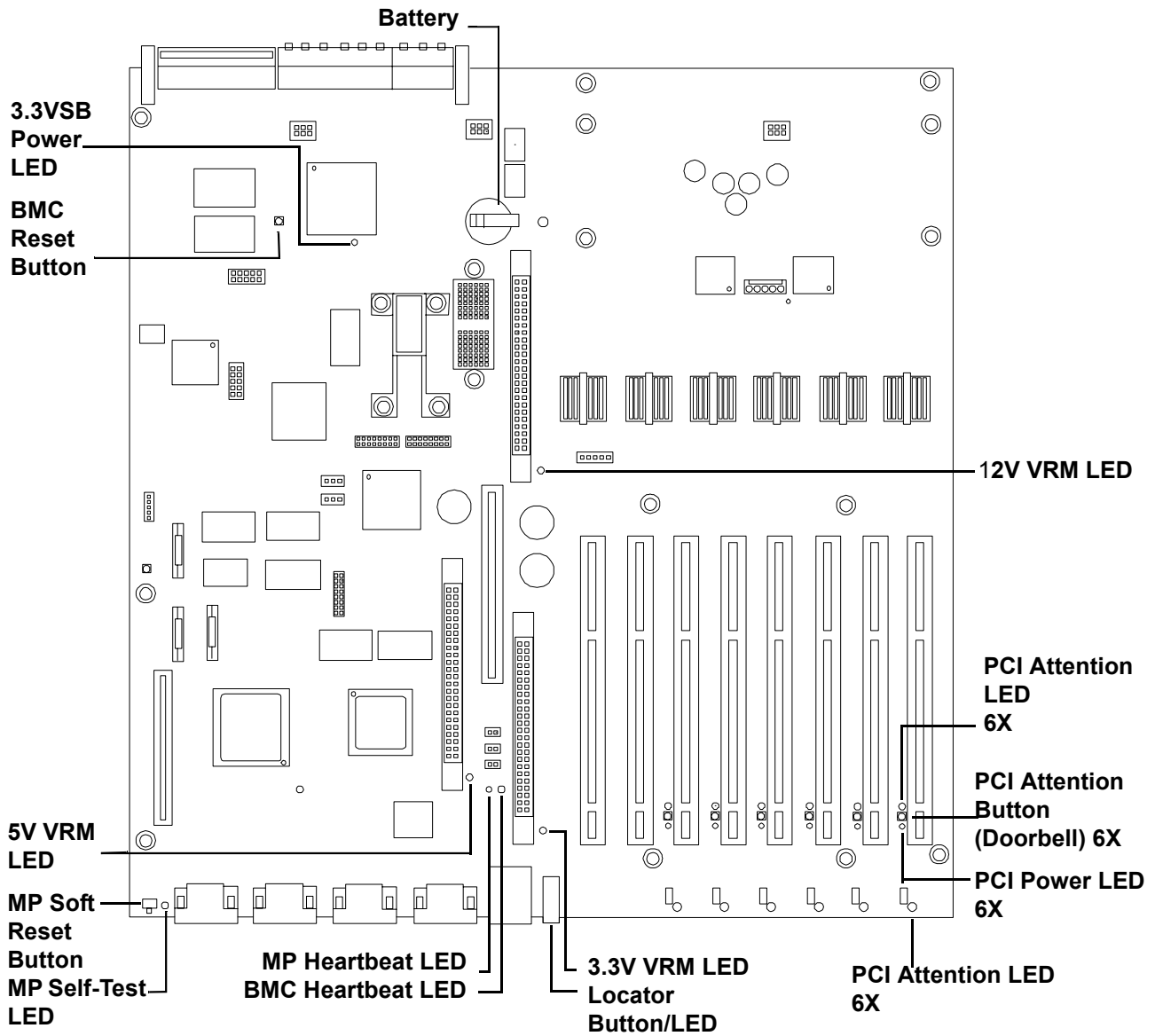
**Figure 6-2 QuickFind Diagnostic Label**



## I/O Baseboard LED Indicators

Various LEDs, sensors, and reset or attention buttons are found on the I/O baseboard.

**Figure 6-3 I/O Baseboard LEDs, Buttons, and Sensors**



**Table 6-6 I/O Baseboard LEDs, Buttons, and Sensors**

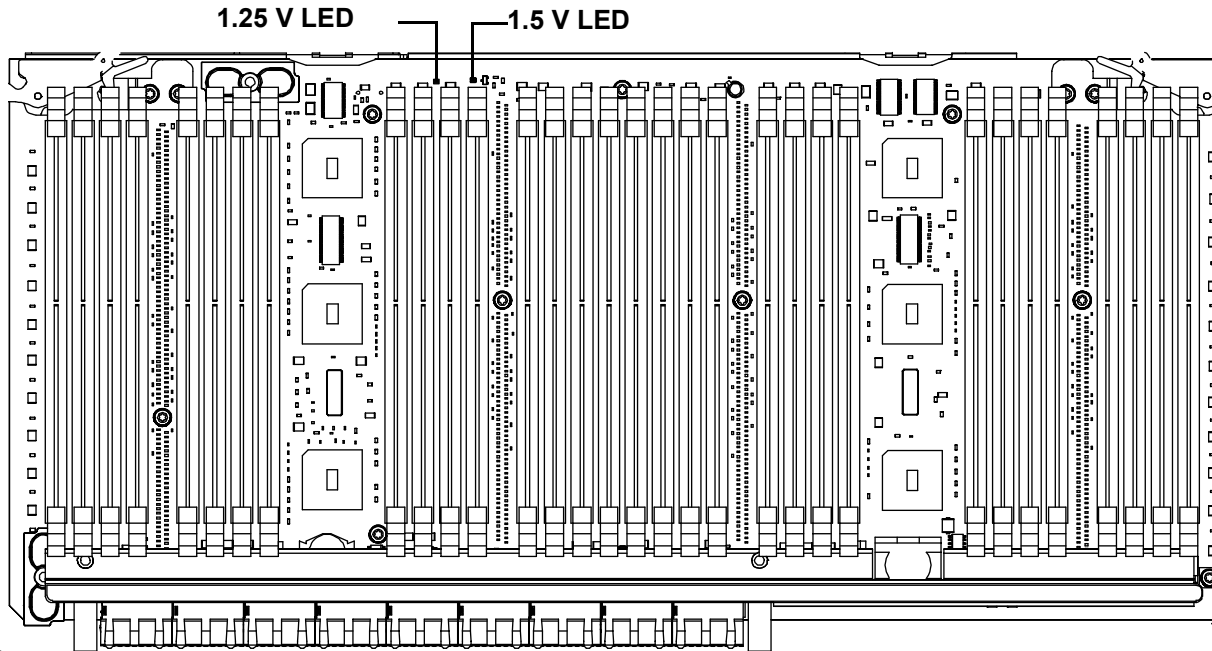
LED/Button	Color	Status	Condition
12V VRM Power LED	Green	On	12V VRM is functioning.
5V VRM Power LED	Green	On	5V VRM is functioning.
3.3V VRM Power LED	Green	On	3.3V VRM is functioning.
MP Heartbeat	Green	Blinking	The Management Processor is functioning correctly
MP Self Test LED	Amber	On	The Management Processor is executing the internal self test.
		Off	The Management Processor has passed the internal self test.
BMC Heartbeat	Green	Blinking	The Baseboard Management Controller is functioning correctly.
3.3VSB Power LED	Green	On	Standby power is available.
MP Soft Reset Button	N/A	Press	Resets the Management Processors values.

### Memory Extender Boards

The 32 DIMM memory extender board has two power status LEDs-1.25V and 1.5V. See Figure 6-4 on page 118. When the LEDs are on, each respective voltage is present on the memory extender board

The 16 DIMM memory extender board has one condition LED on each of the 2 VRMs. If either condition VRM LED is on, there is a problem with that VRM. You must replace the entire extender board in this case; the VRMs are not field replaceable units (FRUs).

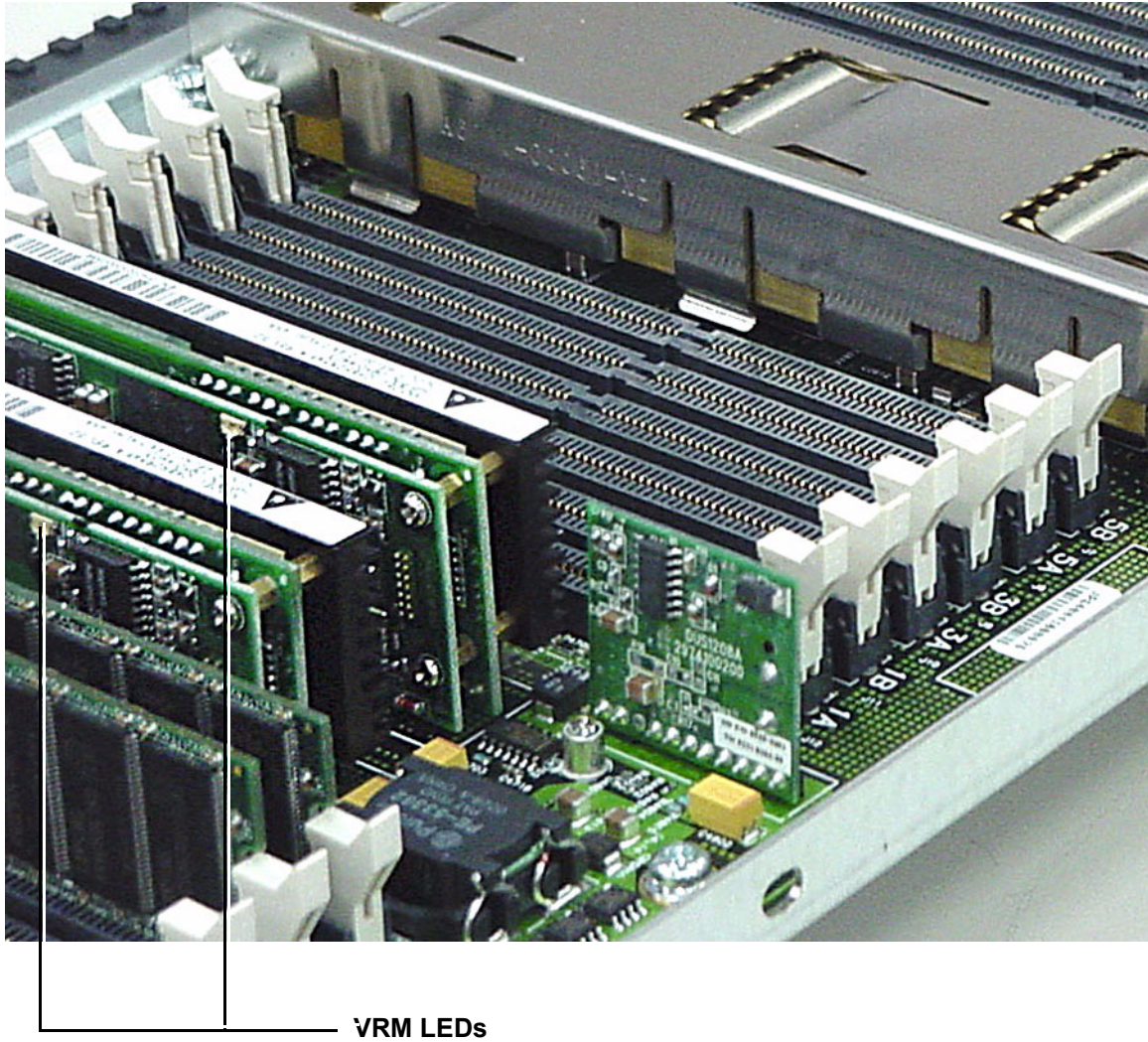
**Figure 6-4** 32 DIMM Memory Extender Board LEDs



**Table 6-7** 32 DIMM Memory Extender Board

LED	Color	Status	Condition
1.25 V Power	Green	On	Power OK
1.5 V Power	Green	On	Power OK

**Figure 6-5** 16 DIMM Memory Extender Board LEDs



**Table 6-8** 16 DIMM Memory Extender Board

LED	Color	Status	Condition	Action
VRM Status	Green	On	VRM is bad	Replace memory extender board





---

# 7 Removing and Replacing Components

---

## Safety Information

Follow the procedures listed below to ensure safe handling of components and to prevent harm to both you and the HP Server:

- Use an antistatic wrist strap and a grounding mat, such as those included in the Electrically Conductive Field Service Grounding Kit (HP 9300-1155).
- Handle accessory boards and components by the edges only. Do not touch any metal-edge connectors or any electrical components on accessory boards.
- Do not wear clothing subject to static charge build-up, such as wool or synthetic materials.

---

**WARNING** Hazardous voltages are present inside the HP Server. Always remove AC power from the server and associated assemblies while working inside the unit. Serious injury may result if this warning is not observed.

---

## Service Tools Required

Service of this product may require one or more of the following tools:

- Electrically Conductive Field Service Kit (P/N 9300-1155)
- 1/4 inch Flat Blade Screwdriver
- ACX-15 Torx Screwdriver

## Accessing a Rack Mounted Server

The hp 9000 rp4440 Server is designed to be rack mounted. The following procedure explains how to gain access to your HP Server that is mounted in an approved rack. For rack installation instructions, review the document titled *Installation Guide, Mid-Weight Slide Kit, 5065-7291*. This document can be accessed at <http://www.hp.com/racksolutions>.

---

**WARNING** Ensure that all anti-tip features (front and rear anti-tip feet installed; adequate ballast properly placed; and so on) are employed prior to extending the server.

---

## Extend the Server from the Rack

---

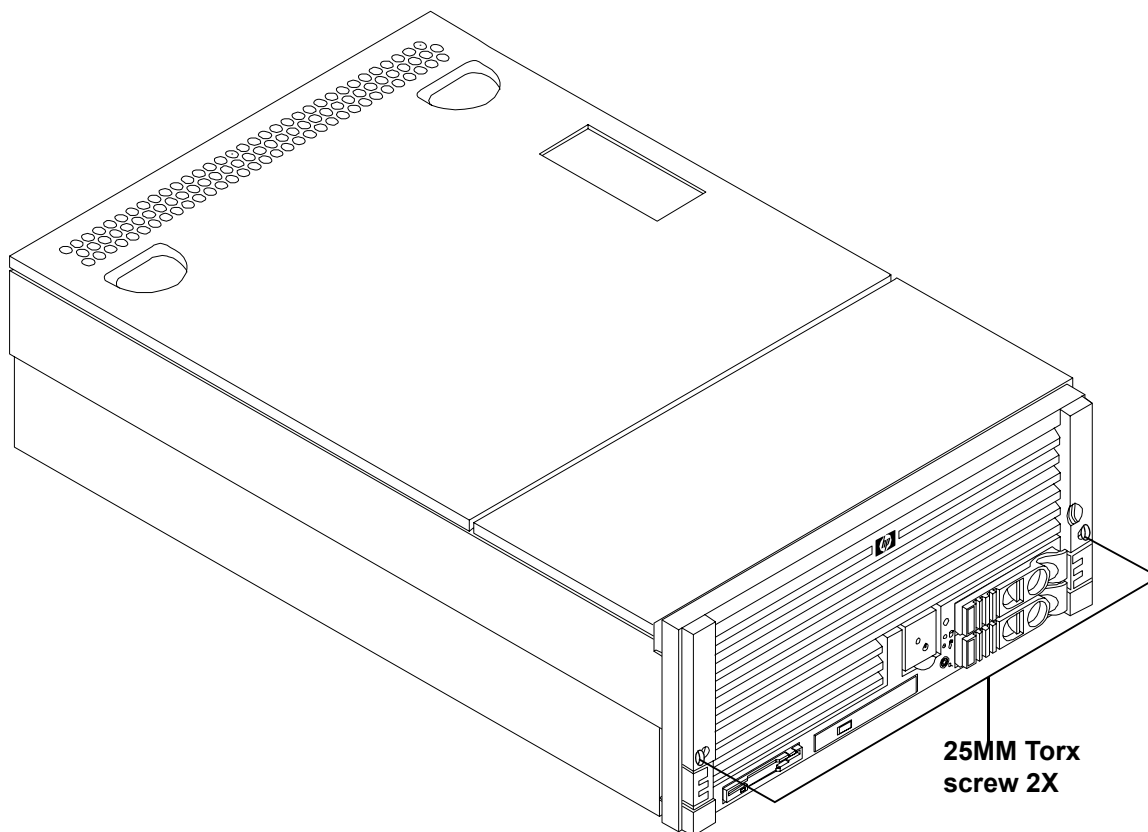
**NOTE** Ensure that there is enough area (Approximately 1.5 meters [4.5 ft.]) to fully extend the server out the front and work on it.

---

To extend the server from the rack, perform the following steps:

- Step 1.** Remove the T-25 screws that fasten the server to the rack. See Figure 7-1, “Accessing 25MM Torx Screws.”
- Step 2.** Flip out the two pull handles at either end of the front bezel and slowly pull the unit forward by the handles. The server is fully extended when the rail clips are locked in place. When fully extended, the front and top covers are fully accessible.

**Figure 7-1** Accessing 25MM Torx Screws



## Insert the Server into the Rack

To insert the server into the rack, perform the following steps:

- Step 1.** Press the rail clips on either side of the server inward and push the server into the rack until it stops.
- Step 2.** Replace the T-25 screws that fasten the server to the rack.

---

## Accessing a Rackless Server

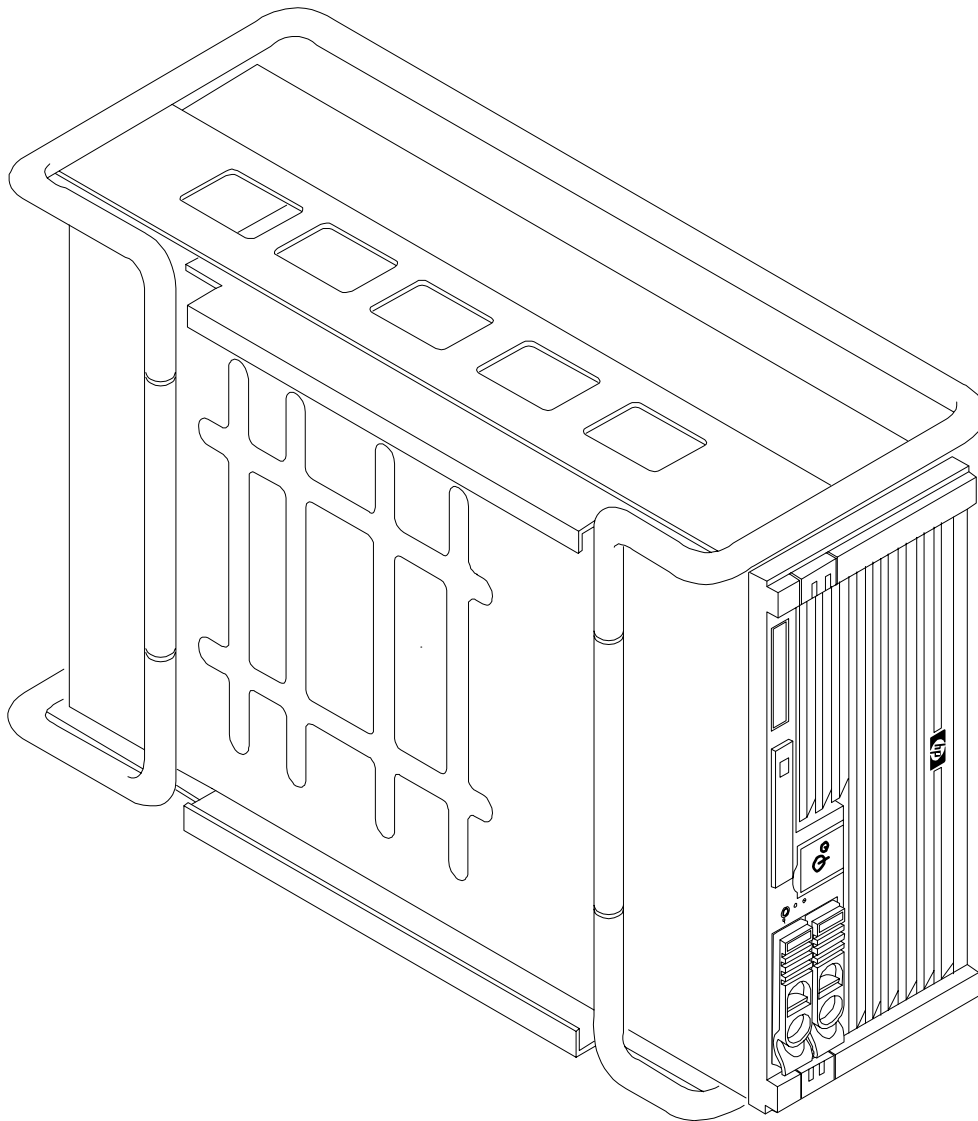
The hp 9000 rp4440 Server is also designed to be rackless. You do not need to remove the tubular stand from the HP Server to gain access to internal components. The front bezel, front cover, and top cover may be removed with the tubular stand attached to the HP Server.

---

**WARNING** Ensure that the HP Server is properly grounded when performing remove-and-replace procedures. Use an antistatic wrist strap and grounding mat similar to those found in the HP Electrically Conductive Field Service Kit.

---

**Figure 7-2** Rackless hp 9000 rp4440 Server



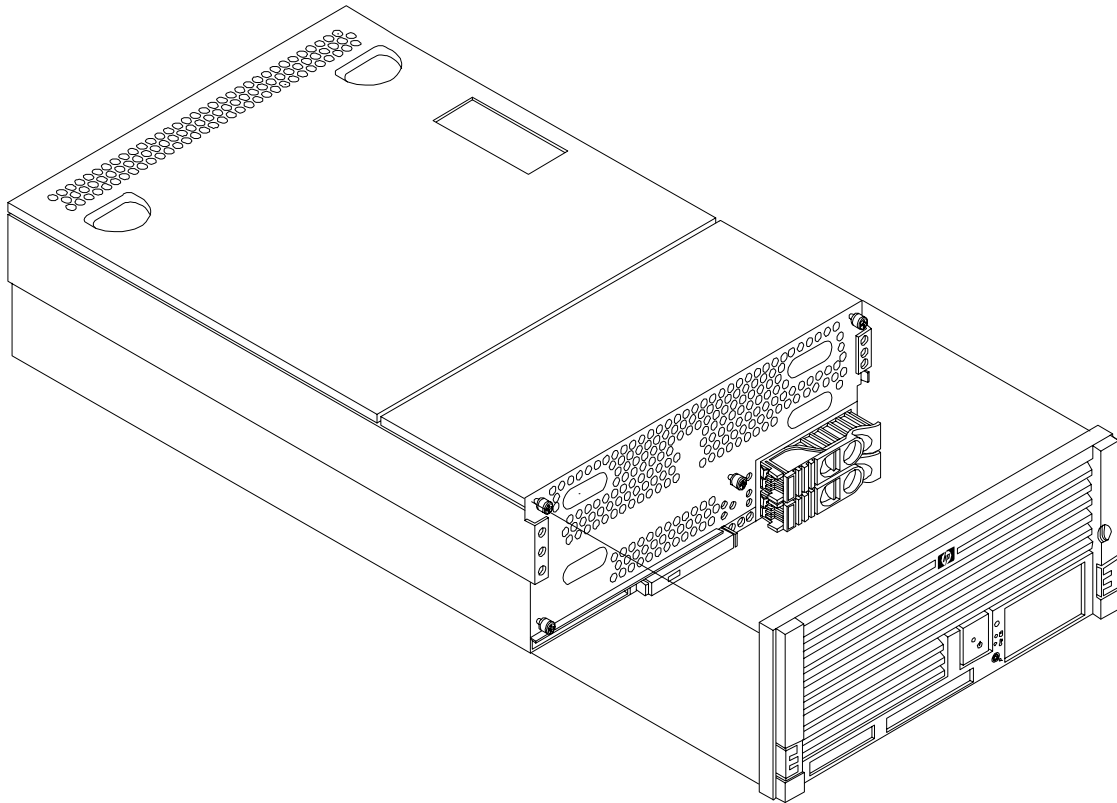
## Front Bezel

The server does not have to be turned off to remove the front bezel.

Opening the control panel door provides access to the following components:

- Power switch
- System LEDs

**Figure 7-3**      **Removing and Replacing the Front Bezel**



## Removing the Front Bezel

To remove the front bezel, perform the following steps:

**Step 1.** Grasp the front bezel at the outer edges and pull straight out.

## Replacing the Front Bezel

To Replace the front bezel, perform the following steps:

**Step 1.** Push the front bezel straight into the chassis until it snaps into place.

---

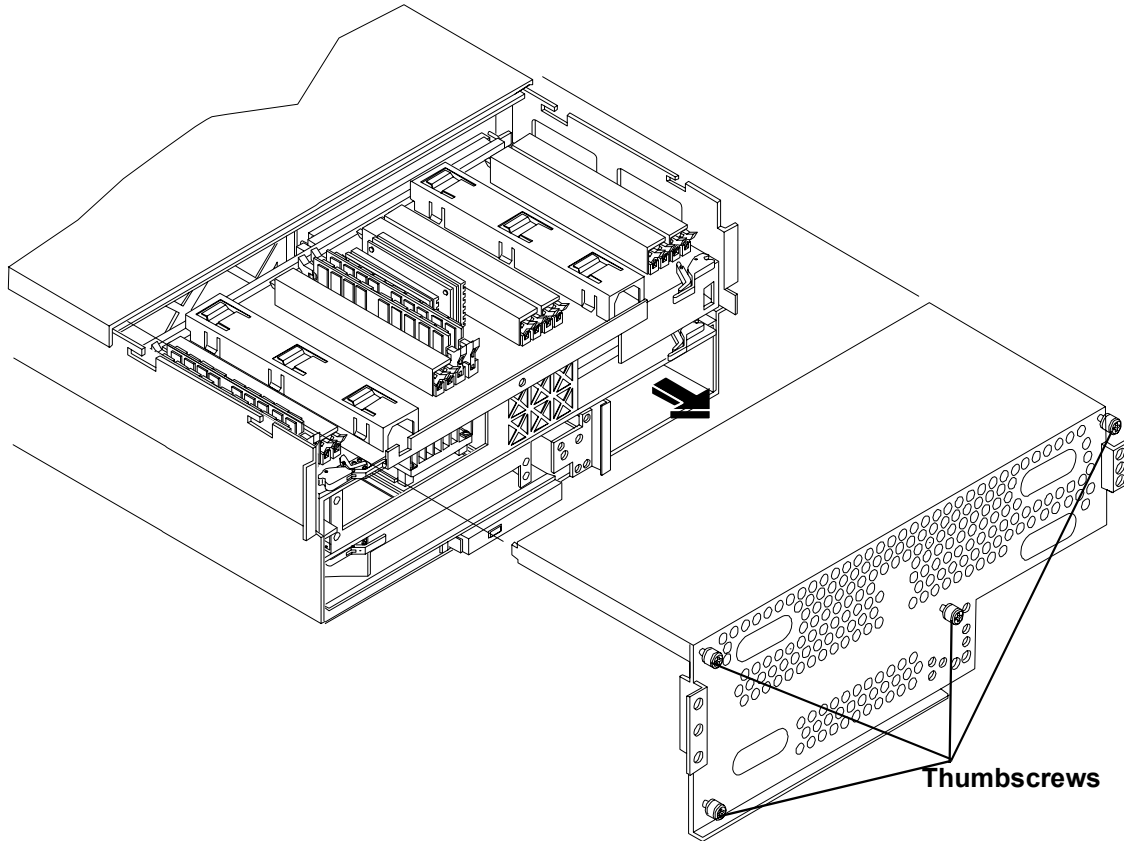
## Front and Top Covers

---

**NOTE** When the front or top cover is removed the chassis fan units increase to high speed to assist cooling. When the top cover is replaced at the end of the operation, the chassis fans return to normal speed.

---

**Figure 7-4** Removing and Replacing the Front Cover



## Removing the Front Cover

To remove the front cover, perform the following steps:

---

**WARNING** Hazardous voltages are present inside the HP Server. Always remove the AC power cords from the server and associated assemblies while working inside the unit. Serious injury may result if this warning is not observed.

---

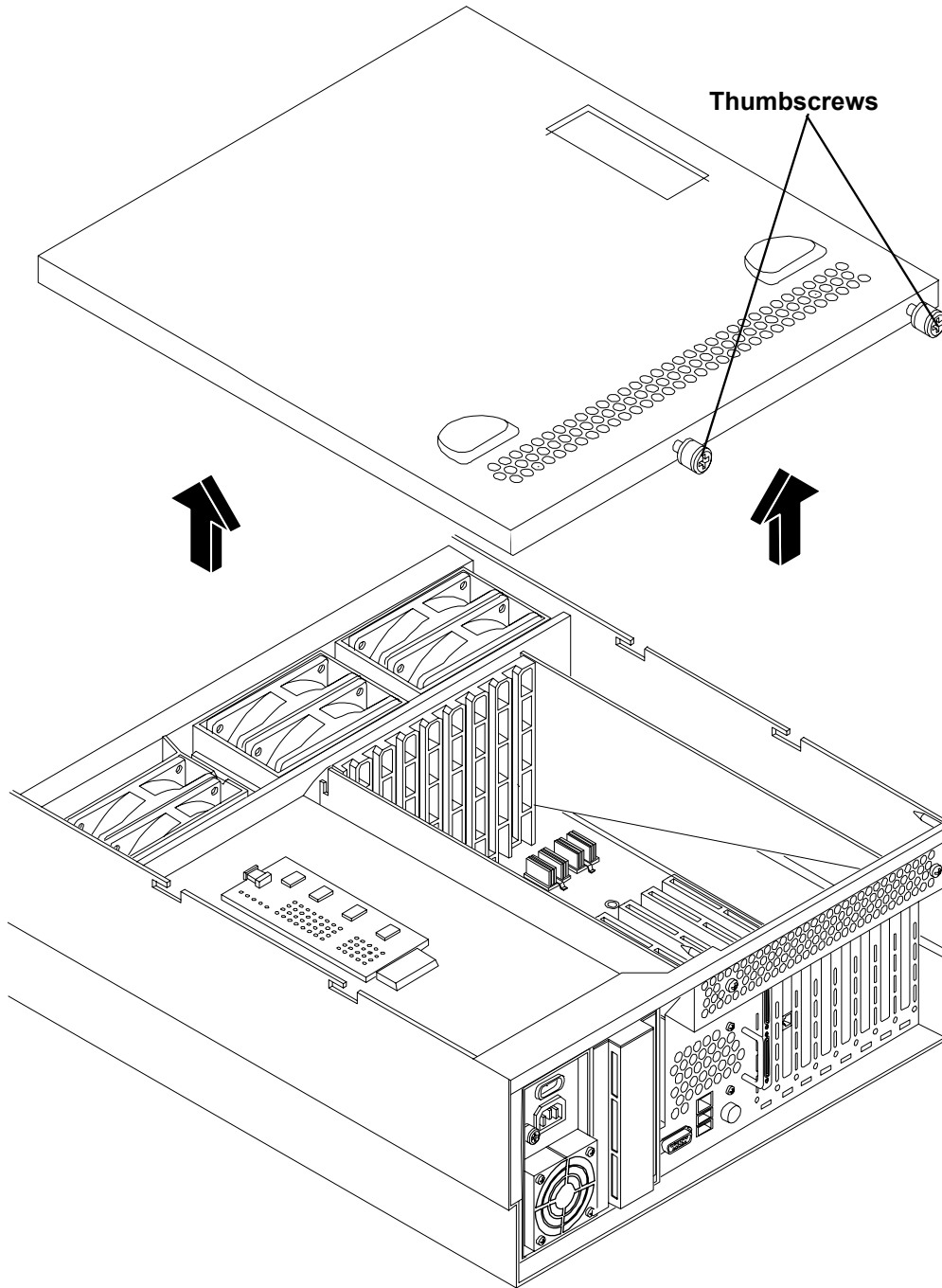
- Step 1.** If rack mounted, slide the HP Server out from the rack until it stops. See “Accessing a Rack Mounted Server” on page 121.
- Step 2.** Remove the front bezel. See “Front Bezel” on page 124.
- Step 3.** Using a Torx T15 driver, loosen the four captive thumbscrews that hold the front cover in place.
- Step 4.** Raise the cover slightly, and pull the cover toward the front of the server to free the tabs from the slots in the center of the chassis.

## Replacing the Front Cover

To replace the front cover, perform the following steps:

- Step 1.** Align the tabs at the rear of the front cover with the corresponding slots in the chassis and fully seat the tabs into the slots.
- Step 2.** Tighten the four thumbscrews securely.
- Step 3.** Replace the front bezel.
- Step 4.** If rack mounted, slide the HP Server into the rack until it stops.

**Figure 7-5**      **Removing and Replacing the Top Cover**





## Removing the Top Cover

To remove the top cover, perform the following steps:

- Step 1.** If rack mounted, slide the HP Server out from the rack until it stops. See “Accessing a Rack Mounted Server” on page 121.
- Step 2.** Loosen the two captive thumbscrews that hold the top cover in place.
- Step 3.** Pull the cover toward the rear of the server to free the tabs from the slots in the center of the chassis and lift it straight up.

## Replacing the Top Cover

To replace the top cover, perform the following steps:

- Step 1.** Align the tabs at the rear of the top cover with the corresponding slots in the chassis, fully seat the tabs into the slots, and push forward until it seats.
- Step 2.** Using a Torx T15 driver, tighten the two thumbscrews securely.
- Step 3.** If rack mounted, slide the HP Server into the rack until it stops.

## System Battery

The system battery may be replaced by removing the top cover and accessing the I/O baseboard.

To remove and replace the system battery, perform the following steps:

---

**CAUTION** Before changing your battery, save all boot configuration settings. These values will need to be reset after changing your battery.

---

**Step 1.** If rack mounted, slide the HP Server out from the rack until it stops. See “Accessing a Rack Mounted Server” on page 121.

**Step 2.** Remove the top cover from the chassis. See “Front and Top Covers” on page 126.

**Step 3.** Remove the I/O baseboard assembly from the chassis. See “I/O Baseboard Assembly” on page 154.

**Step 4.** Locate the system battery on the I/O baseboard. Remove the battery by lifting the retaining clip and pull the battery from its socket.

**Step 5.** Install the new battery and replace the retaining clip.

---

**NOTE** The positive terminal of the battery is designated by the “+” sign. The battery is installed with the “+” sign facing up.

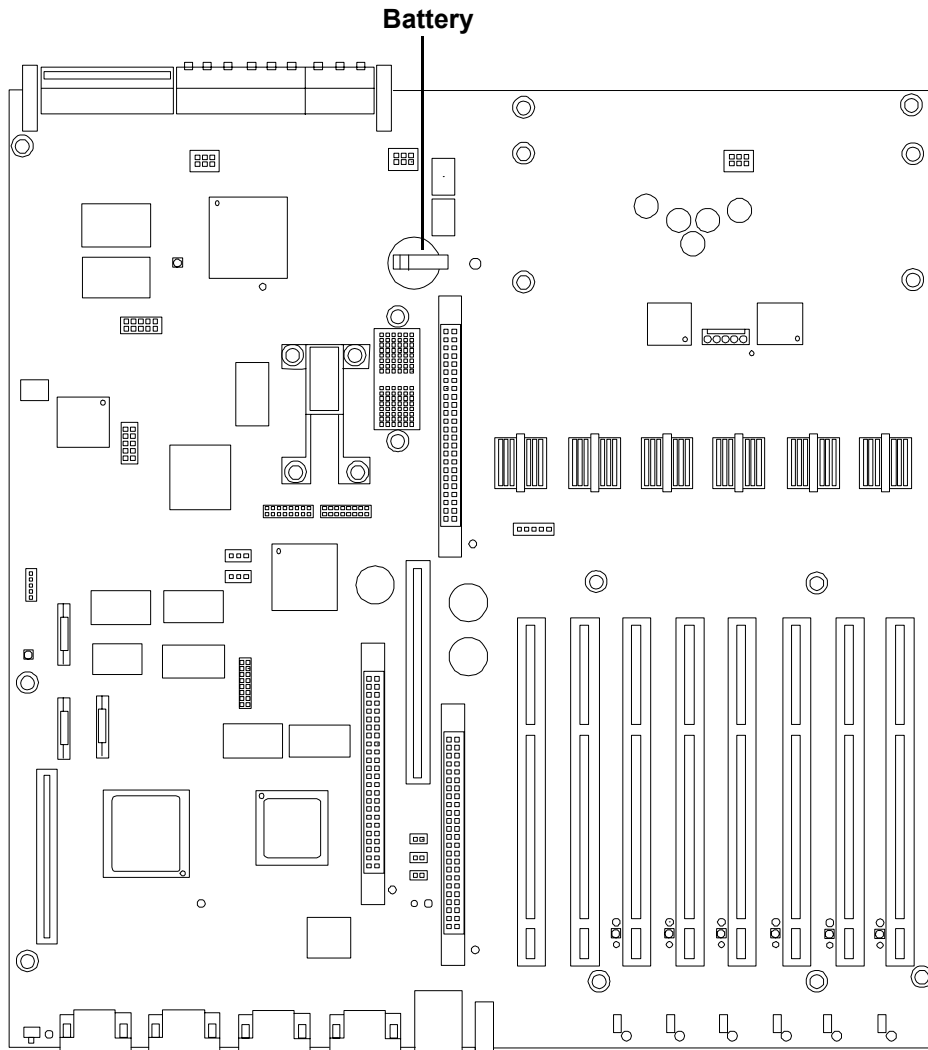
---

**Step 6.** Replace the top cover.

**Step 7.** Replace the I/O baseboard assembly.

**Step 8.** If rack mounted, slide the HP Server all the way in until it stops.

**Figure 7-6**      **Battery Location on I/O Baseboard**



## Memory Extender Board

The memory extender board is located directly under the front cover of the chassis. The standard memory extender board can hold up to 16 DIMMs. The high capacity memory extender board can hold up to 32 DIMMs.

---

**WARNING** Ensure that the system is powered down and all power sources have been disconnected from the server prior to removing or replacing a memory extender board.

**Voltages are present at various locations within the server whenever an AC power source is connected. This voltage is present even when the main power switch is in the off position.**

**Failure to observe this warning could result in personal injury or damage to equipment.**

---

---

**CAUTION** Observe all ESD safety precautions before attempting this procedure. Failure to follow ESD safety precautions could result in damage to the server.

---

## Removing a Memory Extender Board

To remove a memory extender board, perform the following steps:

**Step 1.** If rack mounted, slide the HP Server out from the rack until it stops. See “Accessing a Rack Mounted Server” on page 121.

---

**NOTE** If desired, the memory extender board may be removed without removing the HP Server from the rack.

---

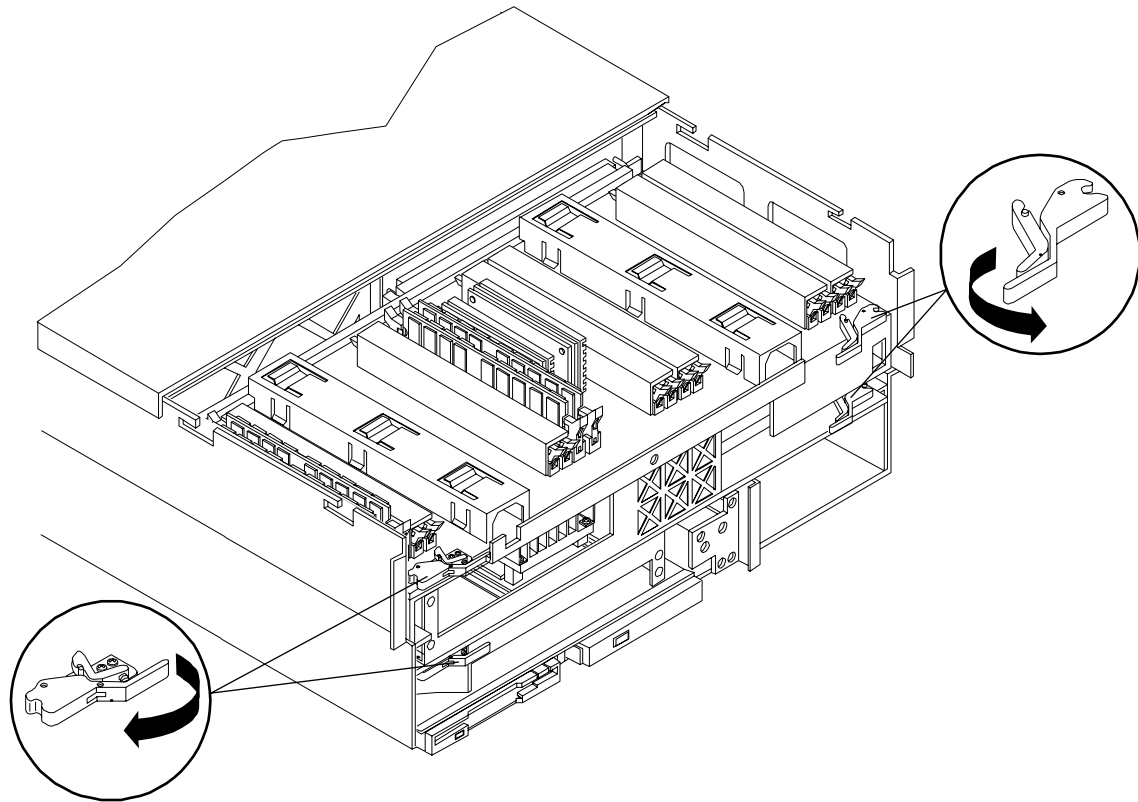
**Step 2.** Remove the front bezel from the chassis. See “Front Bezel” on page 124.

**Step 3.** Remove the front cover from the chassis. See “Front and Top Covers” on page 126.

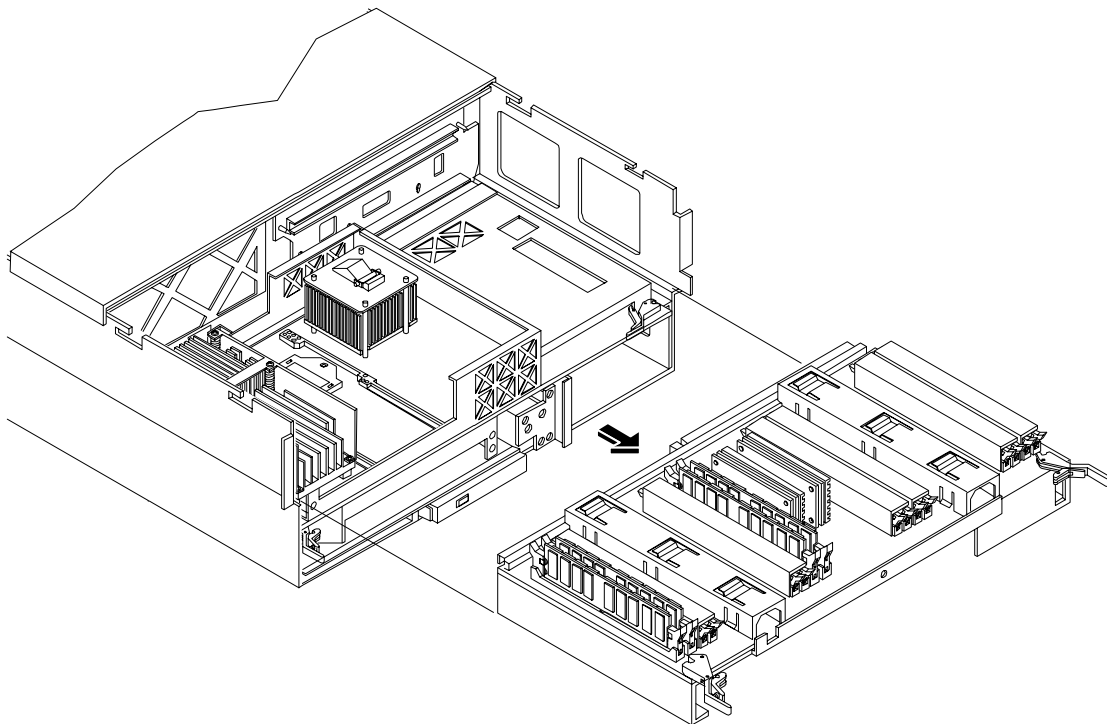
**Step 4.** Press each latch on the two extraction levers located on each side of the memory extender board.

**Step 5.** Pull on the extraction levers to unplug the memory extender board from the socket located on the midplane riser board and remove the memory extender board from the chassis.

**Figure 7-7** Memory Extender Board Latches



**Figure 7-8** Memory Extender Board



## Replacing a Memory Extender Board

To replace the memory extender board, perform the following steps:

- Step 1.** Ensure the extraction levers are positioned in the outward, unlocked position.
- Step 2.** Align the memory extender board with the front and rear chassis guide slots.
- Step 3.** Slide the memory extender board in until it begins to seat in the socket located on the midplane board.
- Step 4.** Push the extraction levers inward to the locked position in order to plug in the memory extender board into the midplane riser board.
- Step 5.** Replace the front cover.
- Step 6.** Replace the front bezel.
- Step 7.** If rack mounted, slide the HP Server into the rack until it stops.

---

## System Memory DIMMs

System memory DIMMs are located on the memory extender board.

---

**WARNING** Ensure that the system is powered down and all power sources have been disconnected from the server prior to removing or replacing system memory DIMMs. Voltages are present at various locations within the server whenever an AC power source is connected. This voltage is present even when the main power switch is in the off position. Failure to observe this warning could result in personal injury or damage to equipment.

---

---

**CAUTION** Observe all ESD safety precautions before attempting this procedure. Failure to follow ESD safety precautions could result in damage to the server.

---

## Removing System Memory DIMMs

To remove system memory, perform the following steps:

**Step 1.** If rack mounted, slide the HP Server out from the rack until it stops. See “Accessing a Rack Mounted Server” on page 121.

---

**NOTE** If desired, the processor extender board may be removed without removing the HP Server from the rack.

---

**Step 2.** Remove the front bezel. See “Front Bezel” on page 124.

**Step 3.** Remove the front cover. See “Front and Top Covers” on page 126.

**Step 4.** Remove the memory extender board. See “Memory Extender Board” on page 132.

**Step 5.** Identify the DIMM to be removed and push the appropriate extraction levers found on either side of the DIMM slot outward to the open position. The DIMM will eject from the slot.

**Step 6.** Remove the DIMM from the socket.

## Installing Memory DIMMs

Your hp 9000 rp4440 Server comes with a sixteen DIMM memory extender board that is minimally configured with 1GB of memory [four 256Mb DIMMs loaded in quad 0 (slots 0A,0B,0C,and 0D)]. See Figure 7-9, “16 DIMM Extender Board Slot IDs.”

An optional thirty-two DIMM memory extender board is available to replace the sixteen DIMM memory extender board and must also be minimally configured with 1GB in quad 0. See Figure 7-10, “32 DIMM Extender Board Slot IDs.”

You may insert additional DIMMs into both sixteen and thirty-two DIMM boards. When adding DIMMs, you must use a minimum of four like sized DIMMs in the next available quad.

**Supported DIMM Sizes**

Supported DIMM sizes are 256MB, 512MB, 1GB, 2GB. Dissimilar DIMM sizes may be used across the entire extender board but all four DIMMs in each quad must match. For cooling purposes, DIMM fillers must be used in some unused slots.

**DIMM Slot Fillers**

Both the sixteen and thirty-two DIMM extender boards have DIMM slot filler boards placed over all unfilled DIMM slots. As you fill DIMM quads with additional memory you must remove the DIMM slot fillers covering the affected slots. All remaining DIMM fillers in unused slots must remain in place to maximize internal cooling. See Table 7-1, “DIMM Filler Requirements for 16 DIMM Extender Board.”

---

**NOTE** One DIMM filler board covers two adjacent DIMM slots. As a general rule, only remove DIMM slot fillers as you add memory and the correct configuration will always remain.

---

**Table 7-1 DIMM Filler Requirements for 16 DIMM Extender Board**

<b>16 DIMM Extender Board</b>	
<b>DIMMs Loaded</b>	<b>Fillers Required<sup>a</sup></b>
4 DIMMs in quad 0	6 fillers total: 2 fillers in quads 1, 2, and 3  (all quads filled)
8 DIMMs in quads 0 and 1	4 fillers total: 2 fillers in quads 2 and 3  (all quads filled)
12 DIMMs in quads 0, 1, and 2	2 fillers total: 2 fillers in quads 3  (all quads filled)
16 DIMMs in quads 0, 1, 2, and 3	No fillers required

a. One DIMM filler board covers two adjacent DIMM slots.

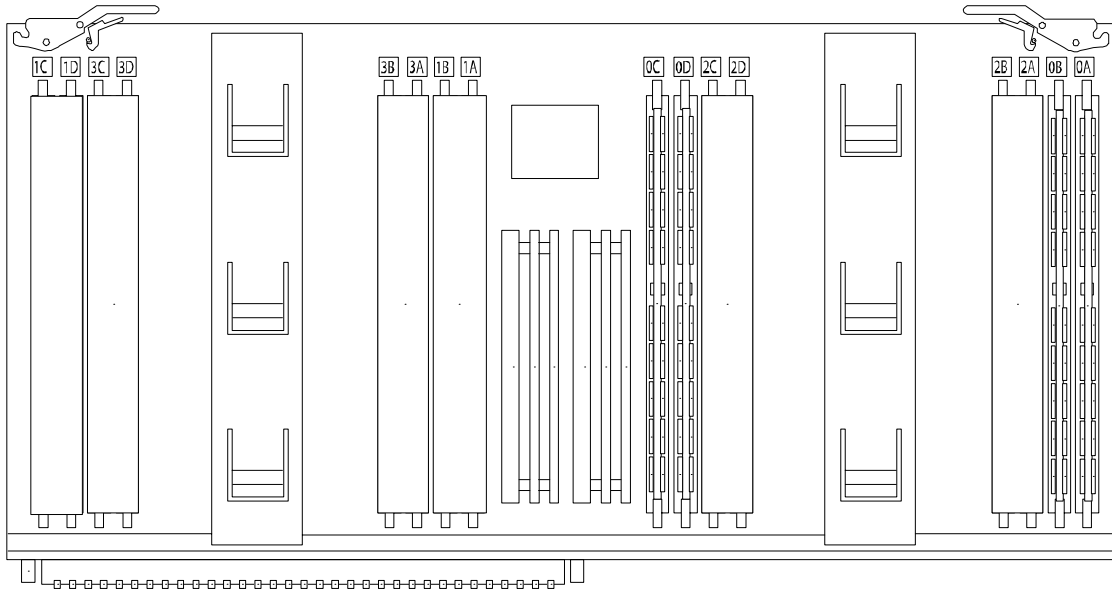


**Table 7-2 DIMM Filler Requirements for 32 DIMM Extender Board**

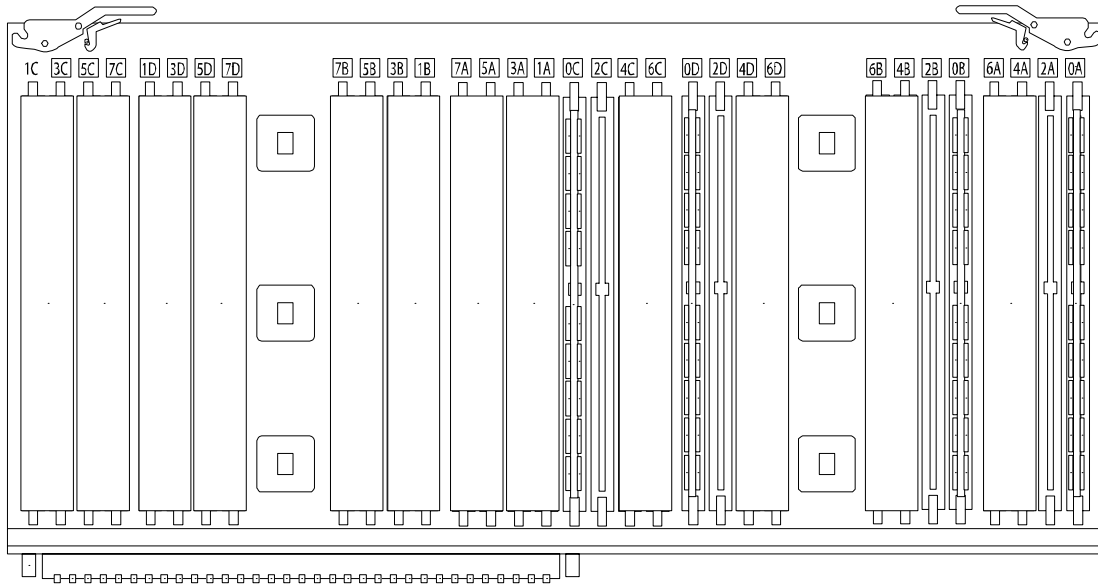
<b>32 DIMM Extender Board</b>	
<b>DIMMs Loaded</b>	<b>Fillers required<sup>a</sup></b>
4 DIMMs in quad 0	12 fillers total: 2 fillers in quads 1, 3, 4, 5, 6, and 7 (quad 2 remains unfilled)
8 DIMMs in quads 0 and 1	8 fillers total: 2 fillers in quads 4, 5, 6, and 7 (quads 2 and 3 remain unfilled)
12 DIMMs in quads 0, 1, and 2	8 fillers total: 2 fillers in quads 4, 5, 6, and 7 (quad 3 remains unfilled)
16 DIMMs in quads 0, 1, 2, and 3	8 fillers total: 2 fillers in quads 4, 5, 6, and 7 (all quads filled)
20 DIMMs in quads 0, 1, 2, 3, and 4	4 fillers total: 2 fillers in quads 5, 7 quad 6 remains unfilled
24 DIMMs in quads 0, 1, 2, 3, 4, and 5	No fillers required
28 DIMMs in quads 0, 1, 2, 3, 4, 5, and 6	No fillers required
32 DIMMs in quads 0, 1, 2, 3, 4, 5, 6, and 7	No fillers required

a. One DIMM filler board covers two DIMM adjacent slots.

**Figure 7-9 16 DIMM Extender Board Slot IDs**



**Figure 7-10 32 DIMM Extender Board Slot IDs**

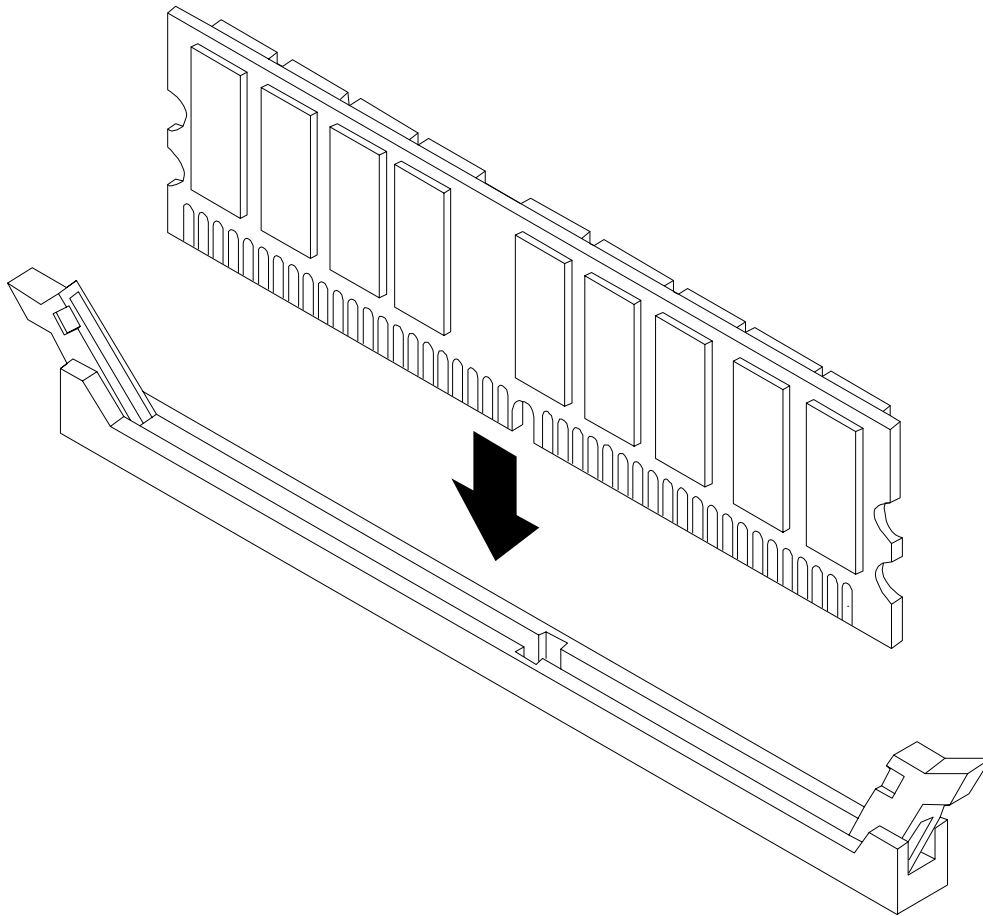


## Installing DIMMs

To install DIMMs, perform the following steps:

- Step 1.** Align the DIMM with the socket located on the memory extender board. (Align key in slot with the notch in the DIMM.)
- Step 2.** Gently and evenly push on each side of the DIMM until it seats in the socket. Ensure that the extraction levers are in the closed position.
- Step 3.** Replace the memory extender board.
- Step 4.** Replace the top cover.
- Step 5.** Replace the front bezel.
- Step 6.** If rack mounted, slide the HP Server into the rack until it stops.

**Figure 7-11**      **Inserting DIMM into Extender Board Slot**



## Processor Extender Board

The processor extender board is located directly under the memory extender board. The processor extender board can hold between one and four processors.

---

**WARNING** Ensure that the system is powered down and all power sources have been disconnected from the server prior to removing or replacing the processor extender board.

**Voltages are present at various locations within the server whenever an AC power source is connected. This voltage is present even when the main power switch is in the off position.**

**Failure to observe this warning could result in personal injury or damage to equipment.**

---

**CAUTION** Failure to properly complete the steps in this procedure will result in erratic system behavior or system failure. For assistance with this procedure contact your local HP Authorized Service Provider.

Observe all ESD safety precautions before attempting this procedure. Failure to follow ESD safety precautions could result in damage to the server.

---

## Removing the Processor Extender Board

To remove the processor extender board, perform the following steps:

**Step 1.** If rack mounted, slide the HP Server out from the rack until it stops. See “Accessing a Rack Mounted Server” on page 121.

---

**NOTE** If desired, the processor extender board may be removed without removing the HP Server from the rack.

---

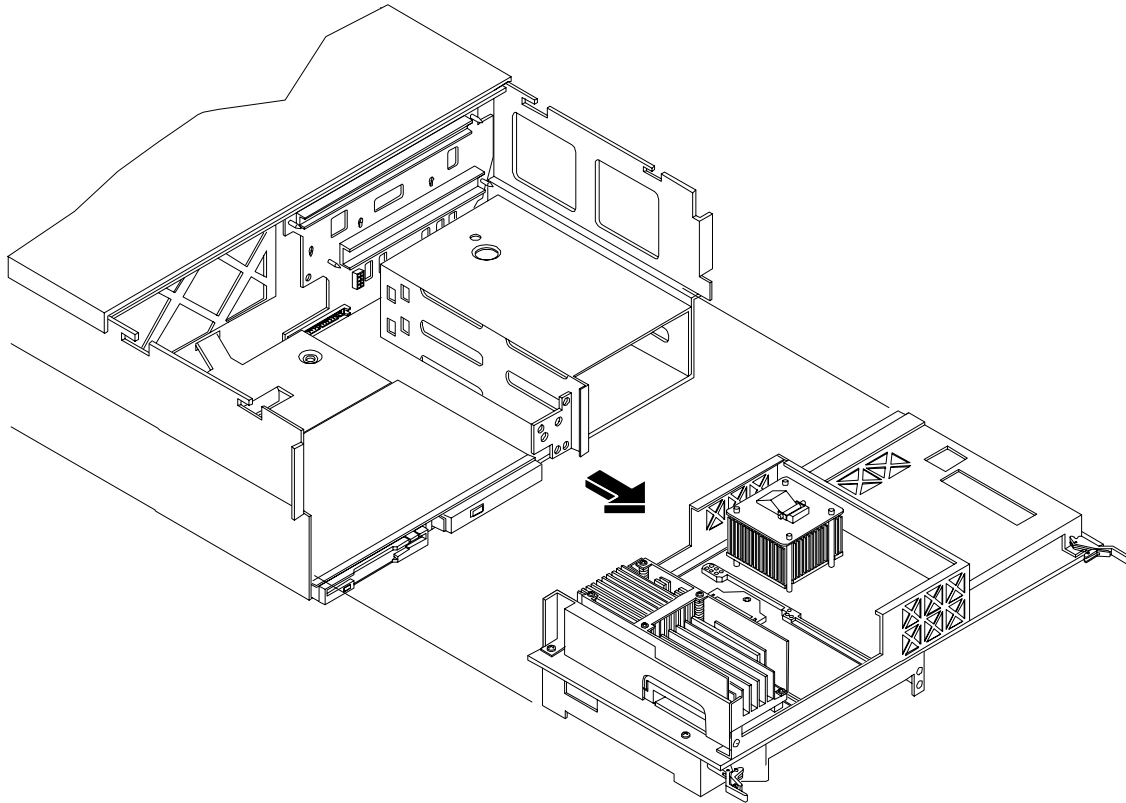
**Step 2.** Remove the front bezel. See “Front Bezel” on page 124.

**Step 3.** Remove the front cover. See “Front and Top Covers” on page 126.

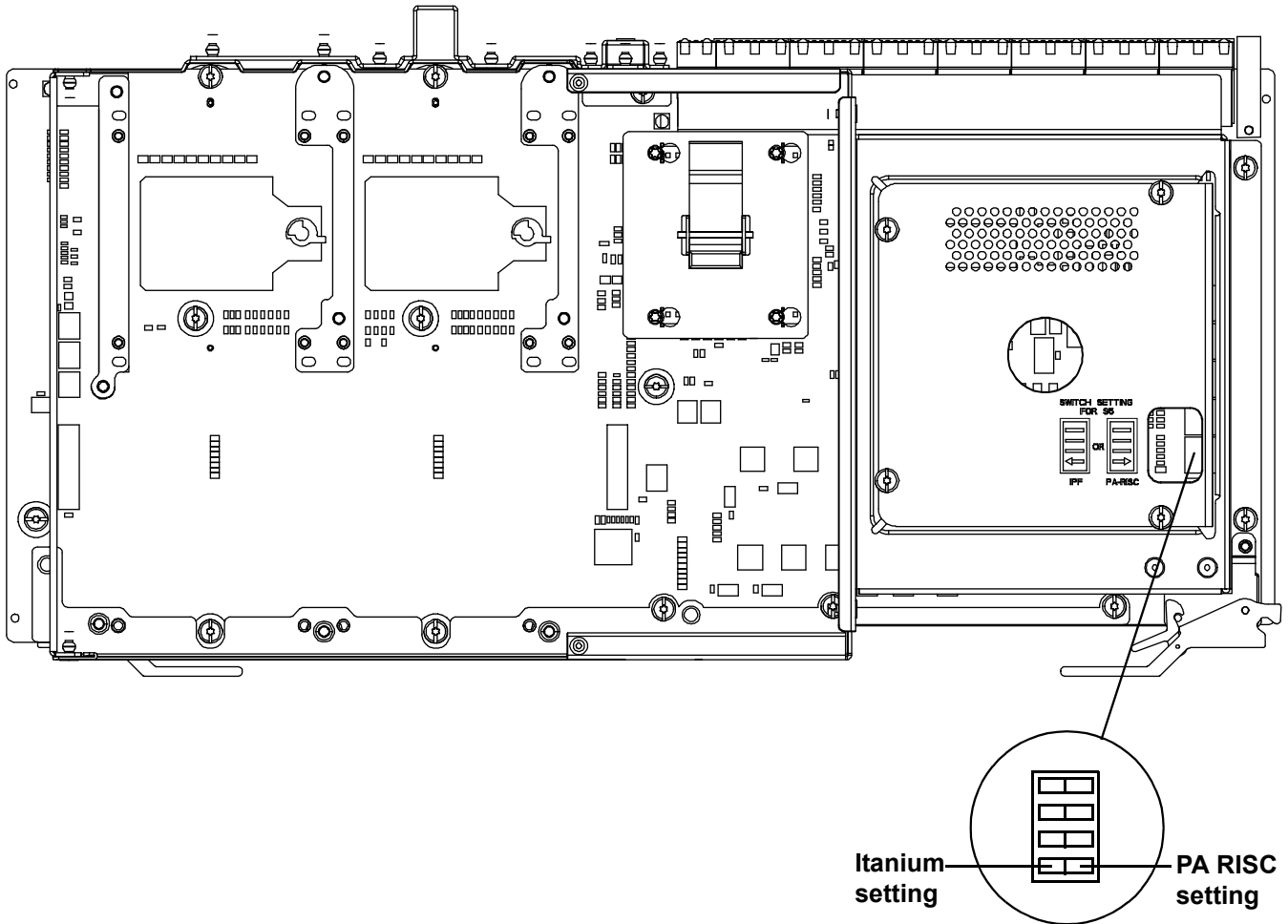
**Step 4.** Press the latch on the extraction levers located on each side of the processor extender board.

**Step 5.** Pull out on the extraction levers to unplug the processor extender board from the socket located on the midplane riser board.

**Figure 7-12 Processor Extender Board**



**Figure 7-13** Settings for PA RISC/IPF Dipswitch



## Replacing the Processor Extender Board

To replace the processor extender board, perform the following steps:

---

**CAUTION** Your processor extender board may be used in either Itanium (IPF) or PA RISC processor based systems. Ensure that the PA RISC/IPF dipswitch is set to PA RISC for proper functioning of your system. See Figure 7-13 on page 142 for the correct dipswitch settings.

---

- Step 1.** Ensure the extraction levers are positioned in the outward, unlocked position.
- Step 2.** Align the processor extender board with the front and rear card guides.
- Step 3.** Slide the processor extender board down until it begins to seat in the socket located on the midplane riser board.
- Step 4.** Push the extraction levers inward to the locked position in order to fully seat the processor extender board into the socket on the midplane riser board.
- Step 5.** Replace the front cover.
- Step 6.** Replace the front bezel.
- Step 7.** If rack mounted, slide the HP Server into the rack until it stops.

---

## Processors

Processors are located on the top and bottom surfaces of the processor extender board.

---

**WARNING** Ensure that the system is powered down and all power sources have been disconnected from the server prior to removing or replacing a processor.

Voltages are present at various locations within the server whenever an AC power source is connected. This voltage is present even when the main power switch is in the off position.

Failure to observe this warning could result in personal injury or damage to equipment.

---

### Installing Processors

---

**CAUTION** Ensure that the cache size is identical for all processors. Failure to observe this caution will result in system failure.

Ensure that all processors are rated for use at the same speed. Failure to observe this caution will result in performance degradation.

---

### Processor Load Order

Processors are housed on the processor extender board located under the top cover in the top service bay. The processor extender board can hold between one and four processors. CPU 0 and CPU 1 are located on the top of the processor extender board and CPU 2 and CPU 3 are located on the bottom. Processors must be installed in a specific order.

**Table 7-3 Processor Load Order**

Processor	Socket
1	CPU 0
2	CPU 1
3	CPU 2
4	CPU 3

---

**CAUTION** Do not modify the settings of the DIP switches located on the processor extender board. These switches are for factory use. Failure to observe this caution will result in system failure.

---



## Tools Required

To install processors in your HP Server, you must use the IPF CPU Install Kit, 5069-4551.

This toolkit consists of:

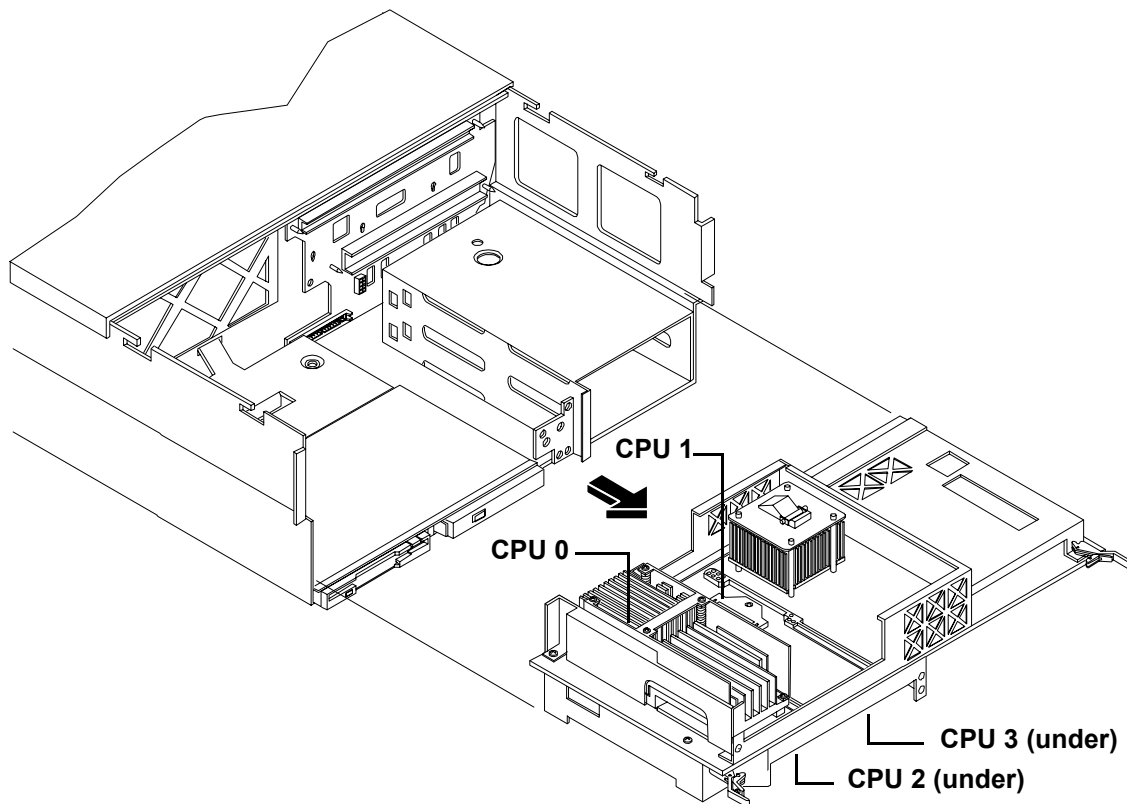
- 1ea, A3024-80004, Disposable ESD Kit
- 1ea, A7231-04046, Label-less CPU Install tool

---

**CAUTION** Do not modify the settings of the DIP switches located on the processor extender board. These switches are for factory use. Failure to observe this caution will result in system failure.

---

**Figure 7-14** Removing the Processor Extender Board



## Removing a Processor

To remove a processor on the processor extender board, perform the following steps:

- Step 1.** If rack mounted, slide the HP Server out from the rack until it stops. See “Accessing a Rack Mounted Server” on page 121.
- Step 2.** Remove the front bezel. See “Front Bezel” on page 124.
- Step 3.** Remove the front cover. See “Front and Top Covers” on page 126.
- Step 4.** Remove the processor extender board. See “Processor Extender Board” on page 140.
- Step 5.** Unplug the processor cable from its socket on the extender board.

- Step 6.** Using a Torx T15 driver, loosen the 4, T15 shoulder screws and the 2 knurled thumbscrews that attach the sequencer frame on the heatsink, until the sequencer frame is free.
- Step 7.** Remove the sequencer frame from the heatsink.
- Step 8.** Unlock the assembly to the socket by rotating the cam on the socket 180 degrees clockwise, using a 2.5 MM driver (Allen wrench).
- Step 9.** Ensure the cam on the processor socket lock is in the unlocked, counterclockwise position.
- Step 10.** Carefully remove the processor, from the processor socket.

## Replacing a Processor

To install a processor on the extender board, perform the following steps:

Prior to installing a processor into your system, read the following instructions carefully and refer to Figure 7-17, “Installing Processor on Extender Board,” for a complete understanding of this process.

- Step 1.** If rack mounted, slide the HP Server out from the rack until it stops. See “Accessing a Rack Mounted Server” on page 121.
- Step 2.** Remove the front bezel. See “Front Bezel” on page 124.
- Step 3.** Remove the front cover. See “Front and Top Covers” on page 126.
- Step 4.** Remove the processor extender board and place on anti-static mat. See “Processor Extender Board” on page 140.
- Step 5.** Ensure the cam on the processor socket lock is in the unlocked, counterclockwise position.
- Step 6.** Carefully lower the processor, without the sequencer clamp, onto the processor socket. Align the pins on the bottom of the heatsink to the slots in the retention frame on the extender board.

---

**CAUTION** Test the alignment of the assembly to the socket by gently moving the assembly back and forth with the palm of your hand—you should feel little or no sideplay. However, because the assembly is not yet tightened, it may tilt slightly towards the center of the extender board—this is acceptable.

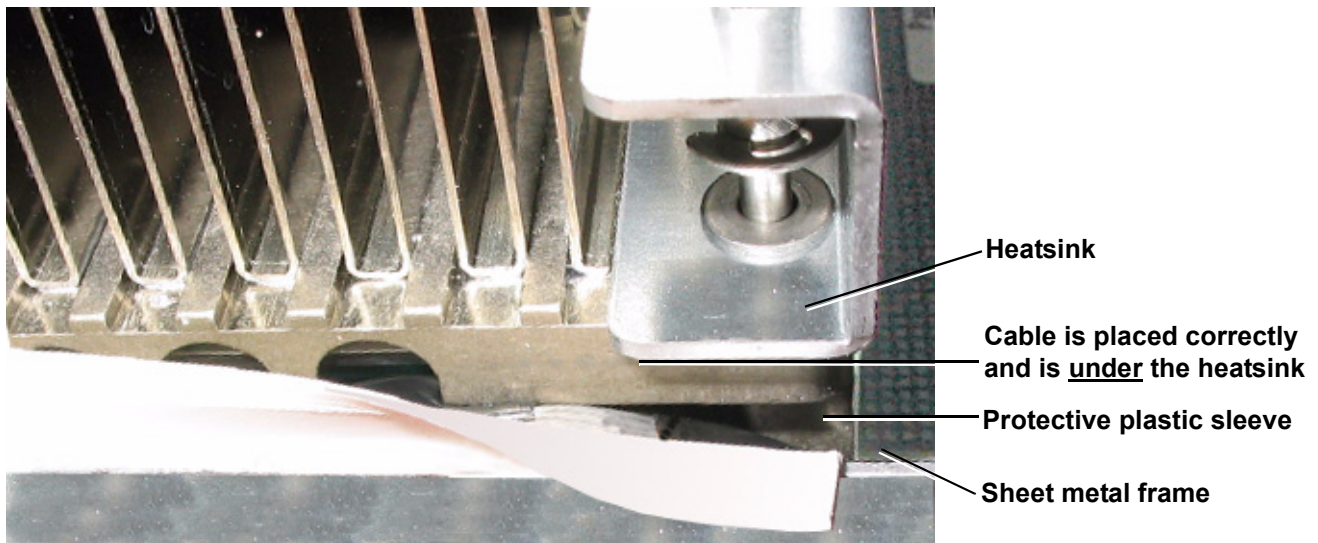
---

---

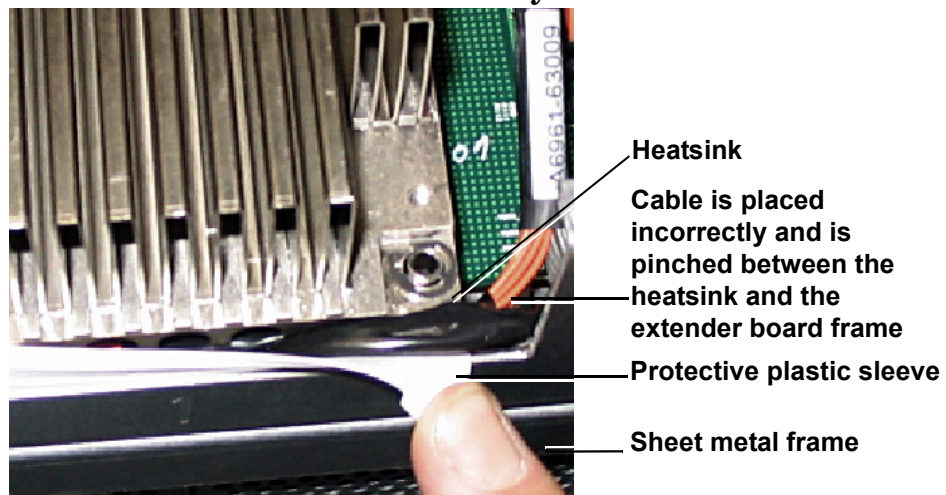
**CAUTION** Before locking the processor assembly into its socket, ensure that the power cable is not pinched between the heatsink and sheet metal frame of the extender board. Also, ensure that the two power cable ends attached to the CPU assembly do not come unplugged from their sockets when you move the cable into place under the heatsink. See Figure 7-15 on page 147 and Figure 7-16 on page 147.

---

**Figure 7-15 Processor Cable Placed Correctly**



**Figure 7-16 Processor Cable Placed Incorrectly**



- Step 7.** Lock the assembly to the socket by rotating the cam on the socket 180 degrees clockwise, using a 2.5 mm driver (Allen wrench).

---

**CAUTION** When rotating the locking cam, hold the palm of your hand on top of the assembly and exert light pressure. This ensures that the assembly stays flush and level to the socket while it is being tightened.

---

- Step 8.** Plug in the processor cable to its socket on the extender board.

- Step 9.** Place the sequencer frame over the processor.

- Step 10.** Using your fingers, hand-tighten the 2 knurled thumbscrews on the sequencer frame just until the screw stops turning.

---

**CAUTION** Do not tighten the other 4 shoulder screws until you have first hand-tightened the 2 knurled thumbscrews.

---

**Step 11.** Using the supplied Torx T15 driver, tighten the 4 remaining T15 shoulder screws until they just bottom out. Follow the tightening sequence shown in Figure 7-17, “Installing Processor on Extender Board.”

---

**CAUTION** Do not overtighten the 4 shoulder screws—they may shear off if overtightened. Stop tightening the shoulder screws when you feel them just bottom out.

---

**Step 12.** Using the supplied Torx T15 driver, finish tightening the 2 thumbscrews.

---

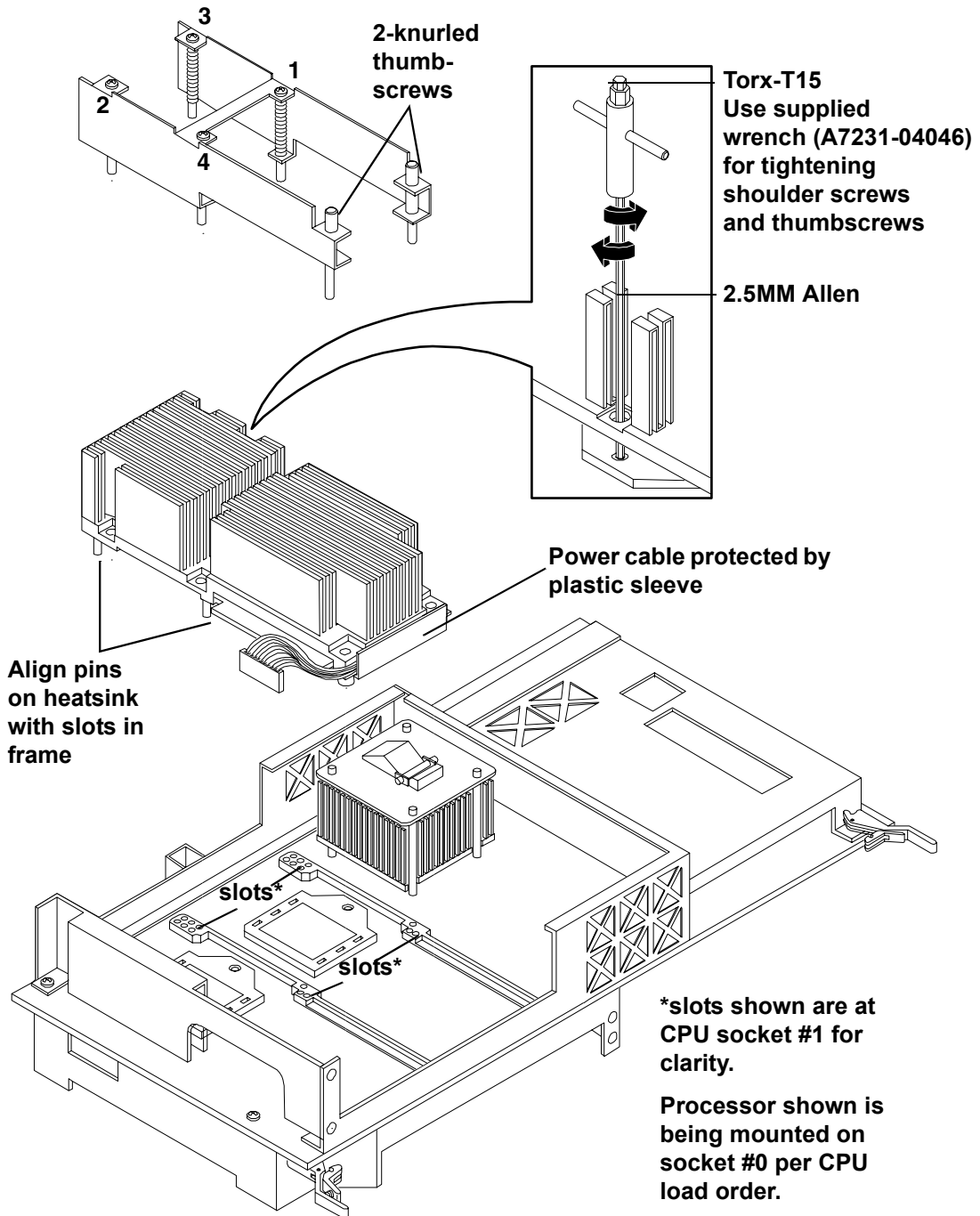
**CAUTION** Do not overtighten the 2 thumbscrews—they may shear off if overtightened. Tightening the thumbscrews 1/4 turn will tighten them sufficiently.

---

### Figure 7-17 Installing Processor on Extender Board

Tightening sequence for 4-shoulder screws is 1, 2, 3, 4

**DO NOT OVERTIGHTEN!** See Step 7



---

## Hot-Swap Chassis Fan Unit

There are three hot-swap chassis fan units in the HP Server. Fan units 0, 1, and 2 are in the center of the chassis spanning the full chassis width. Fan units 0 and 1 are interchangeable and are in the left and center positions. Fan unit 2 is smaller and only fits into the right-most position (behind the power supply).

---

**CAUTION** Observe all ESD safety precautions before attempting this procedure. Failure to follow ESD safety precautions could result in damage to the server.

---

---

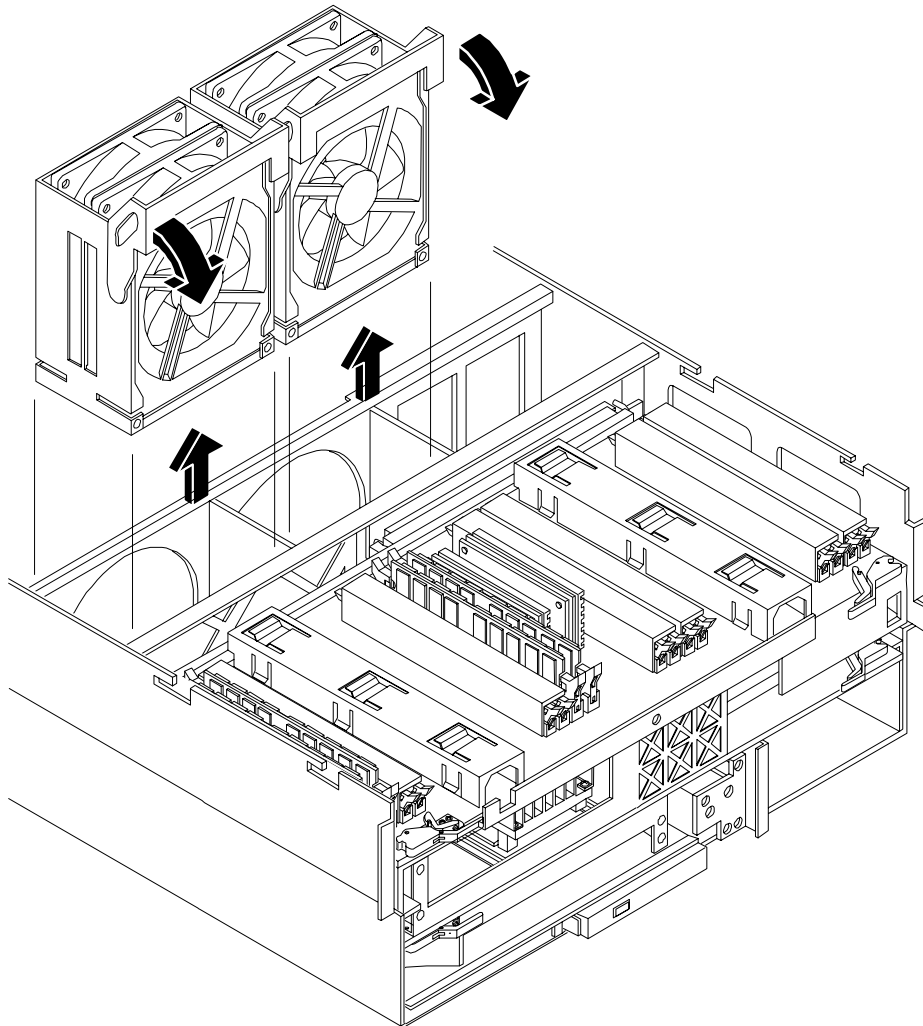
**NOTE** A hot-swap device does not require interaction with the operating system before the device is removed from or installed into the server.

The AC power to the server does not have to be off to remove or replace a hot-swap chassis fan unit.

---

## Removing a Hot-Swap Chassis Fan Unit

Figure 7-18 Hot-Swap I/O Chassis Fans Removal and Replacement



To remove a hot-swap chassis fan unit, perform the following steps:

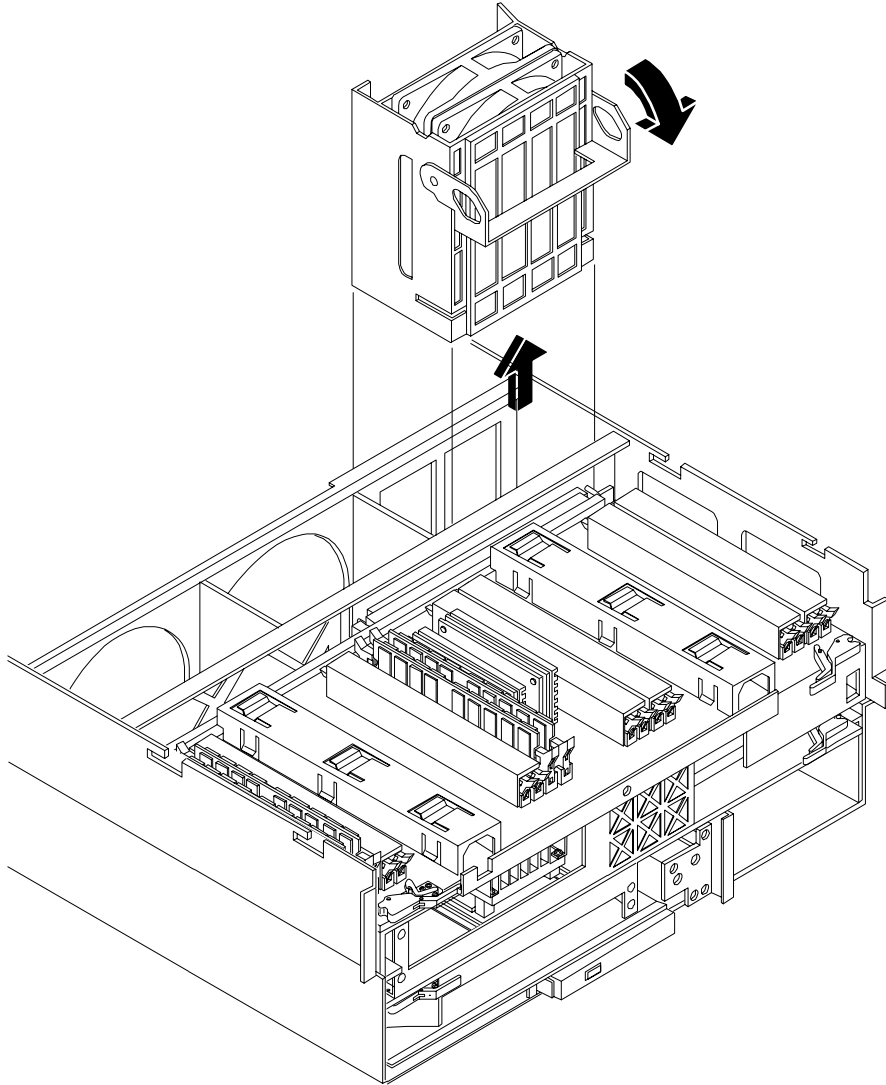
- Step 1.** If rack mounted, slide the HP Server out from the rack until it stops. See “Accessing a Rack Mounted Server” on page 121.
- Step 2.** Remove the front bezel. See “Front Bezel” on page 124.
- Step 3.** Remove the top cover. See “Front and Top Covers” on page 126.
- Step 4.** Grasp the fan unit locking handle, tilt it up, and pull out the fan from the chassis.

---

**NOTE** When one fan unit is removed from the server, the remaining fan units operate at full speed for two minutes. After two minutes a “soft-shutdown” will occur.

---

**Figure 7-19** Hot-Swap Power Supply Chassis Fan Removal and Replacement





## Replacing a Hot-Swap Chassis Fan Unit

To replace a hot-swap chassis fan unit, perform the following steps:

- Step 1.** Orient the fan units by aligning the appropriate icon on the fan unit handle to the identical icon on the chassis wall. Fan units 0 and 1 have “triangle” icons and fan unit 2 has a “square” icon.
- Step 2.** Push the fan unit firmly into the housing and close the handle until flush to the top of the chassis—the fan unit will plug into the power outlet on the I/O baseboard.

---

**CAUTION** If the fan unit handle does not close completely it is misaligned. Remove the fan unit and check that the alignment icons are oriented correctly.

---

- Step 3.** Check the QuickFind diagnostic board LED indicating the replaced fan unit.
- When the fan is functioning normally, the LED is off.
  - When the fan fails, the LED is lit.
- Step 4.** Replace the top cover.
- Step 5.** Replace the front bezel.
- Step 6.** If rack mounted, slide the HP Server into the rack until it stops.

## I/O Baseboard Assembly

The I/O baseboard assembly is located in the rear service bay.

---

**WARNING** Ensure that the system is powered down and all power sources have been disconnected from the server prior to removing or replacing the I/O baseboard assembly.

**Voltages are present at various locations within the server whenever an AC power source is connected. This voltage is present even when the main power switch is in the off position**

**Failure to observe this warning could result in personal injury or damage to equipment.**

---

**CAUTION** Failure to properly complete the steps in this procedure will result in erratic system behavior or system failure. For assistance with this procedure contact your local HP Authorized Service Provider.

Observe all ESD safety precautions before attempting this procedure. Failure to follow ESD safety precautions could result in damage to the server.

---

### Removing the I/O Baseboard Assembly

To remove the I/O baseboard assembly, perform the following steps:

---

**CAUTION** Before removing your I/O baseboard assembly, save all boot configuration settings. These values will need to be reset after replacing your I/O baseboard assembly.

---

**Step 1.** If rack mounted, slide the HP Server out from the rack until it stops. See “Accessing a Rack Mounted Server” on page 121.

**Step 2.** Remove the top cover. See “Front and Top Covers” on page 126.

**Step 3.** Remove the three chassis fan units. See “Hot-Swap Chassis Fan Unit” on page 150.

**Step 4.** Unplug all external cabling attached to ports at the rear of the I/O baseboard.

**Step 5.** Unplug the SCSI cables attached to the HBA board in PCI slot 1.

---

**CAUTION** When unplugging the SCSI cables, note the labeling on the SCSI A and SCSI B channel cables. When re-plugging in these cables, you must match each cable with its appropriate socket on the SCSI HBA. If the cables are mismatched your system may not reboot. Both cables and sockets are clearly marked with the correct channel.

---

**Step 6.** Lift up on the locking lever attached to the side of the Power Supply cage to unplug the I/O baseboard from the socket on the midplane riser board. See Figure 7-20, “I/O Board Locking Lever.”

**Step 7.** Slide the I/O baseboard assembly all the way to the rear until removed from chassis.

---

**NOTE** The I/O baseboard assembly is large, so be careful when lifting it out of the server chassis.

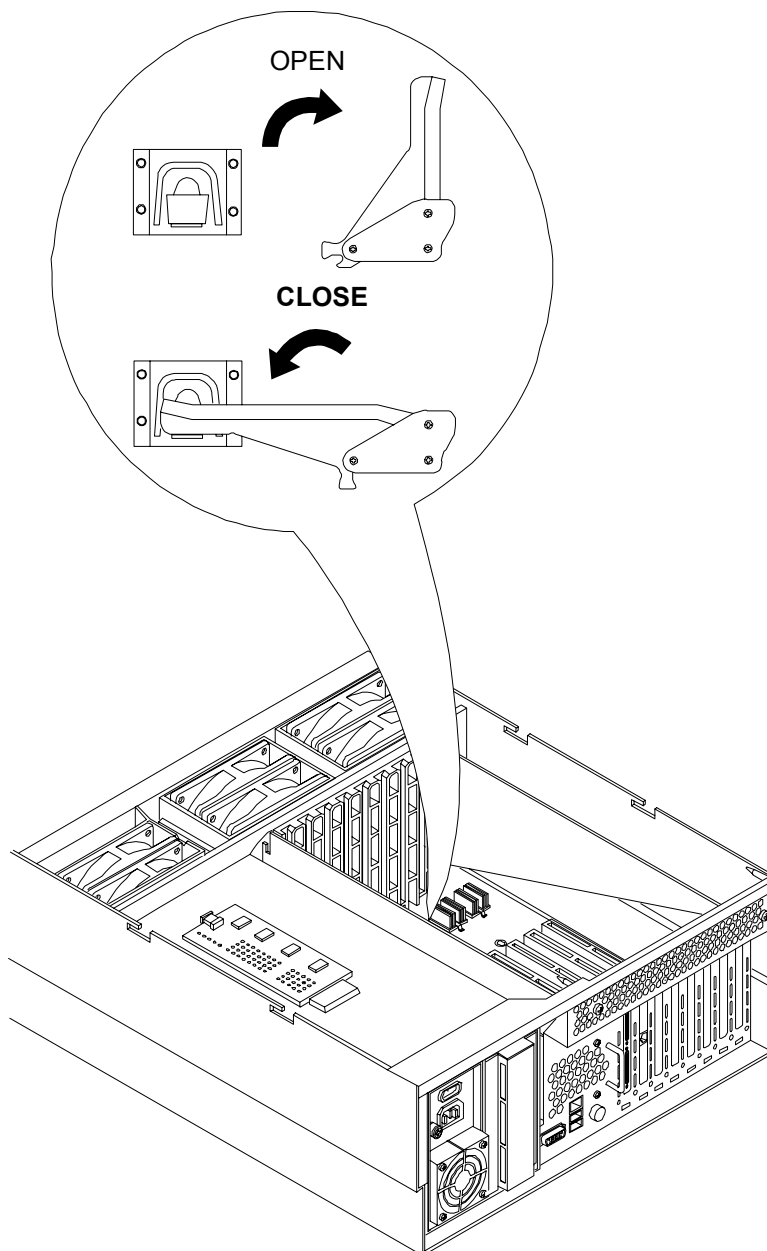
---

---

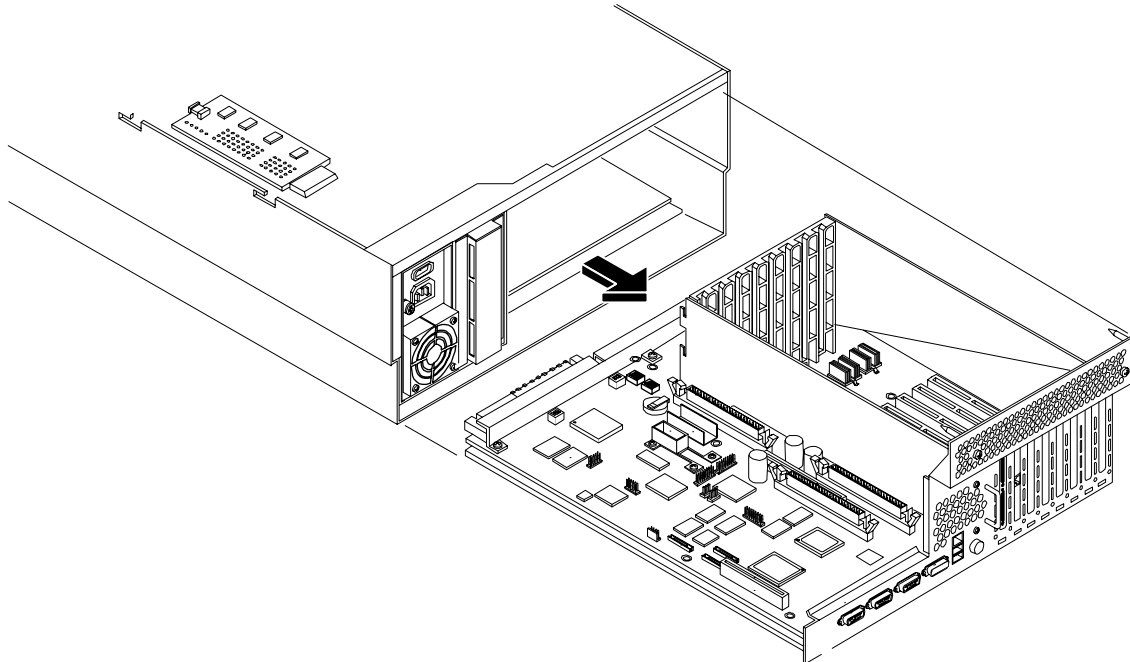
**NOTE** If you are going to replace the I/O board with a new board, remove the cover from the VGA port at the rear of the I/O board and save it to put on VGA port of the new board. This VGA graphics port is not supported on your hp 9000 rp4440 Server.

---

**Figure 7-20** I/O Board Locking Lever



**Figure 7-21** I/O Baseboard



## Replacing the I/O baseboard Assembly

---

**NOTE** The I/O baseboard is large, so use care when sliding it into the server chassis.

---

To replace the I/O baseboard assembly, perform the following steps:

**Step 1.** Align the I/O baseboard assembly rails with the chassis slots and slide the assembly into the chassis until it stops against the midplane riser board socket.

---

**CAUTION** Ensure the I/O board locking lever is in the “up” position or the I/O board will hang up before engaging the midplane riser board socket.

Also, ensure that all fan modules are removed from the chassis prior to sliding in the I/O baseboard or both the fans and the I/O baseboard may be damaged.

---

---

**CAUTION** Before installing your replacement I/O board, check dipswitch S5102 on located on top of the I/O board. Dipswitch position bit 1 must be in the OFF position to disable the on-board Radeon graphics chip. If you do not disable the Radeon graphics chip it will appear as “unknown-unclaimed” when performing the `ioscan` command. See Figure 7-22 on page 159.

Remember to replace the VGA port cover on the new board that you saved when removing the old I/O board. This VGA graphics port is not supported on your hp 9000 rp4440 Server.

---

- Step 2.** With the I/O board flush against the midplane riser board socket, push down firmly on the locking lever until the I/O baseboard plugs all the way into the midplane riser board socket and the locking lever clicks into place on the chassis wall. See Figure 7-20 on page 156.
- Step 3.** Replace the three chassis fan units.
- Step 4.** Plug in all external cabling the rear ports of the I/O baseboard.

---

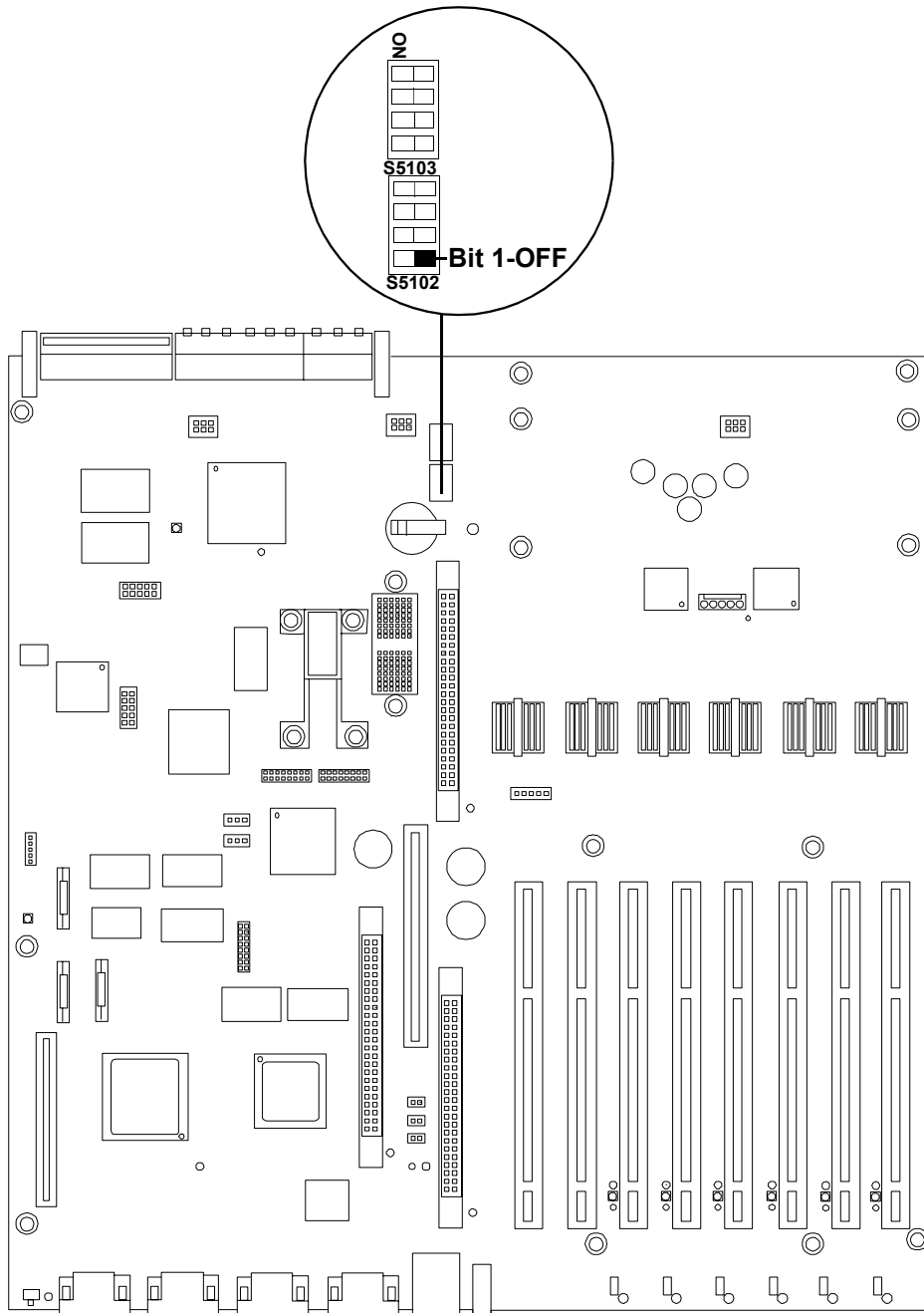
**CAUTION** When re-plugging the SCSI cables, note the labeling on the SCSI A and SCSI B channel cables. You must match each cable with its appropriate socket on the SCSI HBA. If the cables are mismatched your system may not reboot. Both cables and sockets are clearly marked with the correct channel.

---

- Step 5.** Plug in the internal SCSI cable(s) to the HBA board in PCI slot 1.
- Step 6.** Replace the top cover.
- Step 7.** Replace the front bezel.

**Step 8.** If rack mounted, slide the HP Server into the rack until it stops.

**Figure 7-22 S5102 Dipswitch**



## Removing and Replacing PCI/PCI-X Cards

The server may contain up to 8 PCI/PCI-X cards. PCI/PCI-X cards are located on the I/O baseboard, under the top cover. If you are not using the hot-plug procedure described in the Installing and Configuring chapter to remove or replace PCI/PCI-X cards, follow the steps in this procedure to change PCI-PCI-X cards.

---

**WARNING**    **Ensure that the system is powered-down and all power sources have been disconnected from the server prior to removing or replacing a PCI/PCI-X card.**

**Voltages are present at various locations within the server whenever an AC power source is connected. This voltage is present even when the main power switch is in the off position.**

**Failure to observe this warning could result in personal injury or damage to equipment.**

**This is not a hot-plug operation. Power must be turned off to the entire system prior to removing and replacing PCI/PCI-X cards in your HP Server.**

---

---

**CAUTION**    Observe all ESD safety precautions before attempting this procedure. Failure to follow ESD safety precautions could result in damage to the server.

---

---

**NOTE**        PCI/PCI-X slots are numbered from 1 through 8, reading left-to-right when looking at the rear of your HP Server. PCI slots 1 and 2 are dedicated for use by the core I/O cards. The core I/O functions are shared between two cards; an SCSI HBA card which must be located in slot 1, and a Gigabit Ethernet LAN which must be located in slot 2. (See Figure 7-23.)

---

---

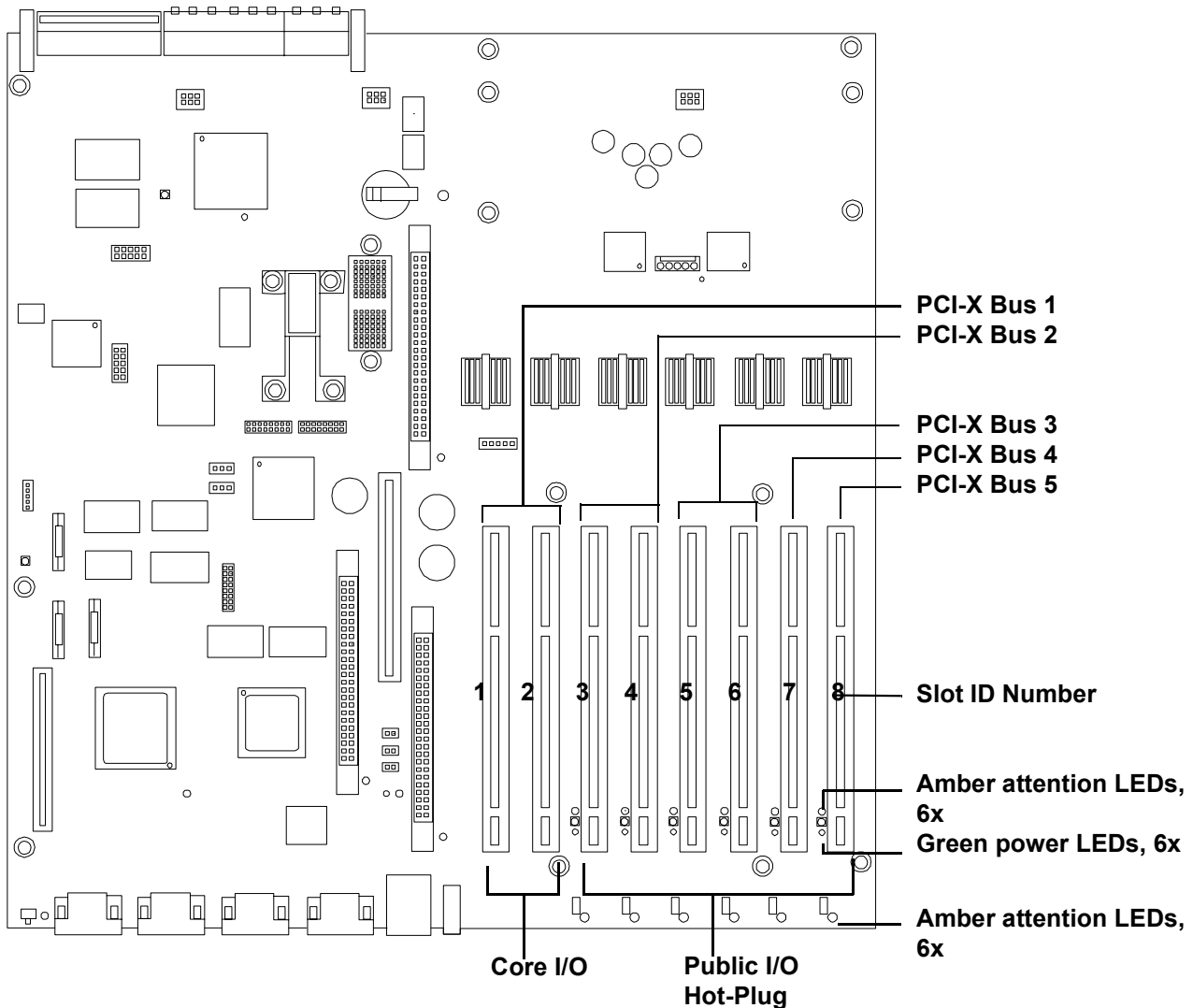
**NOTE**        If you are installing the Graphics Kit A6150B, use slots 3-8. However, DO NOT install the included USB card. Your HP Server currently supports USB and the ports are already located on the rear of your HP Server.

If you are installing the RAID card A7143A, you must install it into slot 8. If you install this card in any other slot it will interfere with the manual retention latch (MRL) on the OLX divider in the next higher slot. Because of this interference you are restricted to only two RAID cards in your system-slot 1 and slot 8.

---



**Figure 7-23** PCI Cards Locations



## Removing a PCI/PCI-X Card

To remove a PCI card from the server, perform the following steps:

---

**CAUTION** Record the slot location of all PCI cards as they are removed. Depending on the operating system, replacing the PCI cards in a different location might require system reconfiguration and could cause boot failure.

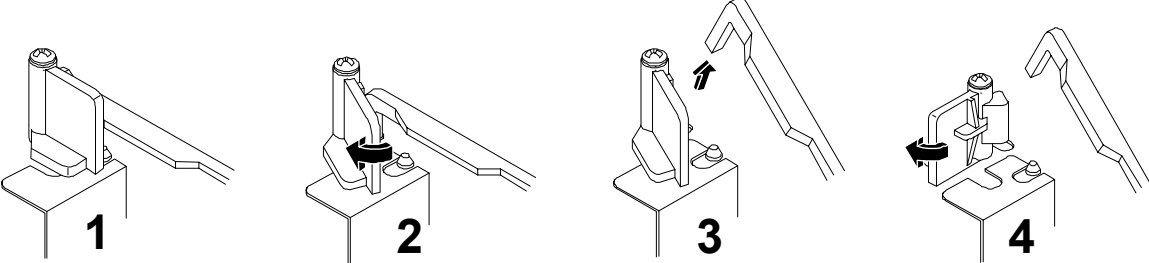
---

**Step 1.** If rack mounted, slide the HP Server out from the rack until it stops. See “Accessing a Rack Mounted Server” on page 121.

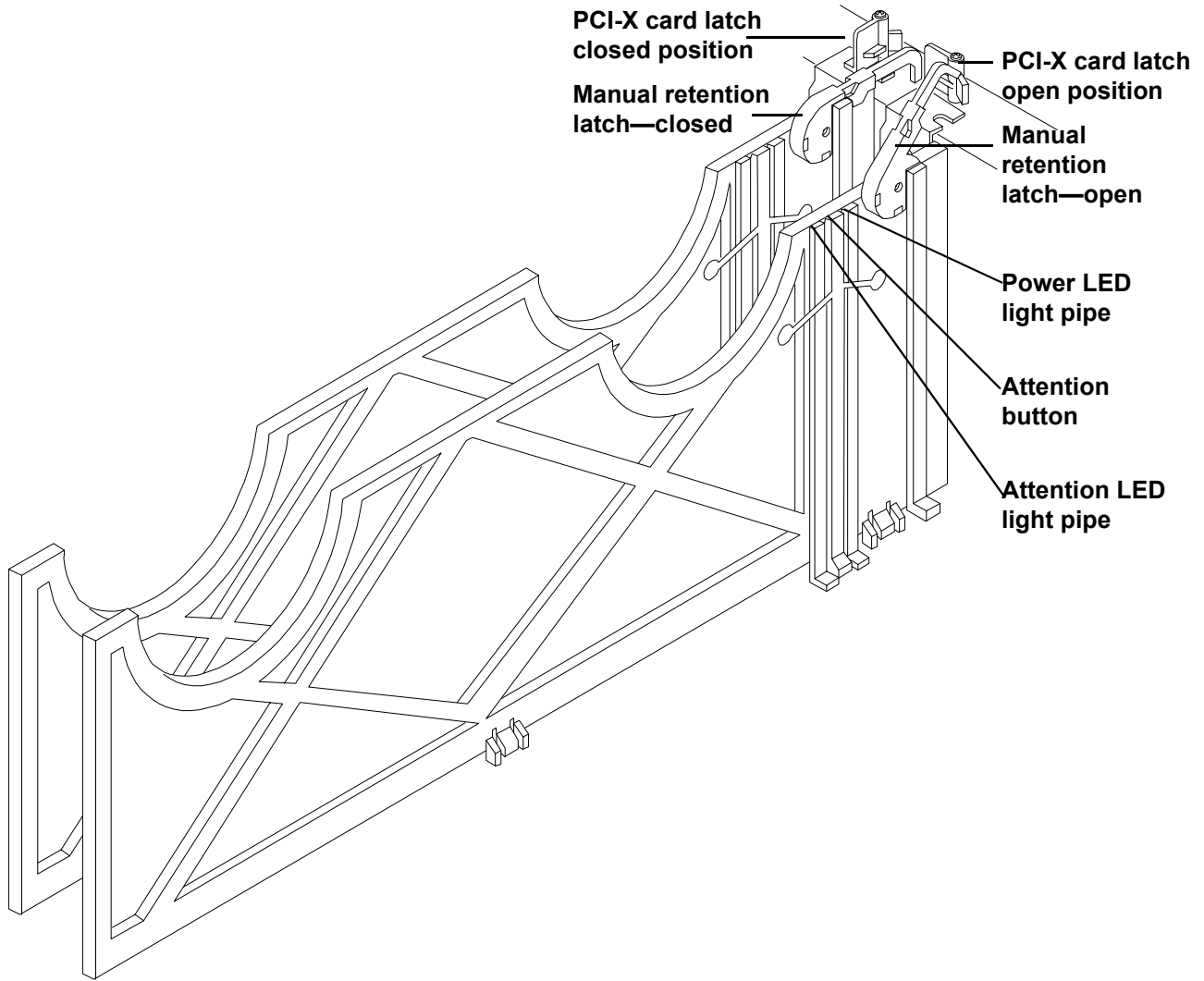
**Step 2.** Remove the top cover. See “Front and Top Covers” on page 126.

- Step 3.** Disconnect all external and internal cables attached to the PCI card in the side service bay.
- Step 4.** Turn the PCI/PCI-X card latch on the chassis to ~ 45 degrees CW to free up the manual retention latch (MRL).
- Step 5.** Pull up on the MRL until it stops.
- Step 6.** Turn the PCI/PCI-X card latch another 45 degrees CW to completely expose the PCI-PCI-X card bulkhead. See Figure 7-25 on page 164
- Step 7.** If the PCI/PCI-X card is full size, open the slider gate bracket to allow PCI/PCI-X card removal. See Figure 7-26 on page 166.
- Step 8.** Remove the card from the slot by grasping the top edges of the card and pulling up. The notches in the OLX dividers provide access to the PCI card for removal.

**Figure 7-24** PCI-X Card Latch Opening Sequence



**Figure 7-25** OLX Divider

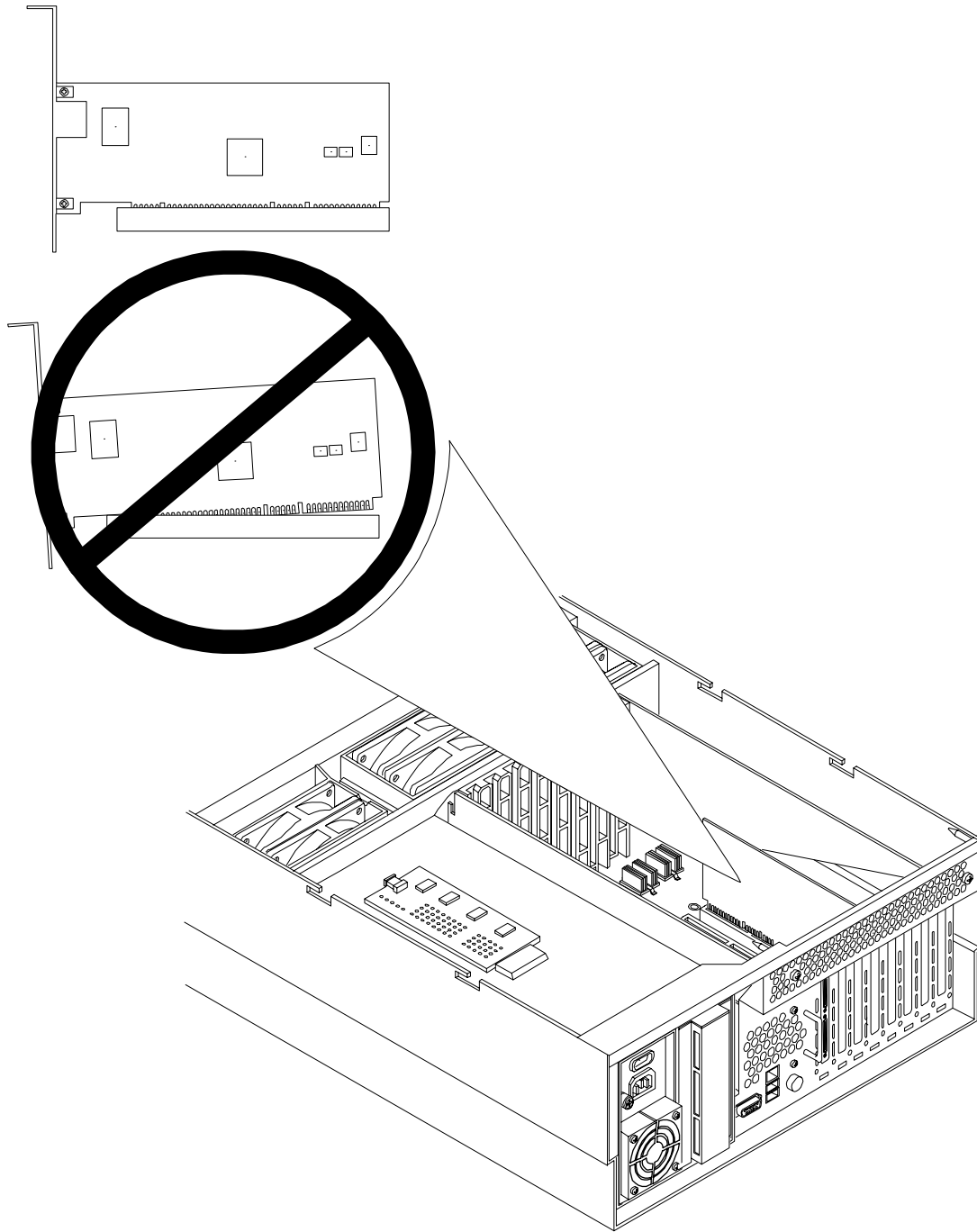


## Replacing a PCI Card

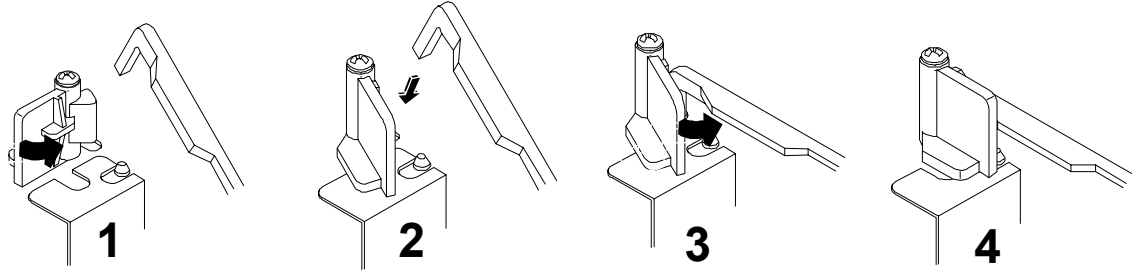
To replace a PCI card, perform the following steps:

- Step 1.** Insert the card into the appropriate slot. See Figure 7-26 on page 166
- Step 2.** Turn the PCI/PCI-X card latch on the chassis to ~ 45 degrees CCW to allow closing of the manual retention latch (MRL).
- Step 3.** Push down on the MRL until stops against the chassis wall.
- Step 4.** Turn the PCI/PCI-X card latch on the chassis another 45 degrees CCW to lock the PCI/PCI-X card into position.
- Step 5.** If the PCI/PCI-X card is full size, close the slider gate bracket to secure the card. See Figure 7-26 on page 166.
- Step 6.** Reconnect all internal and external cables to the PCI/PCI-X card.
- Step 7.** Replace the top cover.
- Step 8.** Slide the HP Server all the way back into the rack until it stops.
- Step 9.** Turn on power by plugging in AC power cords to power supply unit(s).

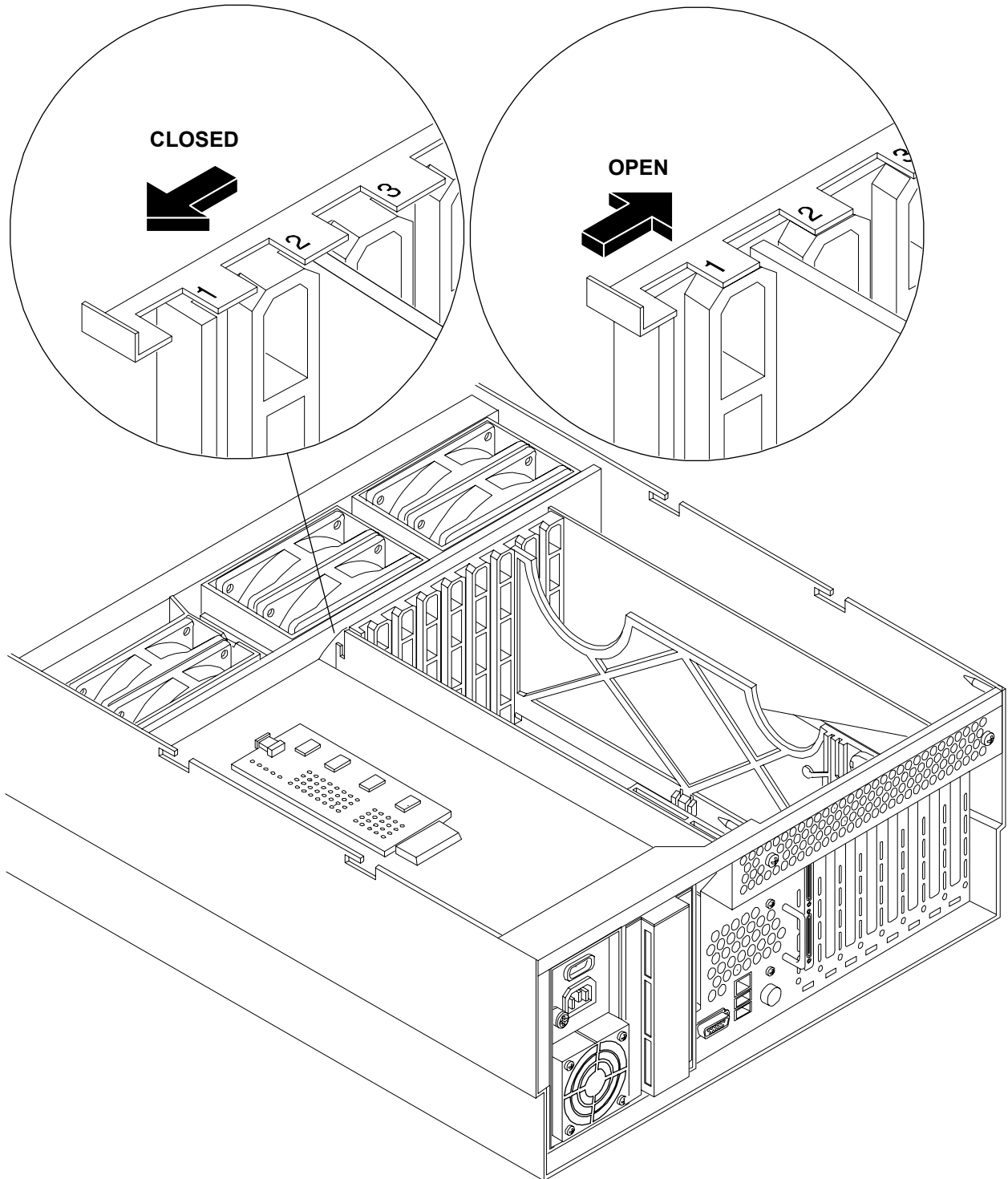
**Figure 7-26** PCI/PCI-X Card Installation



**Figure 7-27 PCI-X Card Latch Closing Sequence**



**Figure 7-28** Slider Gate Bracket





---

## OLX Dividers

OLX dividers are located on the I/O baseboard, between the PCI cards. Six OLX dividers provide short circuit protection to the hot-plug PCI accessory boards by preventing inadvertent contact between boards during the replacement or addition of a board.

Additionally, each OLX divider has two light pipes that transfer illumination from one green power LED and one amber attention LED, mounted on the I/O board, to the top of the divider. The light pipes allow the LED status to be easily viewed when the top cover is removed.

---

**WARNING**    **Ensure that the system is powered down and all power sources have been disconnected from the server prior to removing or replacing a PCI card divider.**

**Voltages are present at various locations within the server whenever an AC power source is connected. This voltage is present even when the main power switch is in the off position.**

**Failure to observe this warning could result in personal injury or damage to equipment.**

---

---

**CAUTION** Observe all ESD safety precautions before attempting this procedure. Failure to follow ESD safety precautions could result in damage to the server.

---

**Figure 7-29** OLX Divider Removal and Replacement

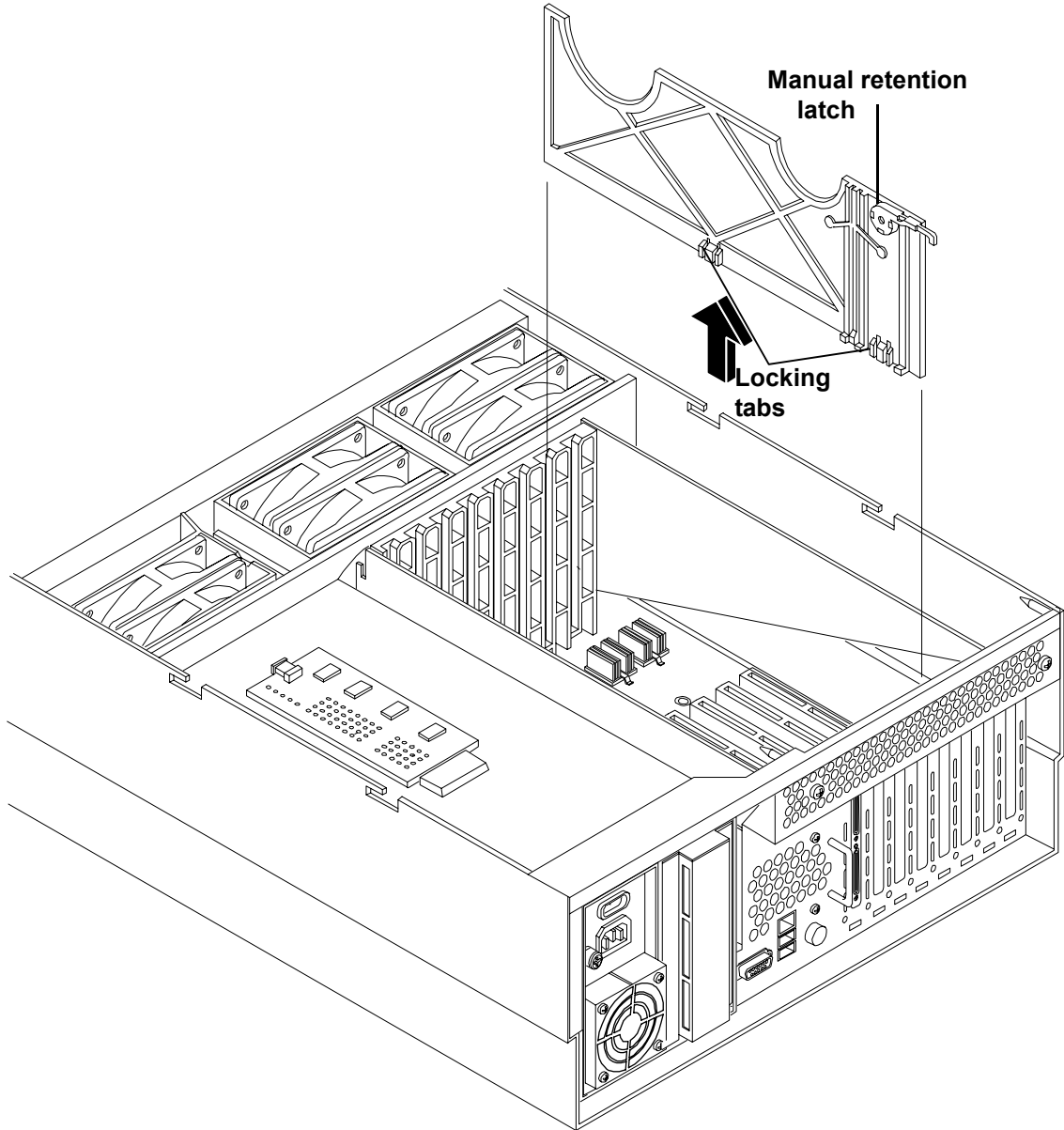
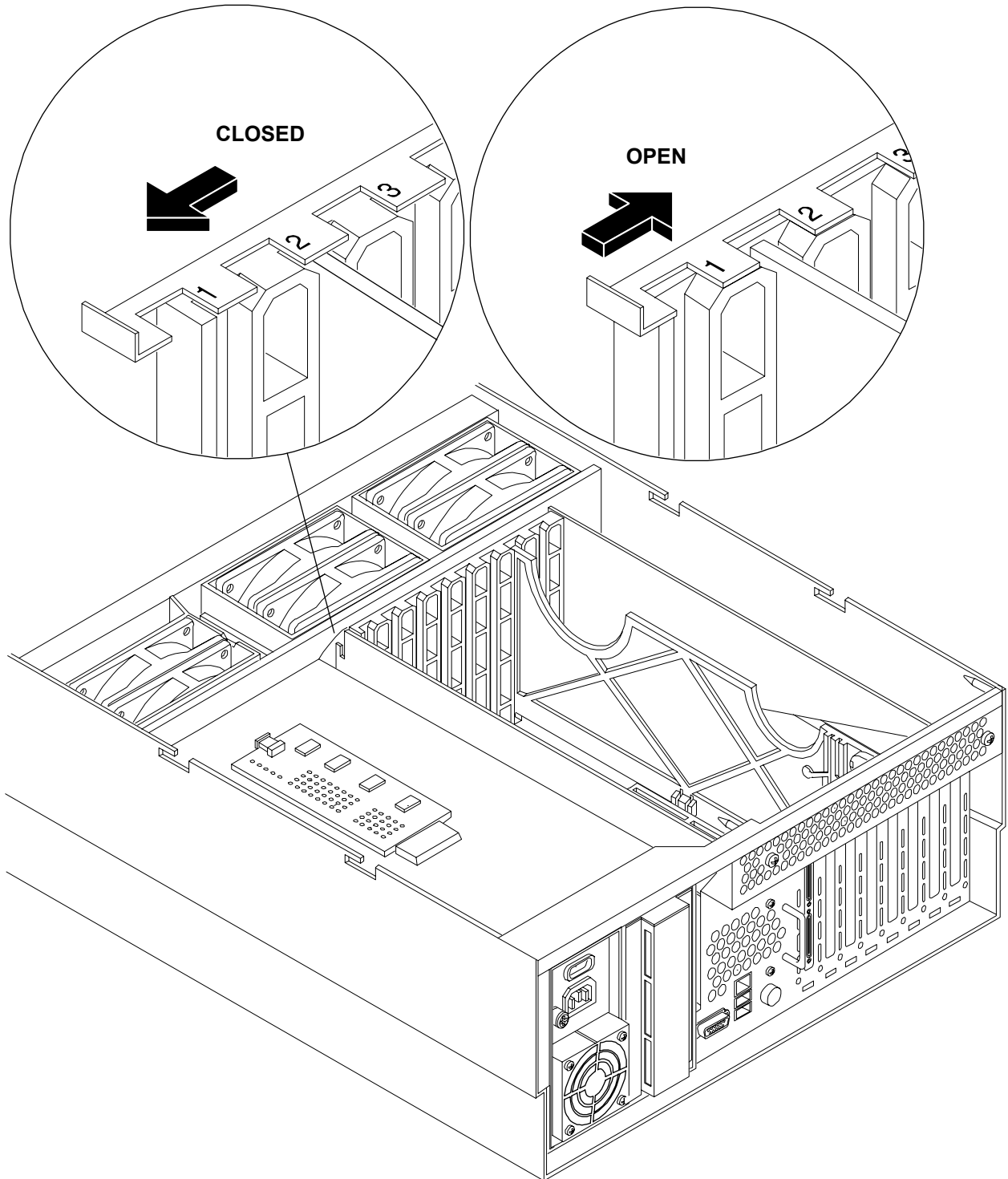


Figure 7-30 OLX Slider Gate Bracket



## Removing an OLX Divider

To remove an OLX divider, perform the following steps:

---

**NOTE** An alternative method of removing OLX dividers individually is to remove all OLX dividers at once by removing the rack they are mounted in from the I/O baseboard, then removing or replacing the individual OLX divider, and then replacing the rack back on the I/O baseboard. The OLX divider rack is attached to the I/O baseboard with 4 Torx T15 fasteners.

---

- Step 1.** If rack mounted, slide the HP Server out from the rack until it stops. See “Accessing a Rack Mounted Server” on page 121.
- Step 2.** Remove the front bezel. See “Front Bezel” on page 124.
- Step 3.** Remove the top cover. See “Front and Top Covers” on page 126.
- Step 4.** Pull up on the manual retention latch to unlock it from the chassis wall. See Figure 7-29, “OLX Divider Removal and Replacement.”
- Step 5.** Slide open the latch on the slider gate bracket to unlock the rear edge of the PCI divider. See Figure 7-30, “OLX Slider Gate Bracket.”
- Step 6.** At this point, if you are removing the entire OLX divider rack, remove the 4 T15 fasteners attaching the rack to the I/O baseboard.
- Step 7.** Using your fingers, push the two tabs that attach the OLX divider to the I/O baseboard and pull the OLX divider up sharply to disengage it from the I/O baseboard.

---

**CAUTION** When extracting the OLX divider, ensure that you release the locking tabs completely or you may damage them. If you damage the tabs, the OLX divider will not seat properly when you reinsert it,

---

## Replacing an OLX Divider

To replace an OLX divider, perform the following steps:

- Step 1.** Insert the OLX divider into the available slots on the I/O baseboard and push down firmly to seat it into the slots.
- Step 2.** At this point, if you are replacing the entire OLX divider rack on to the I/O baseboard, replace the 4 Torx T15 fasteners.
- Step 3.** Slide the latch on the slider gate bracket closed, to lock the rear edge of the PCI divider.
- Step 4.** Push down on the manual retention latch until it locks into the chassis wall.
- Step 5.** Replace the top cover.
- Step 6.** Replace the front bezel.
- Step 7.** If rack mounted, slide the HP Server into the rack until it stops.

## Voltage Regulator Modules (VRM)

The server contains 3 VRMs that are located on I/O baseboard. Each is labeled with one of the following voltages:

- 3.3 Volts
- 5.0 Volts
- 12.0 Volts

---

**CAUTION** VRMs must be inserted into the slot with the corresponding voltage. Ensure VRMs are located in the proper slot by checking the voltage label on the I/O baseboard. See Figure 7-31, “VRM Board Remove and Replace.”

---

---

**WARNING** **Ensure that the system is powered down and all power sources have been disconnected from the server prior to removing or replacing a VRM.**

**Voltages are present at various locations within the server whenever an AC power source is connected. This voltage is present even when the main power switch is in the off position.**

**Failure to observe this warning could result in personal injury or damage to equipment.**

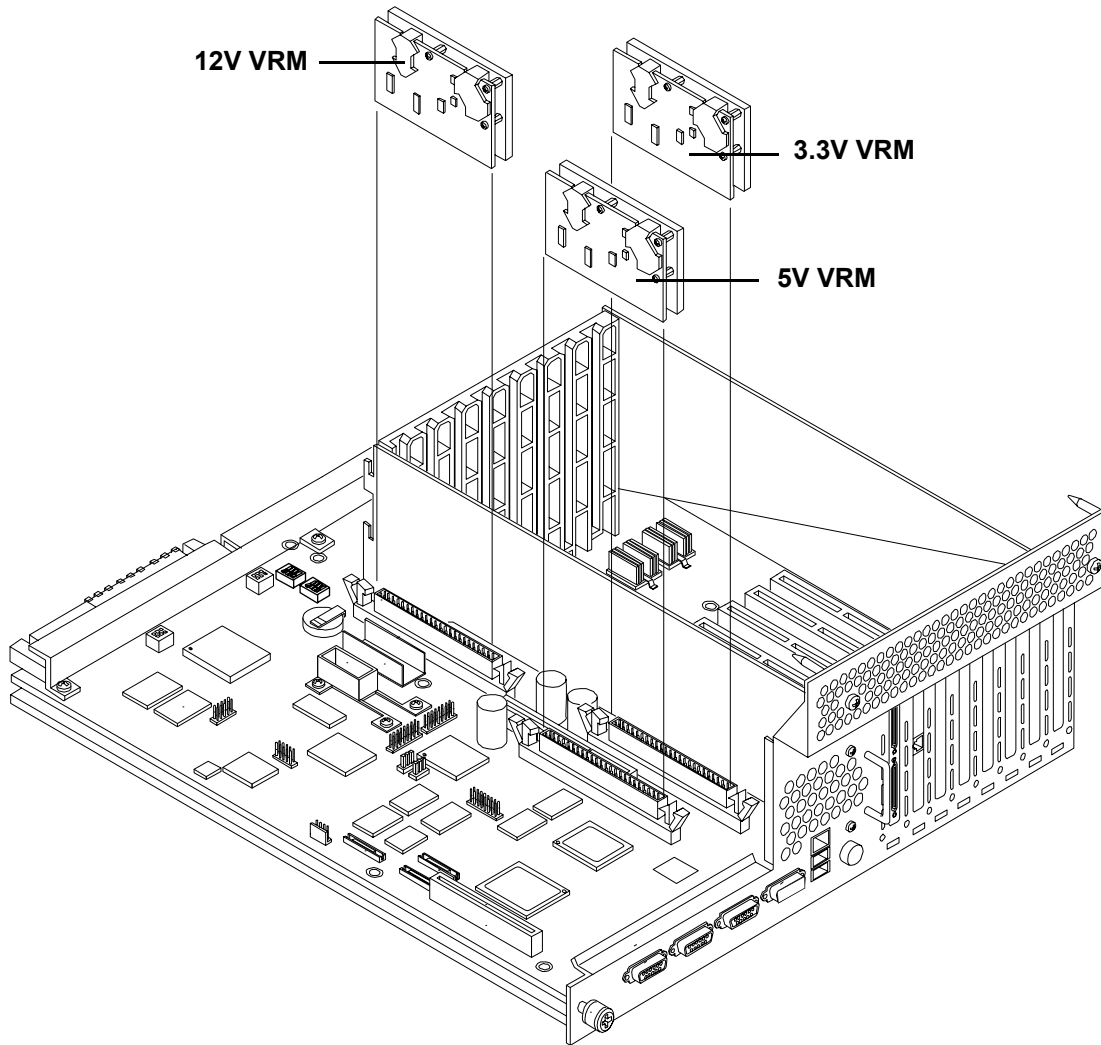
---

---

**CAUTION** Observe all ESD safety precautions before attempting this procedure. Failure to follow ESD safety precautions could result in damage to the server.

---

**Figure 7-31** VRM Board Remove and Replace



### Removing a Voltage Regulator Module (VRM)

To remove a VRM from the server, perform the following steps:

- Step 1.** Remove the I/O baseboard from the chassis. See “I/O Baseboard Assembly” on page 154.
- Step 2.** Push out the locking tabs at the end of the VRM slot to release it, then pull the VRM straight out of the I/O baseboard.

## Replacing a Voltage Regulator Module (VRM)

To replace a VRM, perform the following steps:

- Step 1.** Push the VRM straight into the slot until it stops, then push in the two locking tabs on either side of the slot to lock the VRM into position.

---

**CAUTION** Ensure that the VRM and slot voltages match up and also check that the heatsink on the VRM faces the PCI card rack after installation. If the VRM is inserted backwards the system will halt during the boot process.

---

- Step 2.** Replace the I/O baseboard in the chassis.

## Hot-Plug Disk Drives

The two hot-plug disk drives are located in the front of the hp 9000 rp4440 Server.

---

**CAUTION** A hot-plug device may require interaction with the operating system before the device can be safely removed from or installed into the server. Verify that the operating system supports removing/replacing disk drives while the operating system is running. If the operating system does not support this feature, shut down the operating system before attempting this procedure. Failure to observe this caution will result in system failure.

---

---

**NOTE** The replacement disk drive must be the same product ID as the disk drive that is being replaced.

HP often uses different manufacturers for disks that have the same product number. The replacement disk drive will have the same capacity and block size as the defective disk because they have the same product number.

---

### Removing a Hot-Plug Disk Drive

To remove a hot-plug disk drive, perform the following steps:

---

**NOTE** For cooling purposes, always leave the volume filler in slot 2 if you do not use a second disk drive.

---

**Step 1.** Grasp the tab at the bottom of the latch on the selected disk drive.

**Step 2.** Push the button inside the latch and pull the latch out and up; the disk will unlock.

**Step 3.** Pull gently until the hot-plug disk drive slides out of the chassis.

### Replacing a Hot-Plug Disk Drive

One additional hot-plug disk drive may be added to your HP Server in slot 2. Always use low profile disk drives (1.0" height) in your hp 9000 rp4440 Server. See Figure 7-32, "Disk Drive Installation in Slots 1 and 2."

To install a hot-plug disk drive, perform the following steps:

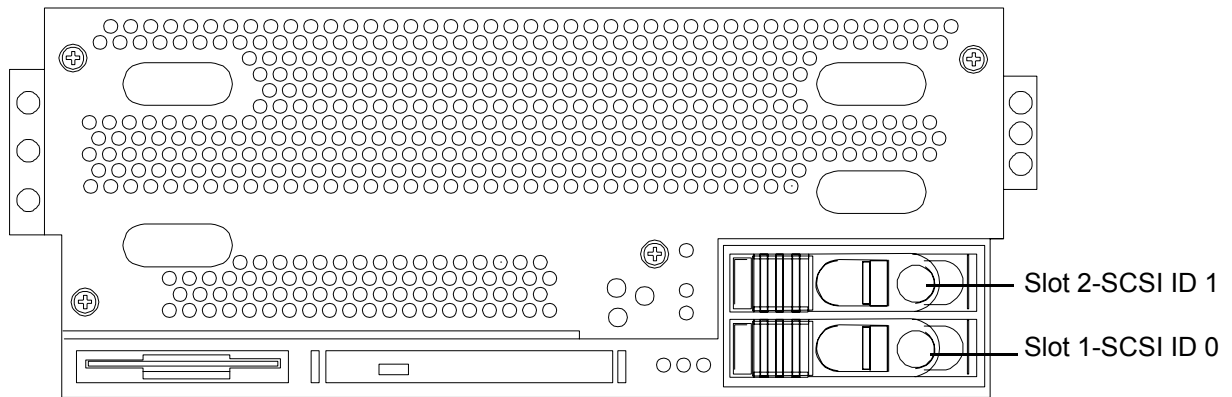
**Step 1.** Slide the hot-plug hard disk into slot 1 until it is seated.

**Step 2.** Close the drive-ejector handle by pushing it down until it clicks.

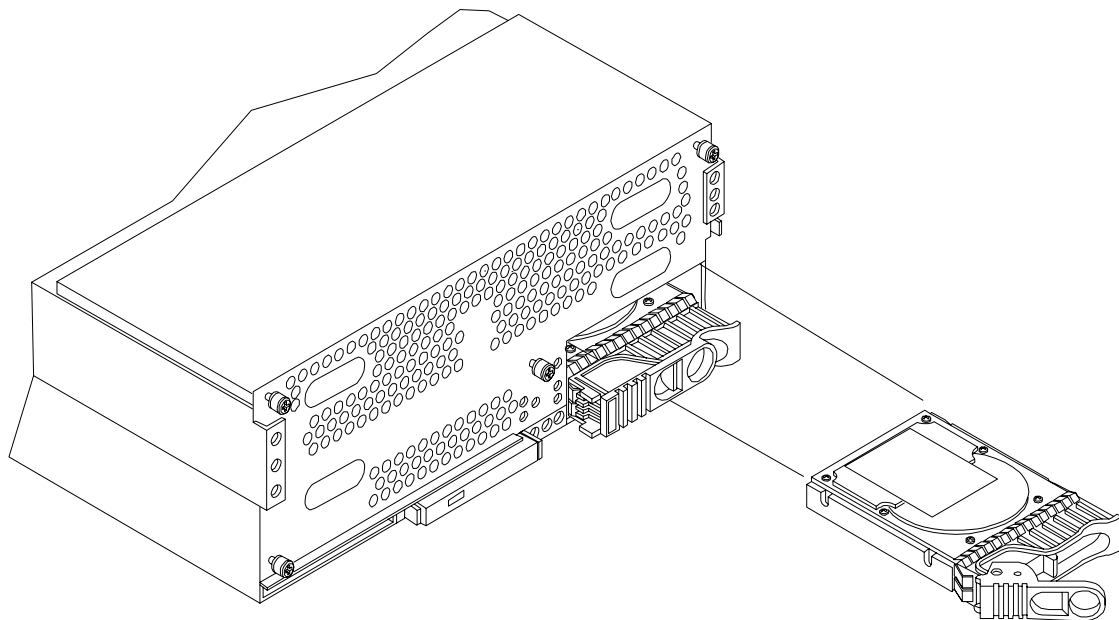
**Step 3.** The hot-plug disk drive is now correctly installed.



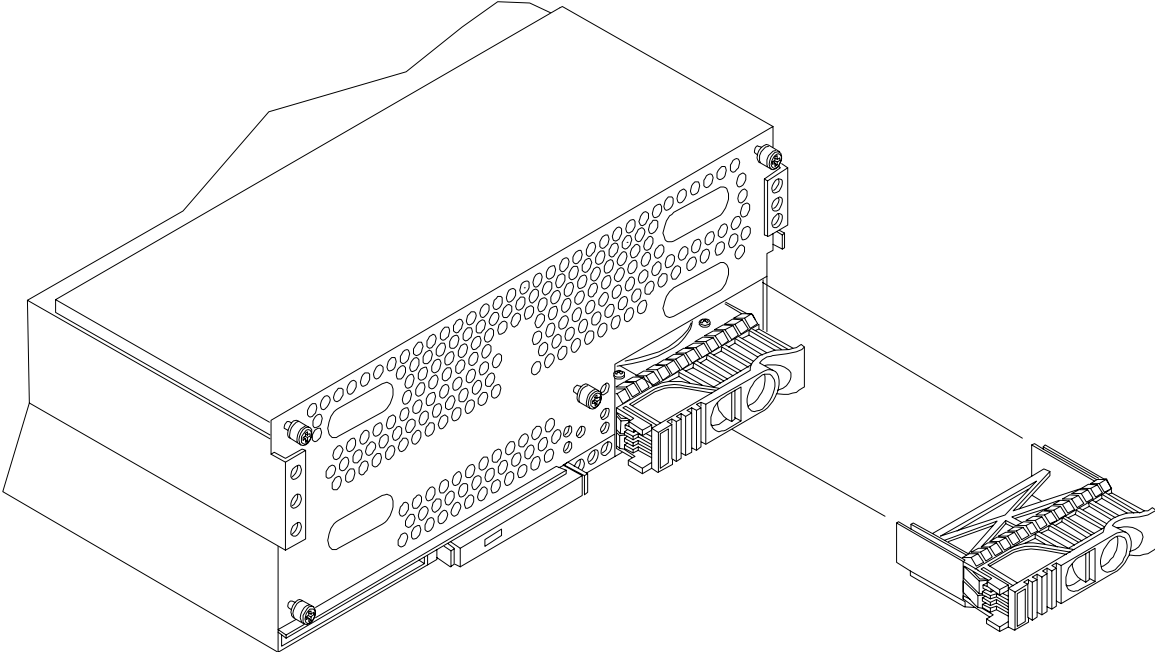
**Figure 7-32** Disk Drive Installation in Slots 1 and 2



**Figure 7-33** Disk Drive Installation in Slot 2



**Figure 7-34** Volume Filler Installation in Slot 2



---

## SCSI Backplane Board

The SCSI backplane board is attached to the rear of the disk media housing at the front, right side of the chassis.

---

**WARNING**    **Ensure that the system is powered down and all power sources have been disconnected from the server prior to removing or replacing the SCSI backplane.**

**Voltages are present at various locations within the server whenever an AC power source is connected. This voltage is present even when the main power switch is in the off position.**

**Failure to observe this warning could result in personal injury or damage to equipment.**

---

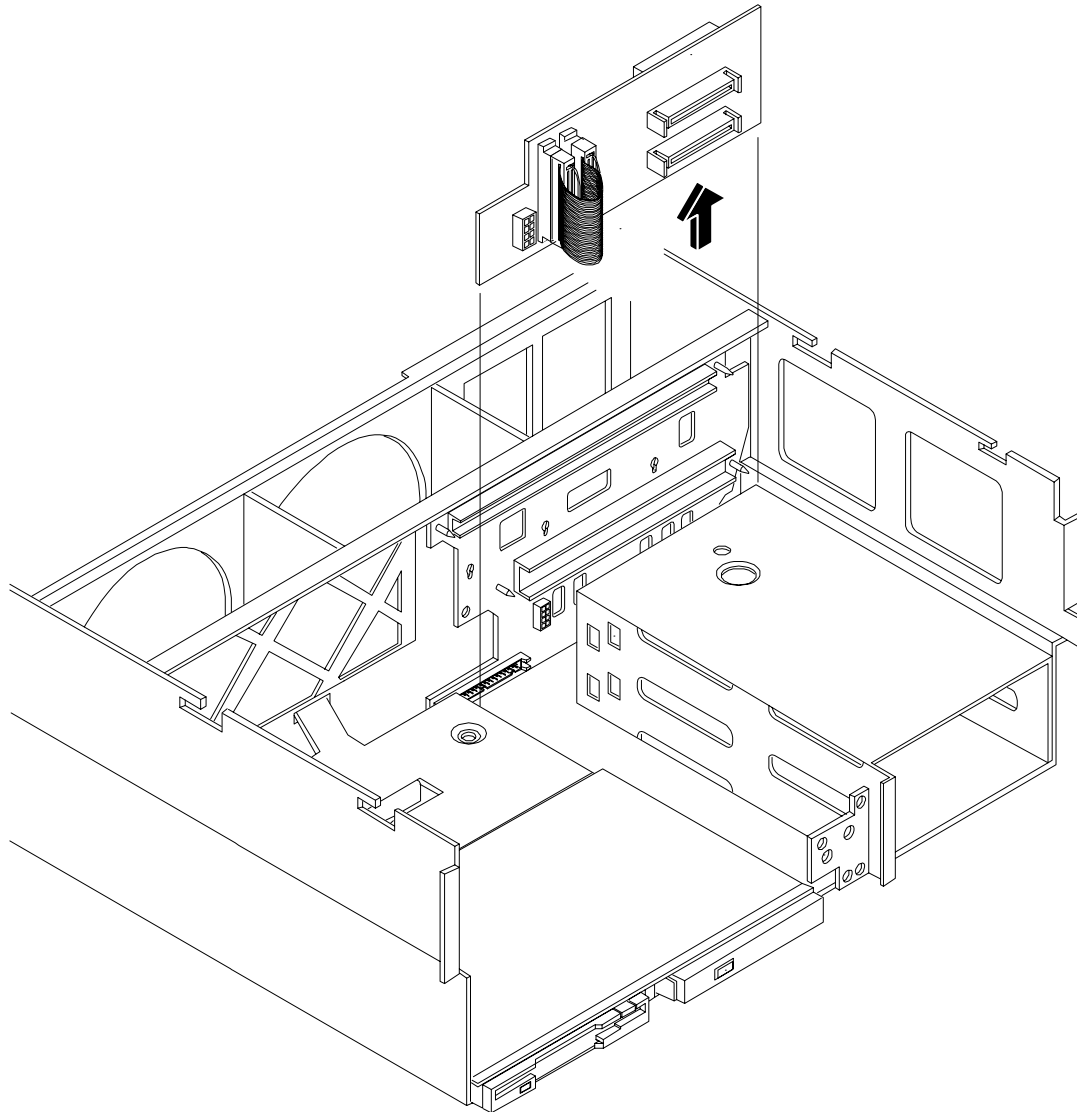
---

**CAUTION**    Failure to properly complete the steps in this procedure will result in erratic system behavior or system failure. For assistance with this procedure contact your local HP Authorized Service Provider.

Observe all ESD safety precautions before attempting this procedure. Failure to follow ESD safety precautions could result in damage to the server.

---

**Figure 7-35** SCSI Backplane Removal and Replacement



## Removing the SCSI Backplane

To remove the SCSI backplane, perform the following steps:

- Step 1.** If rack mounted, slide the HP Server out from the rack until it stops. See “Accessing a Rack Mounted Server” on page 121.
- Step 2.** Remove the front bezel. See “Front Bezel” on page 124.
- Step 3.** Remove the front cover. See “Front and Top Covers” on page 126.
- Step 4.** Remove the memory extender board. See “Memory Extender Board” on page 132.
- Step 5.** Remove the processor extender board. See “Processor Extender Board” on page 140.
- Step 6.** Remove the two hot-plug disk drives. See “Hot-Plug Disk Drives” on page 176.

- Step 7.** Unplug the internal SCSI cable(s) from the SCSI backplane board.
- Step 8.** Unplug the SCSI backplane-to-midplane riser cable from the SCSI backplane.
- Step 9.** Using your finger, turn the swivel latch on top of the hot-plug hard disk drive cage to unlatch the SCSI backplane board from the hard disk cage.
- Step 10.** Grasp the top edge of the SCSI backplane board and pull up until it releases from the keyway slots on the back of the hot-plug disk drive cage.
- Step 11.** Push the SCSI backplane board away from the disk drive cage and lift it up and out of the chassis.

## Replacing the SCSI Backplane

To replace the SCSI backplane, perform the following steps:

- Step 1.** Replace the SCSI backplane to the rear of the disk drive cage.
- Step 2.** Replace the two hot-plug disk drives into the disk drive cage.
- Step 3.** Re-plug the SCSI backplane-to-midplane cable back into the SCSI backplane.
- Step 4.** Re-plug the internal SCSI cable into the SCSI back plane.
- Step 5.** Replace the processor extender board.
- Step 6.** Replace the memory extender board.
- Step 7.** Replace the front cover.
- Step 8.** Replace the front bezel.
- Step 9.** If rack mounted, slide the HP Server back into the rack until it stops.

## Midplane Riser Board

The midplane riser board is attached to the main bulkhead in the center of the chassis.

---

**WARNING** Ensure that the system is powered down and all power sources have been disconnected from the server prior to removing or replacing the midplane riser backplane.

**Voltages are present at various locations within the server whenever an AC power source is connected. This voltage is present even when the main power switch is in the off position.**

**Failure to observe this warning could result in personal injury or damage to equipment.**

---

**CAUTION** Failure to properly complete the steps in this procedure will result in erratic system behavior or system failure. For assistance with this procedure contact your local HP Authorized Service Provider.

Observe all ESD safety precautions before attempting this procedure. Failure to follow ESD safety precautions could result in damage to the server.

---

## Removing the Midplane Riser Board

To remove the midplane riser board, perform the following steps:

- Step 1.** If rack mounted, slide the HP Server out from the rack until it stops. See “Accessing a Rack Mounted Server” on page 121.
- Step 2.** Remove the front bezel. See “Front Bezel” on page 124.
- Step 3.** Remove the front and top covers. See “Front and Top Covers” on page 126.
- Step 4.** Remove the memory extender board. See “Memory Extender Board” on page 132.
- Step 5.** Remove the processor extender board. See “Processor Extender Board” on page 140.
- Step 6.** Remove the 3 chassis hot-swap fan units. See “Hot-Swap Chassis Fan Unit” on page 150.
- Step 7.** Remove the I/O baseboard assembly. See “I/O Baseboard Assembly” on page 154.
- Step 8.** Remove the SCSI backplane board. See “SCSI Backplane Board” on page 179.
- Step 9.** Unplug the power distribution board power cable and signal cable from the midplane riser board.
- Step 10.** Unplug the DVD relay board and front panel display board cable from the midplane riser board.
- Step 11.** Unplug the QuickFind diagnostic board cable from the midplane riser board.

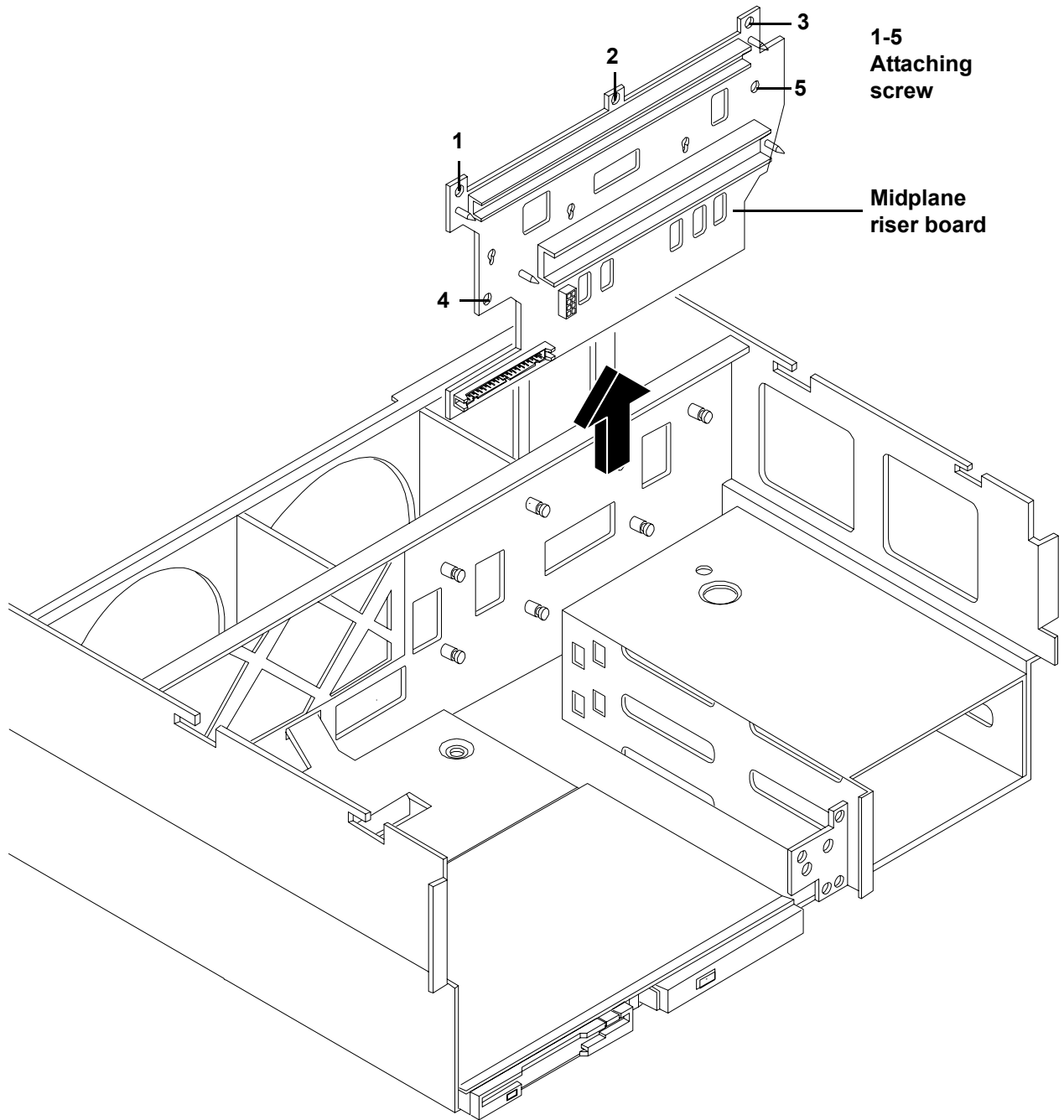
---

**NOTE** At this point, all cables and connectors should be unplugged from the midplane riser board.

---

- Step 12.** Using a Torx #15 driver, remove the five Torx screws attaching the midplane riser board to the chassis.
- Step 13.** Grasp the top edge of the midplane riser board and lift straight up to release it from the keyway slots on the chassis. Then pull straight out and up to remove the midplane riser board from the chassis.

**Figure 7-36** Midplane Riser Board





## Replacing the Midplane Riser Board

To replace the midplane riser board, perform the following steps:

- Step 1.** Replace the midplane riser board onto the keyway slots on the chassis wall. Then push straight down until it seats onto the locking studs.
- Step 2.** Using a Torx #15 driver, replace and tighten the 5 Torx screws attaching the midplane riser board to the chassis.
- Step 3.** Plug in the QuickFind diagnostic board cable to the midplane riser board.
- Step 4.** Plug in the DVD relay board and front panel display board cable to the midplane riser board.
- Step 5.** Plug in the power distribution board power cable and signal cable to the midplane riser board.
- Step 6.** Replace the SCSI backplane board.
- Step 7.** Replace the I/O baseboard assembly.
- Step 8.** Replace the three chassis hot-swap fan units.
- Step 9.** Replace the processor extender board.
- Step 10.** Replace the memory extender board.
- Step 11.** Replace the front and top covers.
- Step 12.** Replace the front bezel.
- Step 13.** If rack mounted, slide the HP Server back into the rack until it stops.

## Hot-Swap Power Supplies

The hp 9000 rp4440 Server has two hot-swap power supply units (PSU). These PSUs are located at the rear of the HP Server. The supported configuration of the HP Server requires a minimum of one PSU be installed.

---

**CAUTION** Observe all ESD safety precautions before attempting this procedure. Failure to follow ESD safety precautions could result in damage to the server.

---

---

**NOTE** A hot-swap device does not require interaction with the operating system before the device is removed from or installed into the server.

The AC power to the server does not have to be off to remove or replace a hot-swap power supply.

---

## Power Supply Load Order

The supported configuration of your hp 9000 rp4440 Server requires a minimum of one PSU. A second, optional hot-swap PSU, may be installed to provide N+1 capability. Each hot-swap requires a separate power cord.

The left side (viewing from the rear) hot-swap PSU is identified as P 0, the second hot-swap power supply is identified as P 1. Each hot-swap PSU requires a separate power cord be installed in the appropriate power cord receptacle and attached to a power cord support bracket.

---

**CAUTION** The empty hot-swap PSU slot P 1 must remain closed with the supplied metal cover when a second PSU is not used. Your server may be damaged due to overheating if the cover does not remain in place.

---

---

**WARNING** **Be careful when installing a hot-swap power supply. It is heavier than it appears.**

---

---

**CAUTION** If the system is powered down, install the hot-swap PSU into the server before attaching the new power cord at the rear of the system. Failure to observe this caution will result in damage to the server.

---

## Removing a Hot-Swap Power Supply

To remove a hot-swap PSU, perform the following steps:

---

**CAUTION** Be careful when removing the hot-swap power supply. It is heavier than it appears.

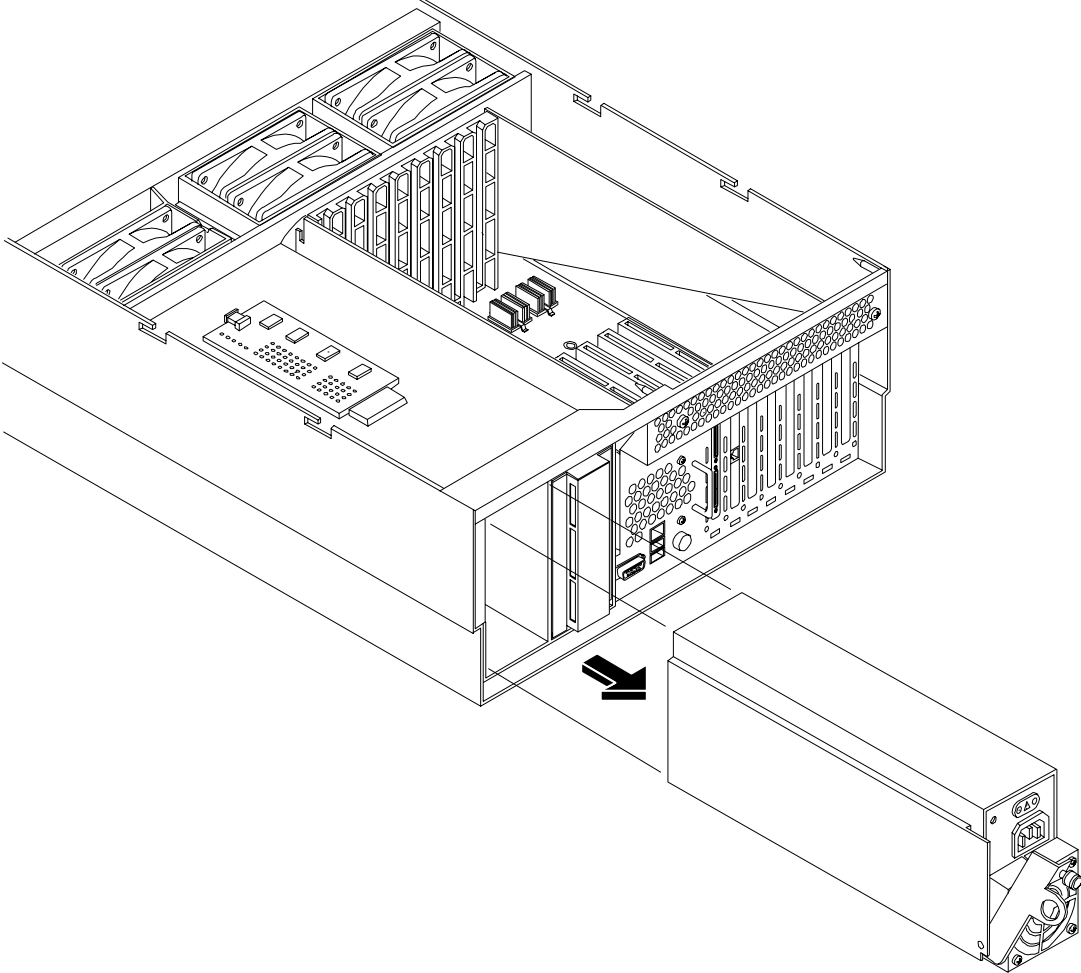
---

- Step 1.** If rack mounted, slide the HP Server back out of the rack until it stops. See “Accessing a Rack Mounted Server” on page 121.
- Step 2.** Remove the cable management arm from the rackslide nearest the PSUs. The cable management arm does not have to be completely removed but moved just enough to allow access to the PSUs.
- Step 3.** Remove the power cord plug from the power receptacle.
- Step 4.** Loosen the captive thumbscrew located at the top left of the PSU.
- Step 5.** Grasp the handle and pull the PSU out of the server.

## Replacing a Hot-Swap Power Supply

- Step 1.** Supporting the PSU with both hands, slide it into the empty slot until it plugs into the socket on the internal power distribution board. Tighten the thumbscrew hand-tight.
- Step 2.** Install the power cord into the PSU socket.
- Step 3.** Apply power to the new PSU and the LED should immediately turn on.
- Step 4.** If rack mounted, slide the HP Server back into the rack until it stops.

**Figure 7-37** Hot-Swap Power Supply Removal and Replacement



---

## Power Distribution Board

The power distribution board is attached to the rear power supply cage, underneath the hot-swap power supply fan unit.

---

**WARNING** Ensure that the system is powered down and all power sources have been disconnected from the server prior to removing or replacing the power distribution board.

**Voltages are present at various locations within the server whenever an AC power source is connected. This voltage is present even when the main power switch is in the off position.**

**Failure to observe this warning could result in personal injury or damage to equipment.**

---

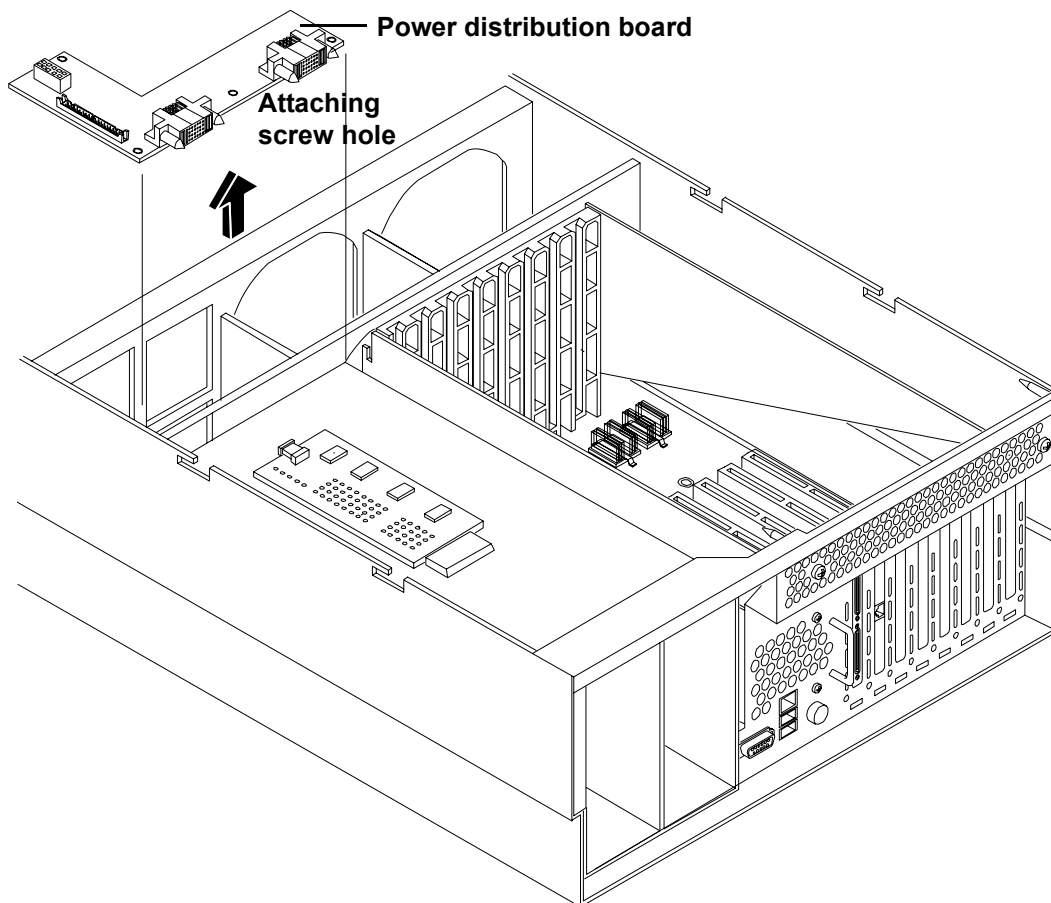
---

**CAUTION** Failure to properly complete the steps in this procedure will result in erratic system behavior or system failure. For assistance with this procedure contact your local HP Authorized Service Provider.

Observe all ESD safety precautions before attempting this procedure. Failure to follow ESD safety precautions could result in damage to the server.

---

**Figure 7-38 Power Distribution Board Removal and Replacement**



## Removing the Power Distribution Board

To remove the power distribution board, perform the following steps:

- Step 1.** If rack mounted, slide the HP Server out from the rack until it stops. See “Accessing a Rack Mounted Server” on page 121.
- Step 2.** Remove the top cover. See “Front and Top Covers” on page 126.
- Step 3.** Remove the power supply fan unit from the chassis. See “Hot-Swap Chassis Fan Unit” on page 150.
- Step 4.** Remove the hot-swap power supply(s) from the chassis. See “Hot-Swap Power Supplies” on page 186.
- Step 5.** Unplug the power cable and the signal cable from the midplane riser board.
- Step 6.** Using a Torx #15 driver, loosen the one Torx screw attaching the power distribution board to the chassis.
- Step 7.** Push the power distribution board towards the center of the chassis to release it from the keyway slots. Pull it off the keyway slots and up and out of the chassis.

## Replacing the Power Distribution Board

To replace the power distribution board, perform the following steps:

- Step 1.** Replace the power distribution board over the keyway slots and push it towards the side of the chassis to lock it onto the studs.
- Step 2.** Reattach the power distribution board to the chassis bulkhead by replacing the one Torx #15 screw. Tighten hand-tight.
- Step 3.** Replug the power and signal cables back into the midplane riser board.
- Step 4.** Replace the hot-swap power supply(s) into the chassis.
- Step 5.** Replace the power supply fan unit into the chassis.
- Step 6.** Replace the top cover.
- Step 7.** If rack mounted, slide the HP Server back into the rack until it stops.

---

## DVD Drive

The DVD drive is located on the front of the HP Server.

---

**WARNING** Ensure that the system is powered down and all power sources have been disconnected from the server prior to removing or replacing a DVD drive.

**Voltages are present at various locations within the server whenever an AC power source is connected. This voltage is present even when the main power switch is in the off position.**

**Failure to observe this warning could result in personal injury or damage to equipment.**

---

---

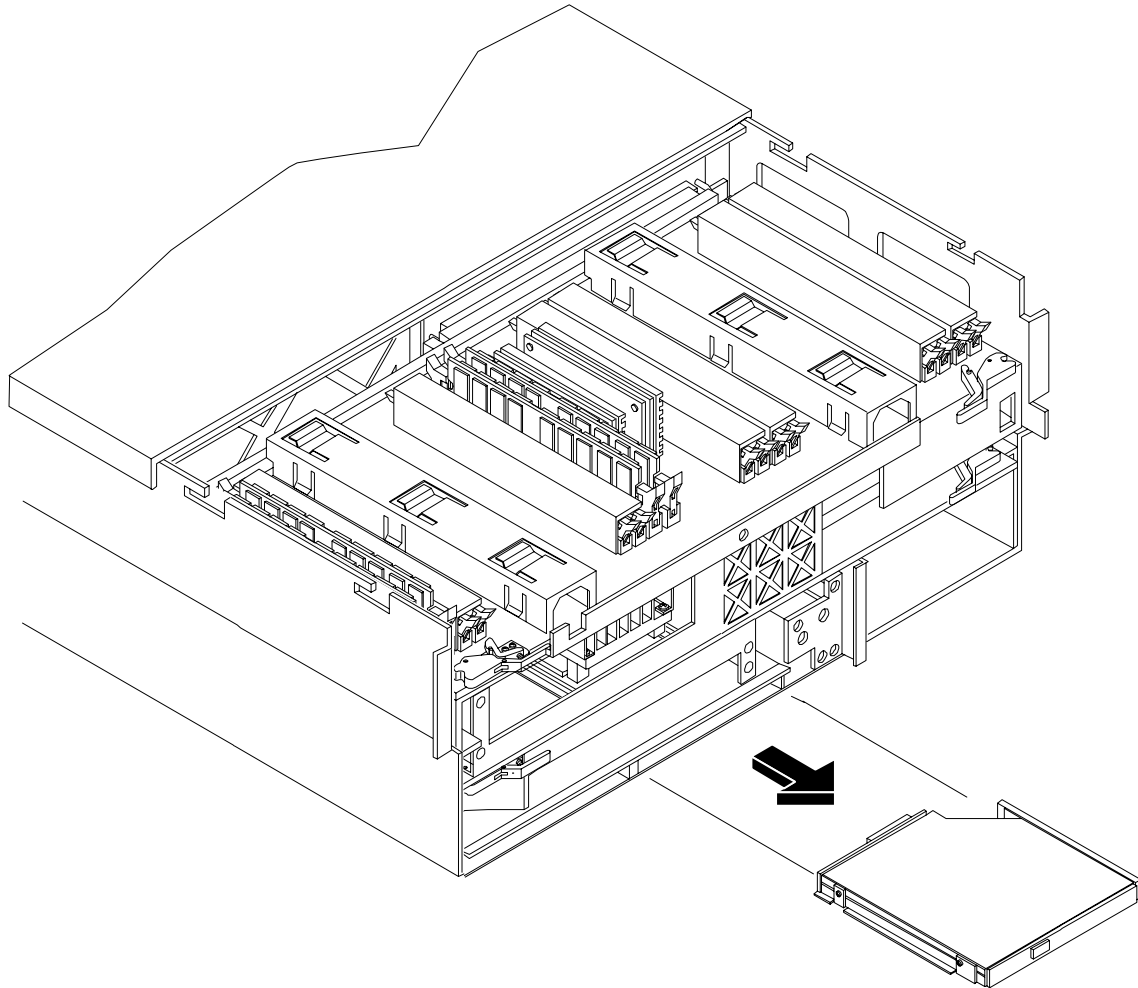
**CAUTION** Failure to properly complete the steps in this procedure will result in erratic system behavior or system failure. For assistance with this procedure contact your local HP Authorized Service Provider.

Observe all ESD safety precautions before attempting this procedure. Failure to follow ESD safety precautions could result in damage to the server.

---



**Figure 7-39 DVD Drive Removal and Replacement**



### Removing a DVD Drive

To remove a DVD drive, perform the following steps:

- Step 1.** Grasp the front of the DVD drive and squeeze in on the locking tab to release the drive.
- Step 2.** Remove the front bezel. See “Front Bezel” on page 124.
- Step 3.** Pull the drive straight out to remove it from the chassis.

### Replacing a DVD Drive

To replace a DVD drive, perform the following steps:

- Step 1.** Grasp the front of the DVD drive and squeeze in on the locking tab to release the drive.
- Step 2.** Push the drive straight into the drive bay until the locking tab clicks into place.
- Step 3.** Replace the front bezel.

---

## DVD I/O Board

The DVD I/O board is located under a metal cover that is directly under DVD location at the front left of the chassis.

---

**WARNING**    **Ensure that the system is powered down and all power sources have been disconnected from the server prior to removing or replacing a DVD I/O board.**

**Voltages are present at various locations within the server whenever an AC power source is connected. This voltage is present even when the main power switch is in the off position.**

**Failure to observe this warning could result in personal injury or damage to equipment.**

---

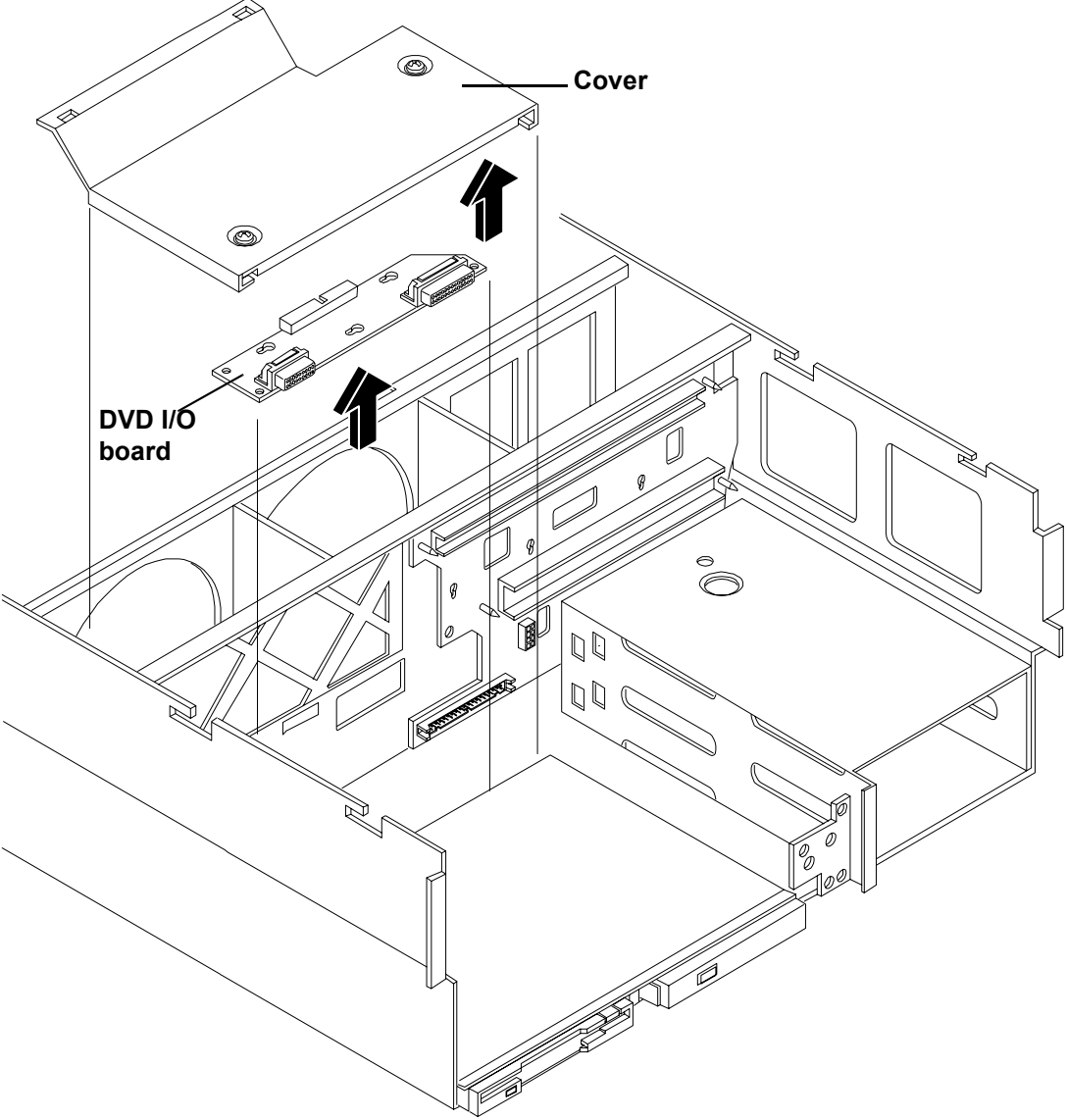
---

**CAUTION**    Failure to properly complete the steps in this procedure will result in erratic system behavior or system failure. For assistance with this procedure contact your local HP Authorized Service Provider.

Observe all ESD safety precautions before attempting this procedure. Failure to follow ESD safety precautions could result in damage to the server.

---

**Figure 7-40 DVD I/O Board Removal and Replacement**



## Removing a DVD I/O Board

To remove a DVD I/O board, perform the following steps:

- Step 1.** If rack mounted, slide the HP Server out from the rack until it stops. See “Accessing a Rack Mounted Server” on page 121.
- Step 2.** Remove the front bezel. See “Front Bezel” on page 124.
- Step 3.** Remove the front cover. See “Front and Top Covers” on page 126.
- Step 4.** Remove the memory extender board. See “Memory Extender Board” on page 132.
- Step 5.** Remove the processor extender board. See “Processor Extender Board” on page 140.
- Step 6.** Using a Torx #15 driver, remove the two Torx screws holding the DVD I/O board cover plate to the chassis and remove the cover plate.
- Step 7.** Unfasten the release clip attaching the DVD I/O board to the chassis. and remove the I/O board from the chassis.
- Step 8.** Lift out the DVD I/O board and remove the midplane riser board connector cable and remove the DVD I/O board from the chassis.

## Replacing a DVD I/O Board

To replace a DVD I/O board, perform the following steps:

- Step 1.** Replace the DVD I/O board into the chassis and plug in the midplane riser board connector cable.
- Step 2.** Replace DVD I/O board to the chassis by refastening the release clip.
- Step 3.** Replace the cover plate using the two Torx #15 screws and a Torx #15 driver.
- Step 4.** Replace the processor extender board.
- Step 5.** Replace the memory extender board.
- Step 6.** Replace the front and top covers.
- Step 7.** Replace the front bezel.
- Step 8.** If rack mounted, slide the HP Server into the rack until it stops.

---

## Display Board

The display board is located behind the control panel and under the front cover. The display board contains the server's on/off switch and three LEDs that indicate server status.

---

**WARNING**    **Ensure that the system is powered down and all power sources have been disconnected from the server prior to removing or replacing the display board.**

**Voltages are present at various locations within the server whenever an AC power source is connected. This voltage is present even when the main power switch is in the off position.**

**Failure to observe this warning could result in personal injury or damage to equipment.**

---

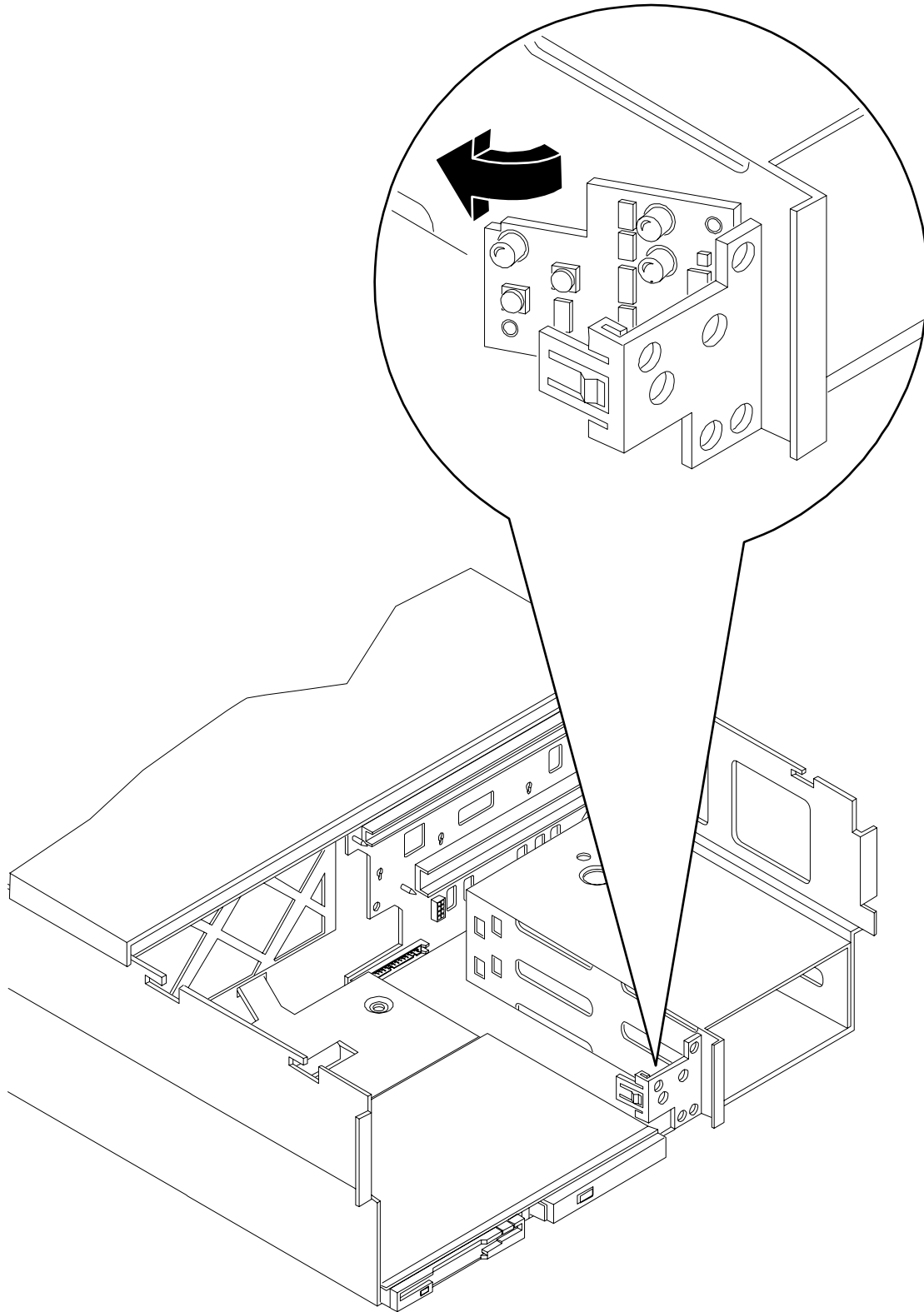
---

**CAUTION**    Failure to properly complete the steps in this procedure will result in erratic system behavior or system failure. For assistance with this procedure contact your local HP Authorized Service Provider.

Observe all ESD safety precautions before attempting this procedure. Failure to follow ESD safety precautions could result in damage to the server.

---

**Figure 7-41**      **Display Board Removal and Replacement**



## Removing the Display Board

To remove the display board, perform the following steps:

- Step 1.** If rack mounted, slide the HP Server out from the rack until it stops. See “Accessing a Rack Mounted Server” on page 121.
- Step 2.** Remove the front bezel. See “Front Bezel” on page 124.
- Step 3.** Remove the front cover. See “Front and Top Covers” on page 126.
- Step 4.** Using your finger, slightly pull out the retaining tab on the chassis that holds the display board in position.
- Step 5.** Gently unplug the midplane riser board connector cable from the display board and remove the board from the chassis.

## Replacing the Display Board

To replace the display board, perform the following steps:

- Step 1.** Gently plug in the midplane riser board cable into the display board.
- Step 2.** Hold the display board in position near the chassis and rotate it into the retaining clip until it clicks into place.
- Step 3.** Replace the front cover.
- Step 4.** Replace the front bezel.
- Step 5.** If rack mounted, slide the HP Server into the rack until it stops.

## QuickFind Diagnostic Board

The QuickFind diagnostic board is located on top of the power supply cage, underneath the top cover.

---

**WARNING** Ensure that the system is powered down and all power sources have been disconnected from the server prior to removing or replacing the QuickFind diagnostic board.

**Voltages are present at various locations within the server whenever an AC power source is connected. This voltage is present even when the main power switch is in the off position.**

**Failure to observe this warning could result in personal injury or damage to equipment.**

---

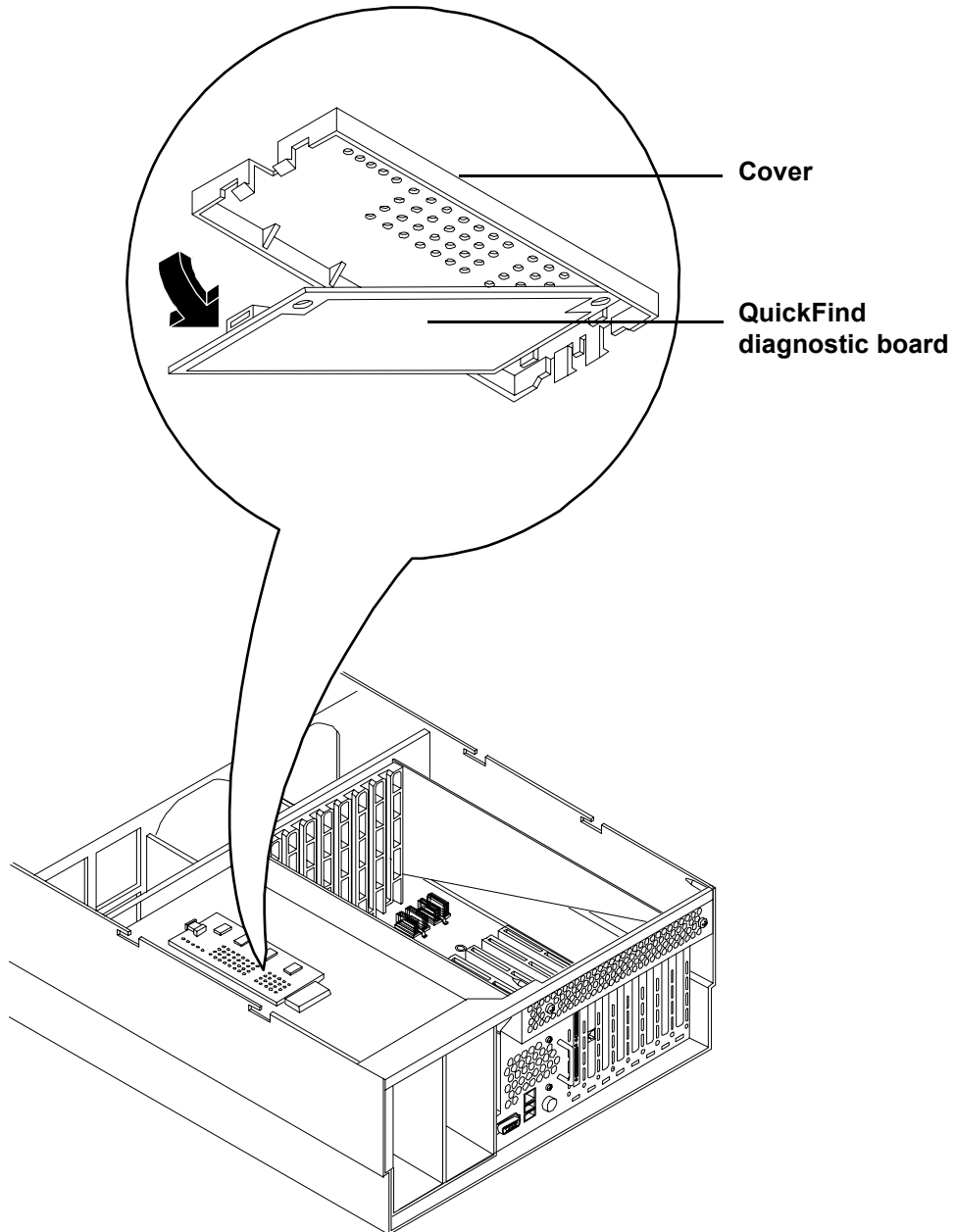
**CAUTION** Failure to properly complete the steps in this procedure will result in erratic system behavior or system failure. For assistance with this procedure contact your local HP Authorized Service Provider.

Observe all ESD safety precautions before attempting this procedure. Failure to follow ESD safety precautions could result in damage to the server.

---



**Figure 7-42 QuickFind Diagnostic Board Removal and Replacement**



## Removing the QuickFind Diagnostic Board

To remove the QuickFind diagnostic board, perform the following steps:

- Step 1.** If rack mounted, slide the HP Server out from the rack until it stops. See “Accessing a Rack Mounted Server” on page 121.
- Step 2.** Remove the top cover. See “Front and Top Covers” on page 126.
- Step 3.** Gently squeeze the cover surrounding the QuickFind diagnostic board and remove the cover/board assembly from the top of the power supply cage.
- Step 4.** Turn this assembly upside down and remove the QuickFind diagnostic board from the cover.
- Step 5.** Unplug the cable from the connector on QuickFind diagnostic board and remove the board from the chassis.

## Replacing the QuickFind Diagnostic Board

To replace the QuickFind diagnostic board, perform the following steps:

- Step 1.** Gently plug the cable into the QuickFind diagnostic board connector.
- Step 2.** Replace the QuickFind diagnostic board into the cover by snapping it into place.
- Step 3.** Turn the assembly over and snap into place on top of the power supply cage.
- Step 4.** Replace the top cover.
- Step 5.** If rack mounted, slide the HP Server into the rack until it stops.

# A Parts Information

## Field Replaceable Parts (FRU) List

The items in this list and the corresponding item numbers are the Field replaceable Units (FRUs) for the hp 9000 rp4440 Server.

**NOTE** The item numbers listed below are used with the part illustrations in order to identify the nomenclature of the part. Part numbers are found by using the part nomenclature from this list to select the correct part from the HP Partsurfer. If a system board needs to be replaced, remove processors, DIMMs, and adapter boards and transfer these to the new board. Ensure all jumper and switch settings on the old board are transferred to the new board.

**Table A-1 Field Replaceable Parts (FRU) List**

Item No.	Description	Part Number Replacement	Part Number Exchange
	<b>Cable</b>		
A6961-63006	Cable, Internal SCSI	A6961-63006	None
A6961-63005	Cable, QuickFind Diagnostic to Midplane	A6961-63005	None
A6961-63004	Cable, Power Distribution to Midplane Ribbon	A6961-63004	None
A6961-63003	Cable, Power Distribution to Midplane 10 pin	A6961-63003	None
A6961-63011	Cable, SCSI Controller Jumper (Simplex only)	A6961-63011	None
A6961-63008	Cable, SCSI Backplane to Midplane	A6961-63008	None
A6961-63002	Cable, Display to IDE to Midplane	A6961-63002	None
	<b>PCA Boards</b>		
A6961-60007	PCA, Processor Extender	A6961-67007	A6961-69007
A6961-60001	PCA, I/O baseboard (includes VRMs)	A6961-67001	A6961-69001
A6961-60004	PCA, 16 slot Memory Board	A6961-67004	A6961-69004
A7124-04001	PCA, 32 slot Memory Board	A7124-67001	A7124-69001
A6961-60005	PCA, Midplane Riser Board	A6961-67005	None
A6961-04057	PCA, SCSI Backplane/Management Assy, includes: Management board (A6961-60003) and SCSI Backplane board (A6961-60002)	A6961-67057	None
A6961-60006	PCA, SCSI Duplex Board	A6961-67006	None
A6961-60008	PCA, Front Panel Display	A6961-67008	None

**Table A-1 Field Replaceable Parts (FRU) List (Continued)**

<b>Item No.</b>	<b>Description</b>	<b>Part Number Replacement</b>	<b>Part Number Exchange</b>
A6961-60009	PCA, QuickFind Diagnostic Board (includes plastic cover and label)	A6961-67009	None
A6961-60015	PCA, Power Distribution Board	A6961-67015	None
A6961-60013	PCA, I/O Board to DVD connectivity (IDE/USB)	A6961-67013	None
1818-8797	256MB DIMM	A6967-67001	None
1818-8795	512MB DIMM	A6968-67001	None
1818-8833	1GB DIMM	A6969-67001	A6969-69001
1818-8799	2GB DIMM	A6835-67001	A6835-69001
	<b>Internal disks/removable media</b>		
A9896-64001	36GB 15K RPM SCSI Disk (A986A)	5065-5286EO	A6848--69001
A7163-04001	73GB 15K RPM SCSI Disk (A987A)	0950-4381EO	A9761-69001
A9898-64001	146GB 10K RPM SCSI Disk (A9898A)	0950-4385EO	A7080-69001
A7163-04001	DVD-R/CD-R Drive	A7163-67001	None
A7007-04001	DVD-R/CD-RW Drive	A7007-67001	None
	<b>Fans</b>		
A6961-04001	I/O Fan	A6961-04055	None
A6961-04028	Power Supply Fan	A6961-04028	None
	<b>Processor Module</b>		
A7125-04001	800 MHz PA-RISC CPU	A7125-67002	A7125-69002
A7126-04001	900 MHz PA-RISC CPU	A7126-67002	A7126-69002
	<b>Miscellaneous</b>		
0950-4428	Power Supply	A6961-67016	None
0950-4419	DC-DC Converter (VRM 3.3V)	A6961-67017	None
0950-4418	DC-DC Converter (VRM 5.0V)	A6961-67018	None
0950-4417	DC-DC Converter (VRM 12.0V)	A6961-67019	None
A6961-04047	PCI Card Divider (doorbell and latch included)	A6961-67020	None
A6961-40021	PCI Retention Clip	A6961-67021	None
1420-0386	System battery	1420-0386	None

**Table A-1      Field Replaceable Parts (FRU) List (Continued)**

Item No.	Description	Part Number Replacement	Part Number Exchange
	<b>Rack solutions</b>		
5069-3305	Rack Mount Hardware, Right (included with Left Bracket in kit)	A6977-67001	None
5069-3306	Rack Mount Hardware, Left (included with Right Bracket in kit)	A6977-67002	None
A7124-04004	Bezel-Rack Mount	A7124-67003	None
	<b>Parts shared with other products</b>		
A6825-60101	LAN Core I/O	A6825-67101	None
A6829-60101	U160 Core I/O	A6829-67001	None

Parts Information  
**Field Replaceable Parts (FRU) List**

---

# B Specifications

This appendix provides the power requirements, operating conditions (environmental requirements), physical requirements, and hardware specifications of your hp 9000 rp4440 Server. The following tables provide the specifications required for normal operation of your HP Server.

---

**NOTE** The specifications and requirements for the power supply and environment can vary if you install a mass storage device in the server that has more stringent environmental limits than required for the HP Server. Ensure that the operating environment for any mass storage devices you intend to install are compatible with the server environmental requirements.

---

---

## Hardware Specifications

**Table B-1 Hardware Specifications**

Micro-processors	PA-RISC (up to 4 processors modules):  800 MHz, 900 MHz, and 1GHz supported
Memory	Supports up to 32 Double Data Rate (DDR) registered ECC Memory, in PC2100 DIMMs. Supported DDR DIMM sizes: 128MB, 256MB, 513MB, 1GB, and 2GB. Requires DIMMs to be added in quads of equal capacity.
Video	Pinnacle FXe PCI card
SCSI	Integrated Ultra-3 SCSI dual channel controller; 80 MB/s transfer rate with two 68-pin connectors.
Integrated HP RAID Controller	Optional.
LAN	PCI Gigabit, Fast Ethernet Controller; with Wake-on-LAN enabled/disabled via BIOS setup.
PCI Slots	Four 64-bit PCI-X slots, 66MHz slots Two 64-bit PCI-X slots, 133 MHz slots.
Core I/O	Three serial ports, 2 USB ports, Integrated RJ-45 LAN .
DVD-ROM	DVD-R/CD-ROM drive; IDE interface; 48x speed.
Mass Storage	Maximum Internal Storage: Two 73MB, 15K drive.
External Storage	2 external SCSI ports
Power Supply	1+1 configuration, redundant power supply (optional).

---

## Dimensions and Weights

This section provides dimensions and weights of hp Integrity rp4440 Server components.

### Component Dimensions

**Table B-2 Server Component Dimensions**

Dimension	Value
Height	6.87" (17.46 cm)
Width	17.32" (44 cm)
Depth	27.1" (68.8 cm)
Weight	Unloaded 75 lbs (34 kg) Fully loaded <95 lbs (43 kg)





**Table C-1 System I/O Board Indicators, Connectors, and Jumpers**

LED Indicators		Connectors		Jumpers	
Ref Des	Function	Ref Des	Function	Ref Des	Function
DS0907	Slot 8 Attn	P2314	DHPC JTAFG	P5704	AC Range-Off
DS0805	Slot 8 Attn	P4506	BMC DUART	P5705	Console Mux-Off
DS0806	Slot 8 Power	P5301	12V VRM Module	P5708	Mfg/Schmoo-Off
DS1922	Slot 7 Attn	P5603	3.3V VRM Module	P8412	Manual PowerOn-Off
DS1810	Slot 7 Attn	J6607	5V VRM Module	S5102 Pos 1	VGA Enable On-rx4640 Off-rp4440
DS1808	Slot 7 Power	J6305	PDH Monitor Connector	S5102 Pos 2	N/A
DS1921	Slot 6 Attn	P5401	RiLoe Connector	S5102 Pos 3	N/A
DS1811	Slot 6 Attn	J5604	Scan Connector	S5102 Pos 4	N/A
DS1813	Slot 6 Power	P6406	BMC JTAG	S5103 Pos 1	
DS2917	Slot 5 Attn	P6407	BMC Test Header	S5103 Pos 2	
DS2807	Slot 5 Attn	J7605	MP JTAG	S5103 Pos 3	
DS2809	Slot 5 Power	P7502	12C Bus 2 Header	S5103 Pos 4	Hondo Enable Off-rx4640 On-rp4440
DS2918	Slot 4 Attn	P7503	12C Bus 1 Header		

**Table C-1 System I/O Board Indicators, Connectors, and Jumpers (Continued)**

LED Indicators		Connectors		Jumpers	
Ref Des	Function	Ref Des	Function	Ref Des	Function
DS2808	Slot 4 Attn	P8204	ACPI Events		
DS2806	Slot 4 Power	P8304	LPC Bus Header		
DS3916	Slot 3 Attn	J9503	MP Data Bus Debug Header		
DS3808	Slot 3 Attn	J98611	MP Data Bus Debug Header		
DS3809	Slot 3 Power	J9602	MP Data Bus Debug Header		
DS5501	12V Power	P9505	IPMB Bus between BMC and MP		
DS5808	3.3V Power	J9803	Core I/O Debug Connector		
DS6113	3.3VSB Power	J2001	Left Fan or Fan )		
DS5809	5V Power	J6002	Middle Fan or Fan 1		
DS5815	BMC Heartbeat	J7001	Right Fan or Fan 2		
DS5816	MP Heartbeat	J6004	Hi-Speed Backplane for Ropes		
DS8816	MP ROM Error	J7003	Hi-Speed Backplane for Ropes		
DS9906	MP Selftest	J7002	Hi-Speed Backplane for Ropes		
		J9006	Low-Speed Backplane Signals		
		J5910	Dual USB and MP LAN		
		J6921	DB-15 Analog Video		
		JD7901	DB-9 Remote/Console RS-232		
		J8906	DB-9 Auxillary RS-232		
		J9905	DB-9 Local RS-232		
		J6502	Frequency Input for Margin		



**A**

antistatic wrist strap, 121

**B**

Battery, system  
remove and replace, 130

## Booting

HP Server, 83

**C**

Chassis fan  
remove and replace, 150

## Core I/O

connections, 76

## Covers, front and top

remove and replace, 126

**D**

## Dimensions

hp Integrity rx4640, 208

## DIMMs

remove and replace, 135  
slot fillers, 136

## Disk drives, Hot-Plug

installing, 41

## Display board

remove and replace, 197

## dump capture, 18

## DVD drive

remove and replace, 192

## DVD I/O board

remove and replace, 194

**E**

Event Monitoring Service, EMS, 107

**F**

## Field Replacable Unit, FRU

list of, 203

## Front Bezel

remove and replace, 124

**G**

Gigabit Ethernet card LAN LEDs, 26

**H**

## Hot-Plug

OL-A, 56

OL-R, 56

PCI-X, 56

## Hot-Plug disk drives

LEDs, 18

remove and replace, 176

## Hot-Swap power supplies

remove and replace, 186

**I**

I/O, core, 76

## IP address

default, 79

**L**

## LEDs

Control Panel, 16

DVD, activity, 19

locations and functions, 15

Power supply status, 25

**M**

## Management processor

accessing, 77, 91

commands, 92

configuring for LAN, 79

LEDs, 25

network access, 78

terminal access to, 77

## Memory DIMMs

installing, 50

## Memory extender board

remove and replace, 132

## Midplane riser board

remove and replace, 182

**N**

NMI Button, 18

**O**

Offline Diagnostic Environment, ODE, 110

**P**

## PCI card dividers

remove and replace, 169

## PCI cards

installing, 56

## PCI-X, 56

## Pinouts

Connector, 29

LAN, 33

SCSI Port, 34

## Power Button, Main, 18

## Power distribution board

remove and replace, 189

## Power supplies

installing, 37

## Processor

installing, 44, 144

remove and replace, 144

## Processor extender board

remove and replace, 140

## Processors

installing, 45, 145, 146

load order, 44

---

# Index

## Q

- QuickFind diagnostic board
  - remove and replace, 200
- QuickFind Diagnostic Panel
  - LEDs, 20

## R

- Reflection 1, 78

## S

- SCSI
  - backplane board
    - remove and replace, 179
  - duplex, converting to, 69
  - simplex to duplex, 69
  - simplex, converting from, 69
- Service Tools, 121
- SL, 108
- Specifications
  - dimensions and weights, 208
  - Hardware, 207
- Support Tools Manager, 106
- System I/O board
  - LEDs, 22
  - remove and replace, 154

## T

- Troubleshooting
  - Online Support Tools, 106
  - system I/O board, 116

## U

- Universal Serial Bus, 30

## V

- Voltage regulator modules, VRM
  - remove and replace, 173