



System x3200 Types 4362 and 4363  
User's Guide







System x3200 Types 4362 and 4363  
User's Guide

**Note:**

Before using this information and the product it supports, read the general information in “Notices,” on page 63, and the *Warranty and Support Information* document on the IBM *System x Documentation* CD.

**Sixth Edition (December 2008)**

**© Copyright International Business Machines Corporation 2008.**

US Government Users Restricted Rights – Use, duplication or disclosure restricted by GSA ADP Schedule Contract with IBM Corp.

---

# Contents

<b>Safety</b> . . . . .	v
<b>Chapter 1. The System x3200 server</b> . . . . .	1
Related documentation . . . . .	1
Notices and statements in this document . . . . .	2
Features and specifications . . . . .	3
What your server offers . . . . .	4
Reliability, availability, and serviceability . . . . .	5
IBM Director . . . . .	6
Update <i>Xpress</i> program . . . . .	7
Server controls, LEDs, and power . . . . .	8
Front view . . . . .	8
Rear view . . . . .	10
Server power features . . . . .	11
<b>Chapter 2. Installing optional devices.</b> . . . . .	13
Server components . . . . .	13
System-board internal connectors . . . . .	14
System-board switches and jumpers . . . . .	15
System-board external connectors . . . . .	16
System-board connectors . . . . .	17
System-board LEDs . . . . .	18
Installation guidelines . . . . .	18
System reliability guidelines . . . . .	19
Working inside the server with the power on . . . . .	20
Handling static-sensitive devices . . . . .	20
Removing the side cover . . . . .	21
Removing the two-piece bezel . . . . .	22
Installing a memory module . . . . .	24
Installing a drive . . . . .	27
Installing a CD or DVD drive . . . . .	28
Installing a tape drive . . . . .	30
Installing a hot-swap SAS or hot-swap SATA hard disk drive . . . . .	31
IDs for hot-swap hard disk drives . . . . .	33
Installing a simple-swap SATA hard disk drive . . . . .	33
Power and signal cables for internal drives . . . . .	35
Installing an adapter . . . . .	36
Cabling the optional ServeRAID-8s controller . . . . .	38
Installing the simple-swap SATA cable . . . . .	38
Installing the hot-swap SAS/SATA cable . . . . .	40
Installing the SAS/SATA controller . . . . .	43
Installing a hot-swap power supply . . . . .	44
Installing a security rope clip . . . . .	46
Completing the installation. . . . .	47
Reinstalling the two-piece bezel. . . . .	47
Reinstalling the side cover. . . . .	49
Connecting the cables . . . . .	50
Updating the server configuration . . . . .	50
Connecting external devices . . . . .	51
Installing the server in a rack. . . . .	51
<b>Chapter 3. Configuring the server</b> . . . . .	53
Using the Configuration/Setup Utility program . . . . .	54

Starting the Configuration/Setup Utility program . . . . .	54
Configuration/Setup Utility menu choices . . . . .	54
Using passwords . . . . .	57
Using the ServerGuide Setup and Installation CD . . . . .	57
ServerGuide features . . . . .	58
Setup and configuration overview . . . . .	58
Typical operating system installation . . . . .	59
Installing your operating system without using ServerGuide . . . . .	59
Using the Boot Menu program . . . . .	59
Enabling the Broadcom NetXtreme Gigabit Ethernet Boot Agent . . . . .	60
Configuring the Broadcom NetXtreme Gigabit Ethernet controller . . . . .	60
LSI Configuration Utility program . . . . .	61
Starting the LSI Configuration Utility program . . . . .	62
Formatting a hard disk drive . . . . .	62
Creating a RAID array of hard disk drives . . . . .	62
<b>Appendix. Notices . . . . .</b>	<b>63</b>
Trademarks . . . . .	63
Important notes. . . . .	64
Product recycling and disposal . . . . .	65
Battery return program . . . . .	66
Electronic emission notices . . . . .	67
Federal Communications Commission (FCC) statement . . . . .	67
Industry Canada Class A emission compliance statement . . . . .	67
Australia and New Zealand Class A statement . . . . .	67
United Kingdom telecommunications safety requirement. . . . .	67
European Union EMC Directive conformance statement. . . . .	67
Taiwanese Class A warning statement . . . . .	68
Chinese Class A warning statement . . . . .	68
Japanese Voluntary Control Council for Interference (VCCI) statement . . . . .	68
<b>Index . . . . .</b>	<b>69</b>

## Safety

Before installing this product, read the Safety Information.

قبل تركيب هذا المنتج، يجب قراءة الملاحظات الأمنية

Antes de instalar este produto, leia as Informações de Segurança.

在安装本产品之前，请仔细阅读 **Safety Information** (安全信息)。

安裝本產品之前，請先閱讀「安全資訊」。

Prije instalacije ovog produkta obavezno pročitajte Sigurnosne Upute.

Před instalací tohoto produktu si přečtěte příručku bezpečnostních instrukcí.

Læs sikkerhedsforskrifterne, før du installerer dette produkt.

Lees voordat u dit product installeert eerst de veiligheidsvoorschriften.

Ennen kuin asennat tämän tuotteen, lue turvaohjeet kohdasta Safety Information.

Avant d'installer ce produit, lisez les consignes de sécurité.

Vor der Installation dieses Produkts die Sicherheitshinweise lesen.

Πριν εγκαταστήσετε το προϊόν αυτό, διαβάστε τις πληροφορίες ασφαλείας (safety information).

לפני שתתקינו מוצר זה, קראו את הוראות הבטיחות.

A termék telepítése előtt olvassa el a Biztonsági előírásokat!

Prima di installare questo prodotto, leggere le Informazioni sulla Sicurezza.

製品の設置の前に、安全情報をお読みください。

본 제품을 설치하기 전에 안전 정보를 읽으십시오.

Пред да се инсталира овој продукт, прочитајте информацијата за безбедност.

Les sikkerhetsinformasjonen (Safety Information) før du installerer dette produktet.

Przed zainstalowaniem tego produktu, należy zapoznać się z książką "Informacje dotyczące bezpieczeństwa" (Safety Information).

Antes de instalar este produto, leia as Informações sobre Segurança.

Перед установкой продукта прочтите инструкции по технике безопасности.

Pred inštaláciou tohto zariadenia si pečítajte Bezpečnostné predpisy.

Pred namestitvijo tega proizvoda preberite Varnostne informacije.

Antes de instalar este producto, lea la información de seguridad.

Läs säkerhetsinformationen innan du installerar den här produkten.

**Important:**

All caution and danger statements in this documentation begin with a number. This number is used to cross reference an English caution or danger statement with translated versions of the caution or danger statement in the *IBM Safety Information* book.

For example, if a caution statement begins with a number 1, translations for that caution statement appear in the *IBM Safety Information* book under statement 1.

Be sure to read all caution and danger statements in this documentation before performing the instructions. Read any additional safety information that comes with the blade server or optional device before you install the device.



**Statement 1:**



**DANGER**

**Electrical current from power, telephone, and communication cables is hazardous.**

**To avoid a shock hazard:**

- **Do not connect or disconnect any cables or perform installation, maintenance, or reconfiguration of this product during an electrical storm.**
- **Connect all power cords to a properly wired and grounded electrical outlet.**
- **Connect to properly wired outlets any equipment that will be attached to this product.**
- **When possible, use one hand only to connect or disconnect signal cables.**
- **Never turn on any equipment when there is evidence of fire, water, or structural damage.**
- **Disconnect the attached power cords, telecommunications systems, networks, and modems before you open the device covers, unless instructed otherwise in the installation and configuration procedures.**
- **Connect and disconnect cables as described in the following table when installing, moving, or opening covers on this product or attached devices.**

**To Connect:**

1. Turn everything OFF.
2. First, attach all cables to devices.
3. Attach signal cables to connectors.
4. Attach power cords to outlet.
5. Turn device ON.

**To Disconnect:**

1. Turn everything OFF.
2. First, remove power cords from outlet.
3. Remove signal cables from connectors.
4. Remove all cables from devices.

**Statement 2:**



**CAUTION:**

When replacing the lithium battery, use only IBM Part Number 33F8354 or an equivalent type battery recommended by the manufacturer. If your system has a module containing a lithium battery, replace it only with the same module type made by the same manufacturer. The battery contains lithium and can explode if not properly used, handled, or disposed of.

*Do not:*

- **Throw or immerse into water**
- **Heat to more than 100°C (212°F)**
- **Repair or disassemble**

**Dispose of the battery as required by local ordinances or regulations.**

**Statement 3:**



**CAUTION:**

When laser products (such as CD-ROMs, DVD drives, fiber optic devices, or transmitters) are installed, note the following:

- Do not remove the covers. Removing the covers of the laser product could result in exposure to hazardous laser radiation. There are no serviceable parts inside the device.
- Use of controls or adjustments or performance of procedures other than those specified herein might result in hazardous radiation exposure.



**DANGER**

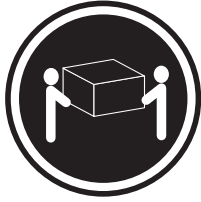
Some laser products contain an embedded Class 3A or Class 3B laser diode. Note the following.

Laser radiation when open. Do not stare into the beam, do not view directly with optical instruments, and avoid direct exposure to the beam.



Class 1 Laser Product  
Laser Klasse 1  
Laser Klass 1  
Luokan 1 Laserlaite  
Appareil À Laser de Classe 1

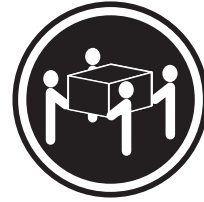
**Statement 4:**



≥ 18 kg (39.7 lb)



≥ 32 kg (70.5 lb)



≥ 55 kg (121.2 lb)

**CAUTION:**

**Use safe practices when lifting.**

**Statement 5:**



**CAUTION:**

The power control button on the device and the power switch on the power supply do not turn off the electrical current supplied to the device. The device also might have more than one power cord. To remove all electrical current from the device, ensure that all power cords are disconnected from the power source.



Statement 8:



**CAUTION:**

Never remove the cover on a power supply or any part that has the following label attached.



Hazardous voltage, current, and energy levels are present inside any component that has this label attached. There are no serviceable parts inside these components. If you suspect a problem with one of these parts, contact a service technician.

Statement 12:



**CAUTION:**

The following label indicates a hot surface nearby.



Statement 13:



**DANGER**

Overloading a branch circuit is potentially a fire hazard and a shock hazard under certain conditions. To avoid these hazards, ensure that your system electrical requirements do not exceed branch circuit protection requirements. Refer to the information that is provided with your device for electrical specifications.

**Statement 15:**



**CAUTION:**

**Make sure that the rack is secured properly to avoid tipping when the server unit is extended.**

---

## Chapter 1. The System x3200 server

The IBM® System x3200 Machine Types 4362 and 4363 are 5-U-high, high-performance servers. They are ideally suited for networking environments that require superior microprocessor performance, improved systems management, and flexible memory and data management.

Performance, ease of use, reliability, and expansion capabilities were key considerations in the design of the server. These design features make it possible for you to customize the system hardware to meet your needs today and provide flexible expansion capabilities for the future.

The server comes with a limited warranty. For information about the terms of the warranty and getting service and assistance, see the *Warranty and Support Information document*.

You can obtain up-to-date information about the server and other IBM server products at <http://www.ibm.com/systems/x/>.

---

### Related documentation

This *User's Guide* provides general information about the server, including how to install supported optional devices and how to configure the server. The following documentation also comes with the server:

- *Installation Guide*  
This printed document contains instructions for setting up the server and basic instructions for installing some optional devices.
- *Warranty and Support Information*  
This document is in Portable Document Format (PDF) on the IBM System x™ *Documentation CD*. It contains information about the terms of the warranty and getting service and assistance.
- *Safety Information*  
This document is in PDF on the IBM System x *Documentation CD*. It contains translated caution and danger statements. Each caution and danger statement that appears in the documentation has a number that you can use to locate the corresponding statement in your language in the *Safety Information* document.
- *Problem Determination and Service Guide*  
This document is in PDF on the IBM System x *Documentation CD*. It contains information to help you solve problems yourself, and it contains information for service technicians.

Depending on the server model, additional documentation might be included on the IBM System x *Documentation CD*.

The System x and xSeries Tools Center is an online information center that contains information about tools for updating, managing, and deploying firmware, device drivers, and operating systems. The System x and xSeries Tools Center is at <http://publib.boulder.ibm.com/infocenter/toolsctr/v1r0/index.jsp>

---

1. Racks are measured in vertical increments of 4.45 cm (1.75 inches) each. Each increment is called a "U." A 1-U-high device is 1.75 inches tall.

The server might have features that are not described in the documentation that you received with the server. The documentation might be updated occasionally to include information about those features, or technical updates might be available to provide additional information that is not included in the server documentation. These updates are available from the IBM Web site. To check for updated documentation and technical updates, complete the following steps.

**Note:** Changes are made periodically to the IBM Web site. The actual procedure might vary slightly from what is described in this document.

1. Go to <http://www.ibm.com/servers/eserver/support/xseries/index.html>.
2. Under **Search technical support**, type **System x3200**, and click **Search**.

---

## Notices and statements in this document

The caution and danger statements that appear in this document are also in the multilingual *Safety Information* document, which is on the IBM *System x Documentation* CD. Each statement is numbered for reference to the corresponding statement in the *Safety Information* document.

The following notices and statements are used in this document:

- **Note:** These notices provide important tips, guidance, or advice.
- **Important:** These notices provide information or advice that might help you avoid inconvenient or problem situations.
- **Attention:** These notices indicate potential damage to programs, devices, or data. An attention notice is placed just before the instruction or situation in which damage could occur.
- **Caution:** These statements indicate situations that can be potentially hazardous to you. A caution statement is placed just before the description of a potentially hazardous procedure step or situation.
- **Danger:** These statements indicate situations that can be potentially hazardous to you. A danger statement is placed just before the description of a potentially lethal or extremely hazardous procedure step or situation.



## Features and specifications

The following information is a summary of the features and specifications of the server. Depending on the server model, some features might not be available, or some specifications might not apply.

Table 1. Features and specifications

<p><b>Microprocessor:</b></p> <ul style="list-style-type: none"> <li>One Intel® Xeon® 3000 sequence or Pentium D microprocessor, dual-core or quad-core</li> </ul> <p><b>Important:</b> Do not mix dual-core and quad-core microprocessors in the same system.</p> <ul style="list-style-type: none"> <li>2 MB or 4 MB Level-2 cache</li> <li>800 or 1066 MHz front-side bus (FSB)</li> </ul> <p><b>Memory:</b></p> <ul style="list-style-type: none"> <li>Minimum: 512 MB</li> <li>Maximum: 8 GB</li> <li>Types: PC2-5300 double-data-rate 2 (DDR2)</li> <li>Connectors: four dual inline memory module (DIMM) connectors, two-way interleaved</li> </ul> <p><b>Drives (depending on the model):</b></p> <ul style="list-style-type: none"> <li>Diskette (optional internal or external USB): 1.44 MB</li> <li>Hard disk drive: SAS or SATA</li> <li>One of the following optical IDE drives: <ul style="list-style-type: none"> <li>CD-ROM</li> <li>DVD-ROM (optional)</li> <li>DVD-ROM/CD-RW (optional)</li> <li>Multiburner (optional)</li> </ul> </li> </ul> <p><b>Drive bays (depending on the model):</b></p> <ul style="list-style-type: none"> <li>Two 5.25 in. bays (one optical drive installed)</li> <li>One 3.5 in. removable-media drive bay</li> <li>Four 3.5 in. or 2.5 in. hard disk drive bays</li> </ul> <p><b>PCI expansion slots (depending on the model):</b></p> <ul style="list-style-type: none"> <li>One PCI Express x8 slot</li> <li>One PCI Express x1 slot</li> <li>Three PCI 32-bit/33 MHz slots</li> </ul>	<p><b>Fans:</b></p> <p>Three speed-controlled fans.</p> <p><b>Power supply:</b></p> <p>One of the following:</p> <ul style="list-style-type: none"> <li>Two redundant 430 watt (90-240 V ac)</li> <li>One nonredundant 400 watt (90-240 V ac)</li> </ul> <p><b>Size:</b></p> <ul style="list-style-type: none"> <li>Height: 438 mm (17.25 in.)</li> <li>Depth: 540 mm (21.25 in.)</li> <li>Width: 216 mm (8.5 in.)</li> <li>Weight: 16.3 kg (36 lb) to 25.2 kg (56 lb) depending upon configuration</li> </ul> <p><b>Integrated functions:</b></p> <ul style="list-style-type: none"> <li>Mini baseboard management controller (mini-BMC)</li> <li>Broadcom BCM5721 10/100/1000 Ethernet controller on the system board with RJ-45 Ethernet port</li> <li>Two serial ports</li> <li>One parallel port</li> <li>Four-port Serial ATA controller</li> <li>One internal SAS port (mini-PCI slot)</li> <li>Six Universal Serial Bus (USB) v2.0 ports (two on front and four on rear)</li> <li>Keyboard port</li> <li>Mouse port</li> <li>ATA-100 single-channel IDE controller (bus mastering)</li> <li>ATI ES1000 video controller <ul style="list-style-type: none"> <li>Compatible with SVGA and VGA</li> <li>16 MB SDRAM video memory</li> </ul> </li> </ul> <p><b>Diagnostic LEDs:</b></p> <ul style="list-style-type: none"> <li>Fans</li> <li>Memory</li> <li>Power supply</li> </ul> <p><b>Acoustical noise emissions:</b></p> <ul style="list-style-type: none"> <li>Sound power, idling: 5.0 bel</li> <li>Sound power, operating: 5.3 bel</li> </ul>	<p><b>Environment:</b></p> <ul style="list-style-type: none"> <li>Air temperature: <ul style="list-style-type: none"> <li>Server on: 10° to 35°C (50° to 95°F)</li> <li>Altitude: 0 to 914 m (2998.0 ft)</li> <li>Server off: -40° to 60°C (-40° to 140°F)</li> <li>Altitude: 0 to 2133 m (7000.0 ft)</li> </ul> </li> <li>Humidity (operating and storage): 8% to 80%</li> </ul> <p><b>Heat output:</b></p> <p>Approximate heat output in British thermal units (Btu) per hour:</p> <ul style="list-style-type: none"> <li>Minimum configuration: 630 Btu per hour (185 watts)</li> <li>Maximum configuration: 1784 Btu per hour (523 watts)</li> </ul> <p><b>Electrical input:</b></p> <ul style="list-style-type: none"> <li>Sine-wave input (50 or 60 Hz) required</li> <li>Input voltage and frequency ranges automatically selected</li> <li>Input voltage low range: <ul style="list-style-type: none"> <li>Minimum: 100 V ac</li> <li>Maximum: 127 V ac</li> </ul> </li> <li>Input voltage high range: <ul style="list-style-type: none"> <li>Minimum: 200 V ac</li> <li>Maximum: 240 V ac</li> </ul> </li> <li>Input kilovolt-amperes (kVA) approximately: <ul style="list-style-type: none"> <li>Minimum: 0.20 kVA (all models)</li> <li>Maximum: 0.55 kVA</li> </ul> </li> </ul> <p><b>Notes:</b></p> <ol style="list-style-type: none"> <li>Power consumption and heat output vary depending on the number and type of optional features installed and the power-management optional features in use.</li> <li>These levels were measured in controlled acoustical environments according to the procedures specified by the American National Standards Institute (ANSI) S12.10 and ISO 7779 and are reported in accordance with ISO 9296. Actual sound-pressure levels in a given location might exceed the average values stated because of room reflections and other nearby noise sources. The declared sound-power levels indicate an upper limit, below which a large number of computers will operate.</li> </ol>
---	--	---

---

## What your server offers

The server uses the following features and technologies:

- **Mini baseboard management controller (mini-BMC)**

The mini-BMC provides basic service-processor environmental monitoring functions. If an environmental condition exceeds a threshold or if a system component fails, the mini-BMC lights LEDs to help you diagnose the problem.

- **High-performance graphics controller**

The server comes with an integrated graphics controller. This high-performance controller supports high resolutions and includes many performance-enhancing features for the operating-system environment.

- **IBM Enhanced Diagnostics CD**

The server comes with an *IBM Enhanced Diagnostics CD*, which you can use to diagnose problems.

- **IBM Director**

IBM Director is a workgroup-hardware-management tool that you can use to centrally manage xSeries® and xSeries servers. For more information, see the IBM Director documentation on the *IBM Director CD*.

- **IBM ServerGuide Setup and Installation CD**

The *ServerGuide Setup and Installation CD* that comes with the server provides programs to help you set up the server and install a Windows® operating system. The ServerGuide™ program detects installed optional hardware devices and provides the correct configuration programs and device drivers.

For more information about the *ServerGuide Setup and Installation CD*, see “Using the ServerGuide Setup and Installation CD” on page 57.

- **Integrated network support**

The server comes with an integrated Broadcom NetXtreme Gigabit Ethernet controller, which supports connection to a 10 Mbps, 100 Mbps, or 1000 Mbps network. For more information, see “Configuring the Broadcom NetXtreme Gigabit Ethernet controller” on page 60.

- **Large data-storage capacity and hot-swap capabilities**

Some server models support up to four 25.4 mm (1 inch) slim-high, 3.5 inch hot-swap hard disk drives in the hot-swap bays. With the hot-swap feature, you can add, remove, or replace hard disk drives without turning off the server.

- **Large system-memory capacity**

The server supports up to 8 GB of system memory. The memory controller supports error correcting code (ECC) for up to four industry-standard, 1.8 V, 240-pin, double-data-rate 2 (DDR2), PC2-5300 unbuffered, synchronous dynamic random-access memory (SDRAM) dual inline memory modules (DIMMs).

- **Redundant connection**

The addition of an optional network interface card (NIC) provides a failover capability to a redundant Ethernet connection. If a problem occurs with the primary Ethernet connection, all Ethernet traffic that is associated with the primary connection is automatically switched to the redundant NIC. If the applicable device drivers are installed, this switching occurs without data loss and without user intervention.

- **ServeRAID™ support**

The server supports ServeRAID adapters to create redundant array of independent disks (RAID) configurations. The server also has integrated RAID level-0 and level-1 support in selected models.

- **Systems-management capabilities**

The server supports an optional Remote Supervisor Adapter II SlimLine, which provides service-processor functions in addition to those that the mini-BMC provides. When this adapter is used with the systems-management software that comes with the server, you can manage the functions of the server locally and remotely. The Remote Supervisor Adapter II SlimLine also provides system monitoring, event recording, and dial-out alert capability.

See the documentation that comes with your systems-management software for more information. To order an optional Remote Supervisor Adapter II SlimLine, contact your IBM marketing representative or authorized reseller.

---

## Reliability, availability, and serviceability

Three important server design features are reliability, availability, and serviceability (RAS). The RAS features help to ensure the integrity of the data that is stored in the server, the availability of the server when you need it, and the ease with which you can diagnose and repair problems.

The server has the following RAS features:

- 1-year parts, 1-year labor limited warranty (Machine Type 4362) and 3-year parts, 3-year labor limited warranty (Machine Type 4363)
- Advanced Configuration and Power Interface (ACPI)
- Advanced Desktop Management Interface (DMI) features
- Automatic error retry or recovery
- Automatic memory downsizing on error detection
- Automatic restart on nonmaskable interrupt (NMI)
- Automatic Server Restart (ASR) logic supporting a system restart when the operating system becomes unresponsive
- Automatic server restart after a power failure, based on the BIOS setting
- Availability of microcode level
- Boot-block recovery
- Built in, menu-driven setup, system configuration, and redundant array of independent disks (RAID) configuration
- Built-in monitoring for fan, power, temperature, and voltage
- CD-based diagnostic programs
- Cooling fans with speed-sensing capability
- Customer support center that is available 24 hours a day, 7 days a week<sup>2</sup>
- Diagnostic support of ServeRAID adapters
- Error codes and messages
- Error correcting code (ECC) double-data-rate 2 (DDR2) synchronous dynamic random-access memory (SDRAM) with serial presence detect (SPD)
- Error logging of POST failures
- Hot-swap Serial Attached SCSI (SAS) hard disk drives (some models)
- Hot-swap Serial Advanced Technology Attachment (SATA) hard disk drives (some models)
- Integrated Ethernet controller
- Support for the optional IBM Remote Supervisor Adapter II SlimLine

---

2. Service availability will vary by country. Response time varies; may exclude holidays.

- Key-lock support for physical security
- Memory change messages posted to the error log
- Mini-baseboard management controller (mini-BMC) (service processor)
- Power management
- Power-on self-test (POST)
- Read-only memory (ROM) checksums
- Redundant Ethernet capabilities (requires an optional Ethernet adapter) with failover support
- Simple-swap Serial Advanced Technology Attachment (SATA) hard disk drives (some models)
- Standby voltage for system-management features and monitoring
- System auto-configuring from the configuration menu
- System-error LED on the front bezel and diagnostic LEDs on the system board
- Upgradeable mini-BMC firmware
- Upgradeable microcode for POST, basic input/output system (BIOS) code, and read-only memory (ROM) resident code, locally or over a LAN
- Vital product data (VPD); includes serial-number information and replacement part numbers, stored in nonvolatile memory, for easier remote maintenance
- Wake on LAN<sup>®</sup> capability

---

## IBM Director

With IBM Director, a network administrator can perform the following tasks:

- View the hardware configuration of remote systems, in detail
- Monitor the usage and performance of critical components, such as microprocessors, disks, and memory
- Centrally manage individual or large groups of IBM and non-IBM Intel-processor-based servers, desktop computers, workstations, and mobile computers on a variety of platforms

IBM Director provides a comprehensive entry-level workgroup hardware manager. It includes the following key features:

- Advanced self-management capabilities for maximum system availability.
- Multiple Windows Server 2003 operating-system platform support, including Microsoft<sup>®</sup> Windows 2000 Server, Windows XP Professional, AIX, i5/os, Red Hat Linux<sup>®</sup>, SUSE, VMware, and Novell NetWare. For a complete list of operating systems that support IBM Director, see the IBM Director Compatibility Document. This document is in Portable Document Format (PDF) at <http://www.ibm.com/pc/support/site.wss/document.do?Indocid=MIGR-61788>. It is updated every 6 to 8 weeks.
- Support for IBM and non-IBM servers, desktop computers, workstations, and notebook computers.
- Support for systems-management industry standards.
- Integration into leading workgroup and enterprise systems-management environments.
- Ease of use, training, and setup.

IBM Director also provides an extensible platform that supports advanced server tools that are designed to reduce the total cost of managing and supporting

networked systems. By deploying IBM Director, you can achieve reductions in ownership costs through the following benefits:

- Reduced downtime
- Increased productivity of IT personnel and users
- Reduced service and support costs

For more information about IBM Director, see the documentation on the IBM Director CD that comes with the server, the *IBM Director* Information Center at [http://publib.boulder.ibm.com/infocenter/eserver/v1r2/topic/dirinfo/fgm0\\_main.htm](http://publib.boulder.ibm.com/infocenter/eserver/v1r2/topic/dirinfo/fgm0_main.htm), and the IBM xSeries Systems Management Web page at [http://www.ibm.com/servers/eserver/xseries/systems\\_management/](http://www.ibm.com/servers/eserver/xseries/systems_management/), which presents an overview of IBM Systems Management and IBM Director.

---

## Update *Xpress* program

The Update*Xpress* program is available for most System x3200 servers and optional devices. It detects supported and installed device drivers and firmware in the server and installs available updates. You can download the Update*Xpress* program from the Web at no additional cost, or you can purchase it on a CD. To download the program or purchase the CD, go to [http://www.ibm.com/servers/eserver/xseries/systems\\_management/sys\\_migration/xpress.html](http://www.ibm.com/servers/eserver/xseries/systems_management/sys_migration/xpress.html). Additional information about Update*Xpress* is available from the System x and xSeries Tools Center at <http://publib.boulder.ibm.com/infocenter/toolsctr/v1r0/index.jsp>

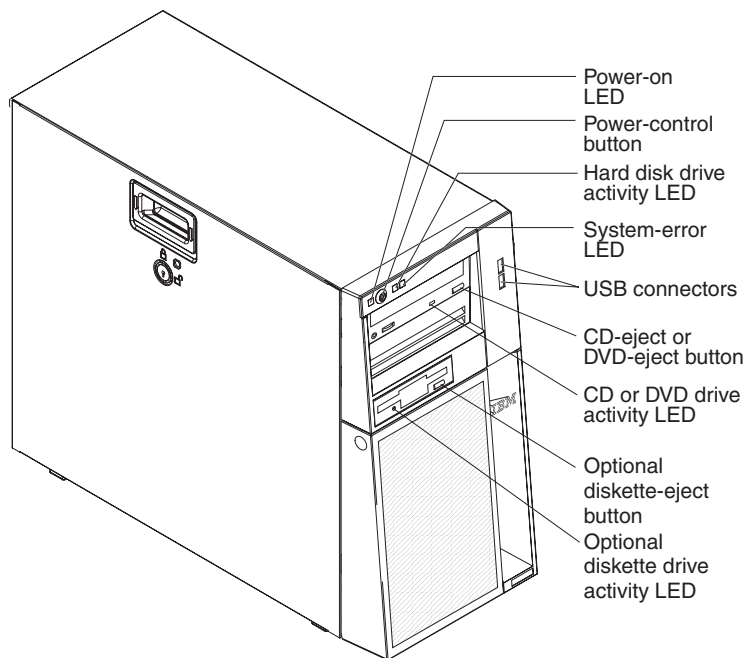
---

## Server controls, LEDs, and power

This section describes the controls and light-emitting diodes (LEDs) and how to turn the server on and off.

### Front view

The following illustration shows the controls, LEDs, and connectors on the front of the server.



#### Power-on LED

When this LED is lit, it indicates that the server is turned on. When this LED is off, it indicates that ac power is not present, or the power supply or the LED itself has failed. The LED will flash if the system is turned off and the power cord is still attached to the server.

**Note:** If this LED is off, it does not mean that there is no electrical power in the server. The LED might be burned out. To remove all electrical power from the server, you must disconnect the power cords from the electrical outlets.

#### Power-control button

Press this button to turn the server on and off manually.

#### Hard disk drive activity LED

When this LED is flashing, it indicates that a hard disk drive is in use.

#### System-error LED

When this amber LED is lit, it indicates that a system error has occurred. An LED on the system board might also be lit to help isolate the error. Detailed troubleshooting information is in the *Problem Determination and Service Guide* on the IBM System x Documentation CD.

#### USB connectors

Connect USB devices to these connectors.

**CD-eject or DVD-eject button**

Press this button to release a CD from the CD drive or a DVD from the DVD drive.

**CD or DVD drive activity LED**

When this LED is lit, it indicates that the CD drive or DVD drive is in use.

**(Optional) External diskette-eject button**

Press this button to release a diskette from the diskette drive.

**(Optional) External diskette drive activity LED**

When this LED is lit, it indicates that the diskette drive is in use.

**Hot-swap hard disk drive activity LED (some models)**

On some server models, each hot-swap drive has a hard disk drive activity LED. When this green LED is flashing, it indicates that the associated hard disk drive is in use.

When the drive is removed, this LED also is visible on the hard disk drive backplane, next to the drive connector. The backplane is the printed circuit board behind drive bays 4 through 7.

**Hot-swap hard disk drive status LED (some models)**

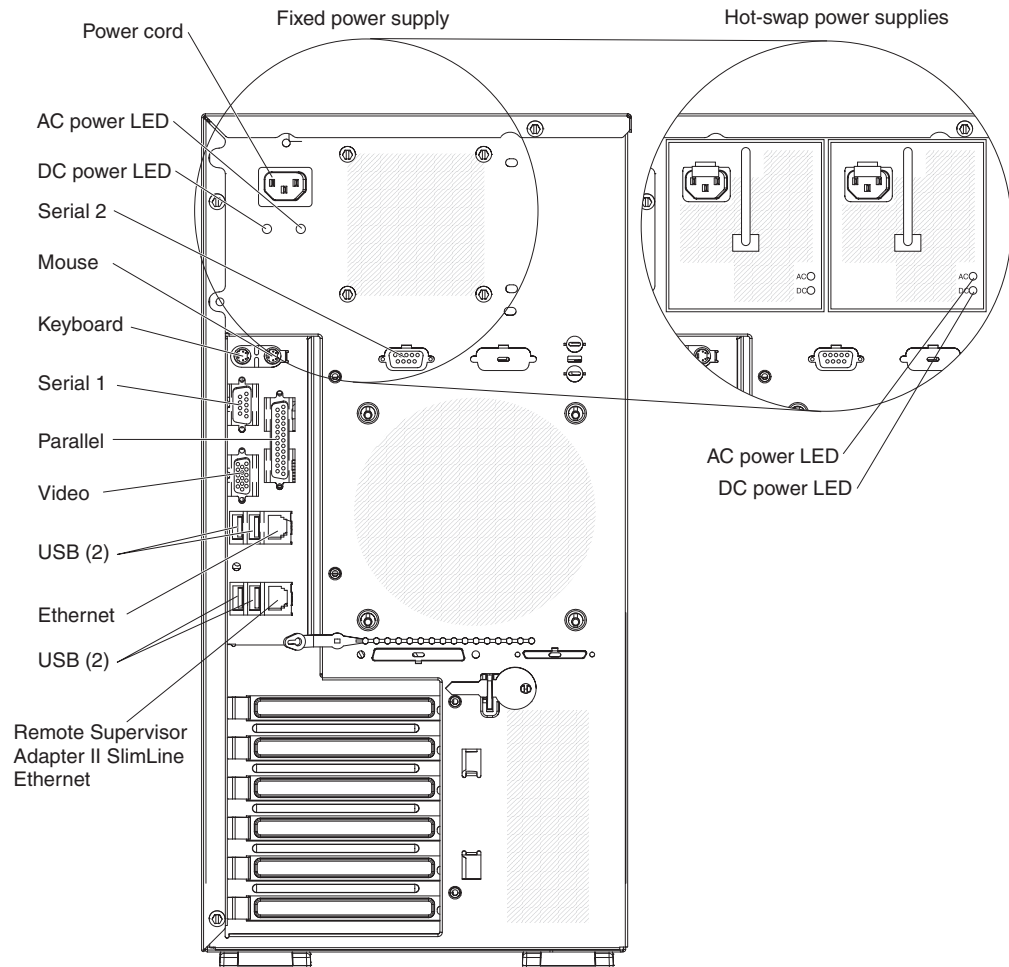
On some server models, each hot-swap hard disk drive has an amber status LED. If this amber status LED for a drive is lit, it indicates that the associated hard disk drive has failed.

If an optional ServeRAID adapter is installed in the server and the LED flashes slowly (one flash per second), the drive is being rebuilt. If the LED flashes rapidly (three flashes per second), the adapter is identifying the drive.

When the drive is removed, this LED also is visible on the hard disk drive backplane, below the hot-swap hard disk drive activity LED.

## Rear view

The following illustration shows the connectors and indicators on the rear of the server.



### Power-cord connector

Connect the power cord to this connector.

### Serial 2 connector

Connect a 9-pin serial device to this connector.

### Mouse connector

Connect a mouse device to this connector.

### Keyboard connector

Connect a keyboard to this connector.

### Serial 1 connector

Connect a 9-pin serial device to this connector.

### Parallel connector

Connect a parallel device to this connector.

### Video connector

Connect a monitor to this connector.

### USB connectors

Connect USB devices to these connectors.



**Ethernet connector**

Use this connector to connect the server to a network.

**Ethernet transmit/receive activity LED**

This LED is on the Ethernet connector on the rear of the server. When this LED is lit, it indicates that there is activity between the server and the network.

**Ethernet link status LED**

This LED is on the Ethernet connector on the rear of the server. When this LED is lit, it indicates that there is an active connection on the Ethernet port.

**Remote Supervisor Adapter II SlimLine Ethernet connector**

Use this connector to connect the Remote Supervisor Adapter II SlimLine to a network.

**AC power LED**

On some server models, each hot-swap power supply has an ac power LED and a dc power LED. During typical operation, both the ac and dc power LEDs are lit.

**DC power LED**

On some server models, each hot-swap power supply has a dc power LED and an ac power LED. During typical operation, both the ac and dc power LEDs are lit.

## Server power features

When the server is connected to an ac power source but is not turned on, the operating system does not run, and all core logic is shut down; however, the server can respond to remote requests to turn on the server.

**Turning on the server**

Approximately 20 seconds after the server is connected to ac power, the power-control button becomes active, and you can turn on the server and start the operating system by pressing the power-control button.

The server can also be turned on in any of the following ways:

- If a power failure occurs while the server is turned on, the server will restart automatically when power is restored.
- If your operating system supports the systems-management software for an optional Remote Supervisor Adapter II SlimLine, the systems-management software can turn on the server.
- If your operating system supports the Wake on LAN feature, the Wake on LAN feature can turn on the server.
- If an optional Remote Supervisor Adapter II SlimLine is installed in the server, the server can be turned on from the Remote Supervisor Adapter II SlimLine user interface.

**Note:** When 4 GB or more of memory (physical or logical) is installed, some memory is reserved for various system resources and is unavailable to the operating system. The amount of memory that is reserved for system resources depends on the operating system, the configuration of the server, and the configured PCI optional devices.

## Turning off the server

When you turn off the server and leave it connected to ac power, the server can respond to remote requests to turn on the server. To remove all power from the server, you must disconnect it from the power source.

Some operating systems require an orderly shutdown before you turn off the server. See your operating-system documentation for information about shutting down the operating system.

### Statement 5:



### CAUTION:

**The power control button on the device and the power switch on the power supply do not turn off the electrical current supplied to the device. The device also might have more than one power cord. To remove all electrical current from the device, ensure that all power cords are disconnected from the power source.**



The server can be turned off in any of the following ways:

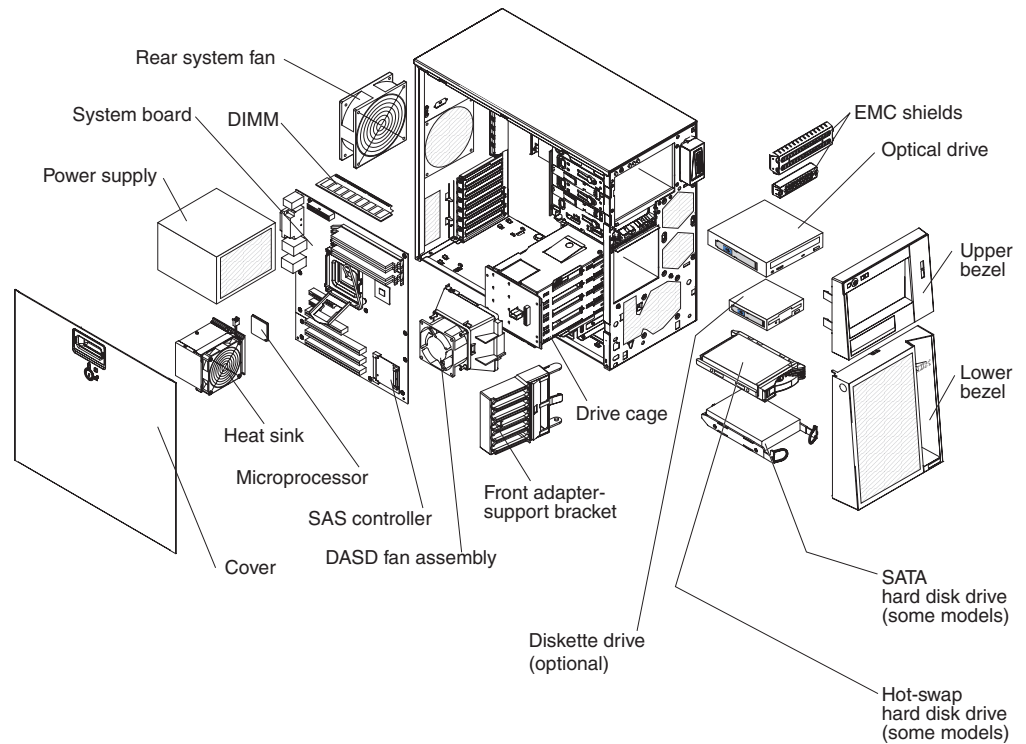
- You can turn off the server from the operating system, if your operating system supports this feature. After an orderly shutdown of the operating system, the server will be turned off automatically.
- You can press the power-control button to start an orderly shutdown of the operating system and turn off the server, if your operating system supports this feature.
- If the operating system stops functioning, you can press and hold the power-control button for more than 4 seconds to turn off the server.
- If an optional Remote Supervisor Adapter II SlimLine is installed in the server, the server can be turned off from the Remote Supervisor Adapter II SlimLine user interface.
- If the Wake on LAN feature turned on the server, the Wake on LAN feature can turn off the server.
- The server can turn itself off as an automatic response to a critical system failure.

## Chapter 2. Installing optional devices

This chapter provides detailed instructions for installing optional hardware devices in the server.

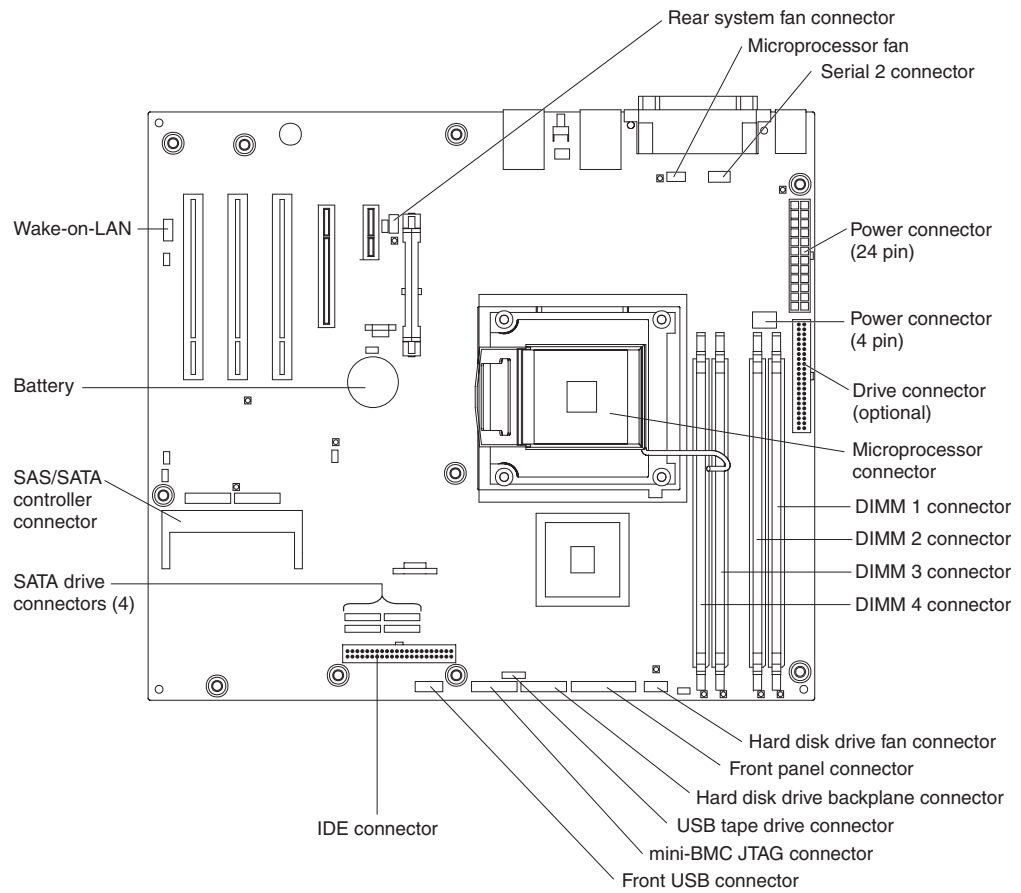
### Server components

The following illustration shows the major components in the server (depending on the server model). The illustrations in this document might differ slightly from your hardware.



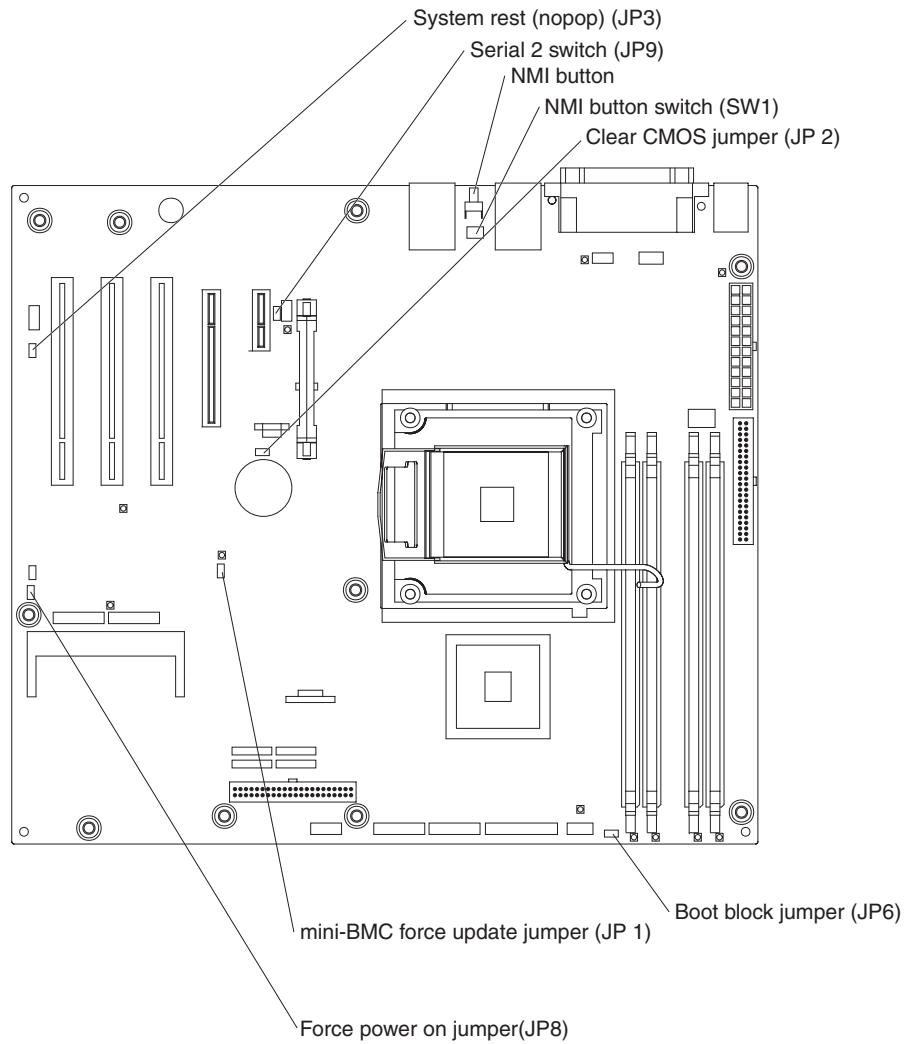
## System-board internal connectors

The following illustration shows the internal connectors on the system board.



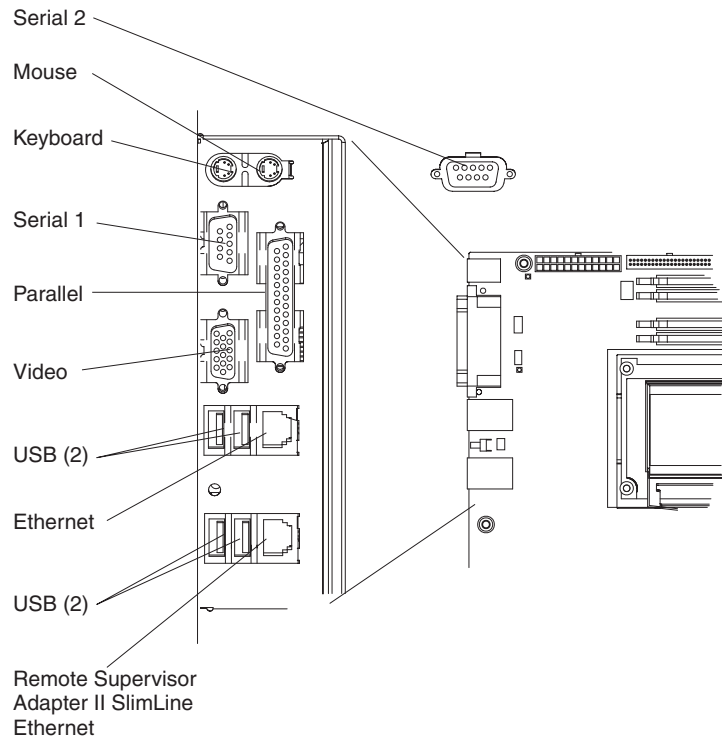
## System-board switches and jumpers

The following illustration shows the jumpers on the system board. There are no changeable switches on the system board.



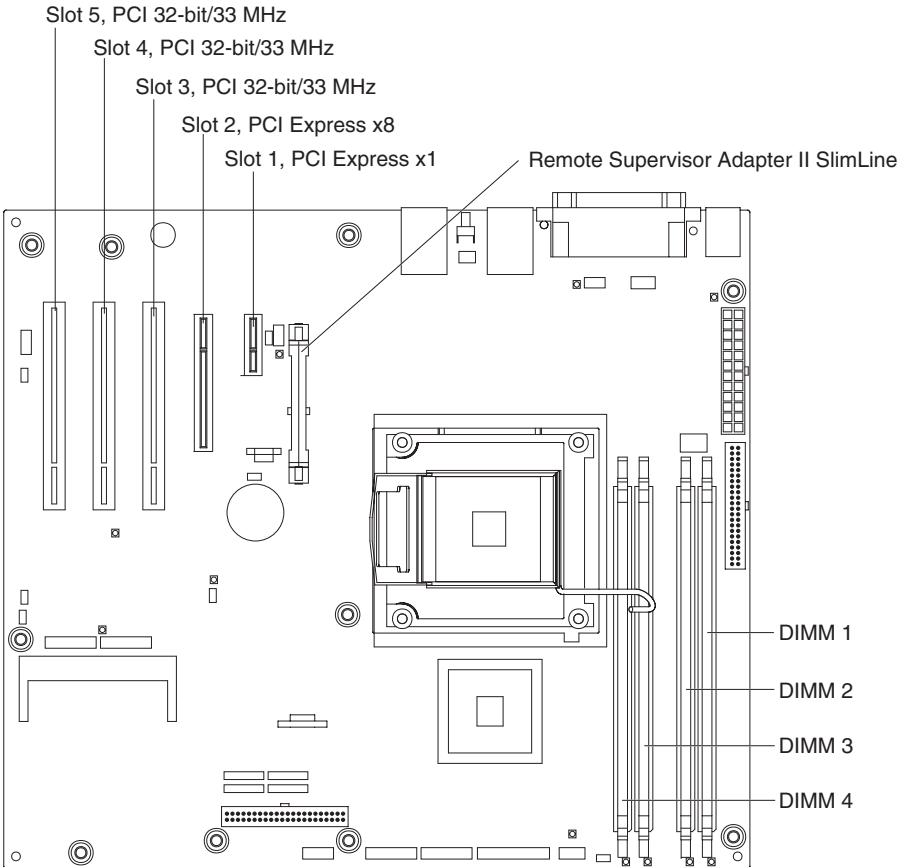
## System-board external connectors

The following illustration shows the external input/output (I/O) connectors on the system board.



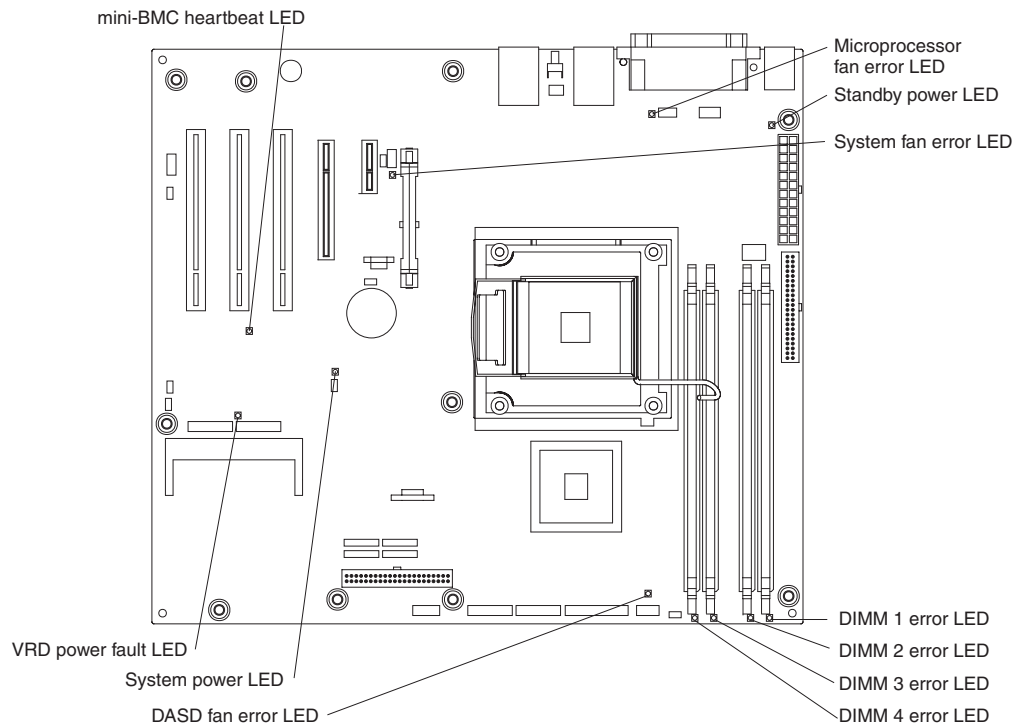
# System-board connectors

The following illustration shows the system-board and connectors for user installable options.



## System-board LEDs

The following illustration shows the light-emitting diodes (LEDs) on the system board.



For more information about the system-board LEDs, see the *Problem Determination and Service Guide* on the IBM System x Documentation CD.

---

## Installation guidelines

Before you install optional devices, read the following information:

- Read the safety information that begins on page v, the guidelines in “Working inside the server with the power on” on page 20, and “Handling static-sensitive devices” on page 20. This information will help you work safely.
- When you install your new server, take the opportunity to download and apply the most recent firmware updates. This step will help to ensure that any known issues are addressed and that your server is ready to function at maximum levels of performance. To download firmware updates for your server, go to <http://www.ibm.com/servers/eserver/support/xseries/index.html/>, select System 4362 or 4363 from the Hardware list, click Go, and then click the Download tab. For additional information about tools for updating, managing, and deploying firmware, see the System x and xSeries Tools Center at <http://publib.boulder.ibm.com/infocenter/toolsctr/v1r0/index.jsp>
- Before you install optional hardware devices, make sure that the server is working correctly. Start the server, and make sure that the operating system starts, if an operating system is installed, or that a 19990305 error code is displayed, indicating that an operating system was not found but the server is otherwise working correctly. If the server is not working correctly, see “Solving Problems” in the *Installation Guide* for diagnostic information.
- Observe good housekeeping in the area where you are working. Place removed covers and other parts in a safe place.



- If you must start the server while the cover is removed, make sure that no one is near the server and that no tools or other objects have been left inside the server.
- Do not attempt to lift an object that you think is too heavy for you. If you have to lift a heavy object, observe the following precautions:
  - Make sure that you can stand safely without slipping.
  - Distribute the weight of the object equally between your feet.
  - Use a slow lifting force. Never move suddenly or twist when you lift a heavy object.
  - To avoid straining the muscles in your back, lift by standing or by pushing up with your leg muscles.
- Make sure that you have an adequate number of properly grounded electrical outlets for the server, monitor, and other devices.
- Back up all important data before you make changes to disk drives.
- Have a small flat-blade screwdriver available.
- You do not have to turn off the server to install or replace hot-swap power supplies, or hot-plug Universal Serial Bus (USB) devices.
- Blue on a component indicates touch points, where you can grip the component to remove it from or install it in the server, open or close a latch, and so on.
- Orange on a component or an orange label on or near a component indicates that the component can be hot-swapped, which means that if the server and operating system support hot-swap capability, you can remove or install the component while the server is running. (Orange can also indicate touch points on hot-swap components.) See the instructions for removing and installing a specific hot-swap component for any additional procedures that you might have to perform before you remove or install the component.
- When you have to access the inside of the server, you might find it easier to lay the server on its side. Before laying the server on its side, rotate the two front stabilizing feet a quarter turn inward toward the server, so that they do not break. Before returning the server to an upright position, rotate the front stabilizing feet a quarter turn outward from the server.
- When you are finished working on the server, reinstall all safety shields, guards, labels, and ground wires.
- For a list of supported optional devices for the server, see <http://www.ibm.com/servers/eserver/serverproven/compat/us/>.

## System reliability guidelines

To help ensure proper system cooling and system reliability, make sure that the following requirements are met:

- Each of the drive bays has a drive and electromagnetic compatibility (EMC) shield installed in it.
- There is adequate space around the server to allow the server cooling system to work properly. Leave approximately 50 mm (2 in.) of open space around the front and rear of the server. Do not place objects in front of the fans. For proper cooling and airflow, replace the server cover before turning on the server. Operating the server for extended periods of time (more than 30 minutes) with the server cover removed might damage server components.
- You have followed the cabling instructions that come with optional adapters.
- You have replaced a failed fan as soon as possible.
- You have replaced a hot-swap drive within 2 minutes of removal.

## Working inside the server with the power on

**Attention:** Static electricity that is released to internal server components when the server is powered-on might cause the server to halt, which could result in the loss of data. To avoid this potential problem, always use an electrostatic-discharge wrist strap or other grounding system when working inside the server with the power on.

The server supports hot-plug, hot-add, and hot-swap devices and is designed to operate safely while it is turned on and the cover is removed. Follow these guidelines when you work inside a server that is turned on.

- Avoid wearing loose-fitting clothing on your forearms. Button long-sleeved shirts before working inside the server; do not wear cuff links while you are working inside the server.
- Do not allow your necktie or scarf to hang inside the server.
- Remove jewelry, such as bracelets, necklaces, rings, and loose-fitting wrist watches.
- Remove items from your shirt pocket, such as pens and pencils, that could fall into the server as you lean over it.
- Avoid dropping any metallic objects, such as paper clips, hairpins, and screws, into the server.

## Handling static-sensitive devices

**Attention:** Static electricity can damage the server and other electronic devices. To avoid damage, keep static-sensitive devices in their static-protective packages until you are ready to install them.

To reduce the possibility of electrostatic discharge, observe the following precautions:

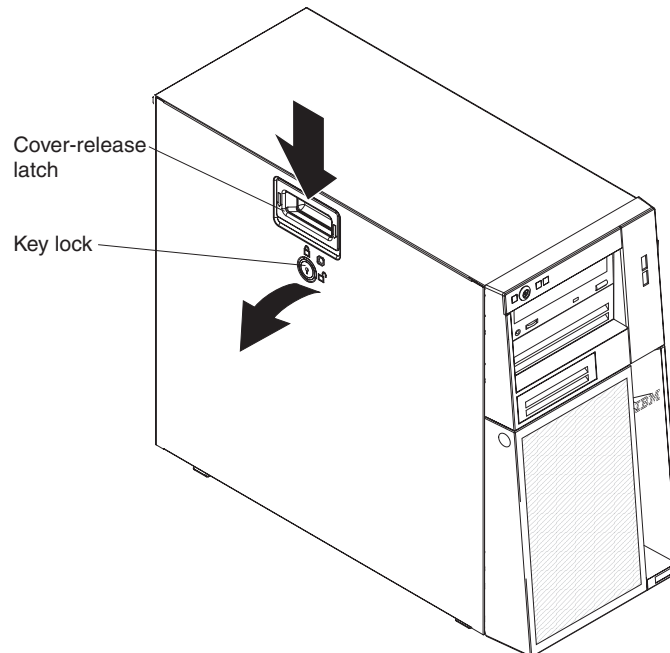
- Limit your movement. Movement can cause static electricity to build up around you.
- The use of a grounding system is recommended. For example, wear an electrostatic-discharge wrist strap, if one is available. Always use an electrostatic-discharge wrist strap or other grounding system when you work inside the server with the power on.
- Handle the device carefully, holding it by its edges or its frame.
- Do not touch solder joints, pins, or exposed circuitry.
- Do not leave the device where others can handle and damage it.
- While the device is still in its static-protective package, touch it to an unpainted metal surface on the outside of the server for at least 2 seconds. This drains static electricity from the package and from your body.
- Remove the device from its package and install it directly into the server without setting down the device. If it is necessary to set down the device, put it back into its static-protective package. Do not place the device on the server cover or on a metal surface.
- Take additional care when you handle devices during cold weather. Heating reduces indoor humidity and increases static electricity.

---

## Removing the side cover

To remove the server side cover, complete the following steps:

1. Review the safety information that begins on page v and “Installation guidelines” on page 18.
2. Turn off the server and all attached devices (see “Server power features” on page 11); then, disconnect all power cords and external cables.
3. Lay the server on its side.
4. Unlock the side cover; then, press the cover-release latch down, as indicated by the two arrows on the latch.



5. Lift the side cover off the server and set it aside.

To replace the side cover, see “Reinstalling the side cover” on page 49.

**Attention:** For proper cooling and airflow, replace the cover before you turn on the server. Operating the server for extended periods of time (more than 30 minutes) with the cover removed might damage server components.

---

## Removing the two-piece bezel

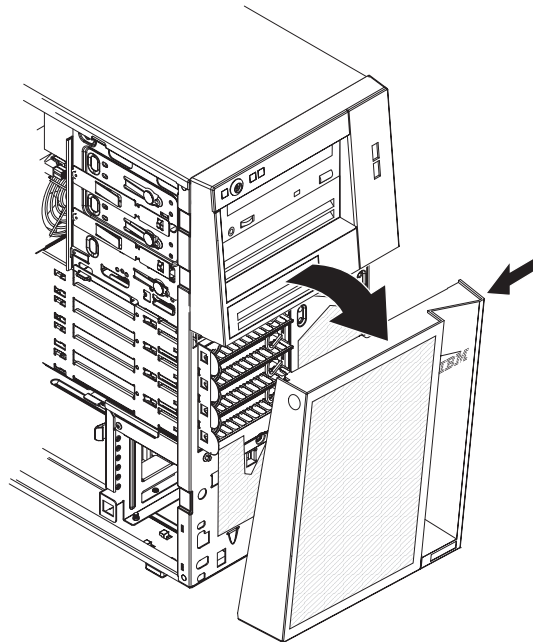
When working with some devices, such as drives in bays 1 through 7, you must first remove the two-piece bezel to access the devices.

### Notes:

- Before you remove the upper bezel, you must unlock and remove the side cover and remove the lower bezel.
- If you are removing only the lower bezel, you do not have to remove the side cover. However, the side cover must be unlocked.

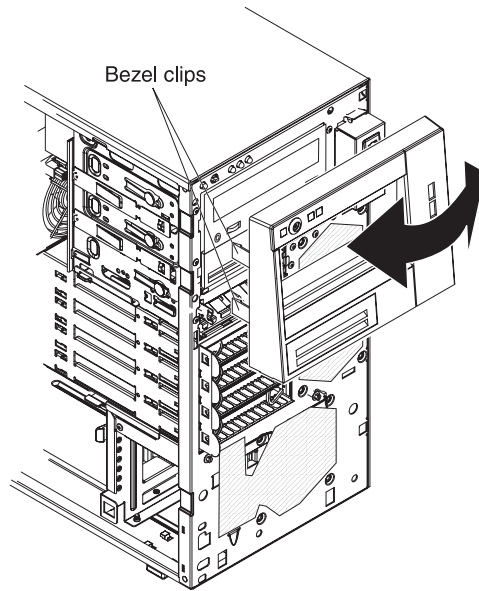
To remove the two-piece bezel, complete the following steps:

1. Unlock the side cover.
2. Remove the side cover (see “Removing the side cover” on page 21). Press the round blue release button on the right side of the lower bezel and tilt the lower bezel forward to disengage it from the chassis.



3. Lift the lower bezel to disengage the two bottom tabs from the chassis. Set the lower bezel aside.

4. Carefully pull the two bezel clips on the left side of the upper bezel away from the chassis; then, rotate the upper bezel to the right side of the server to disengage the two right-side tabs from the chassis. Set the upper bezel aside.



For instructions for replacing the two-piece bezel, see “Reinstalling the two-piece bezel” on page 47.

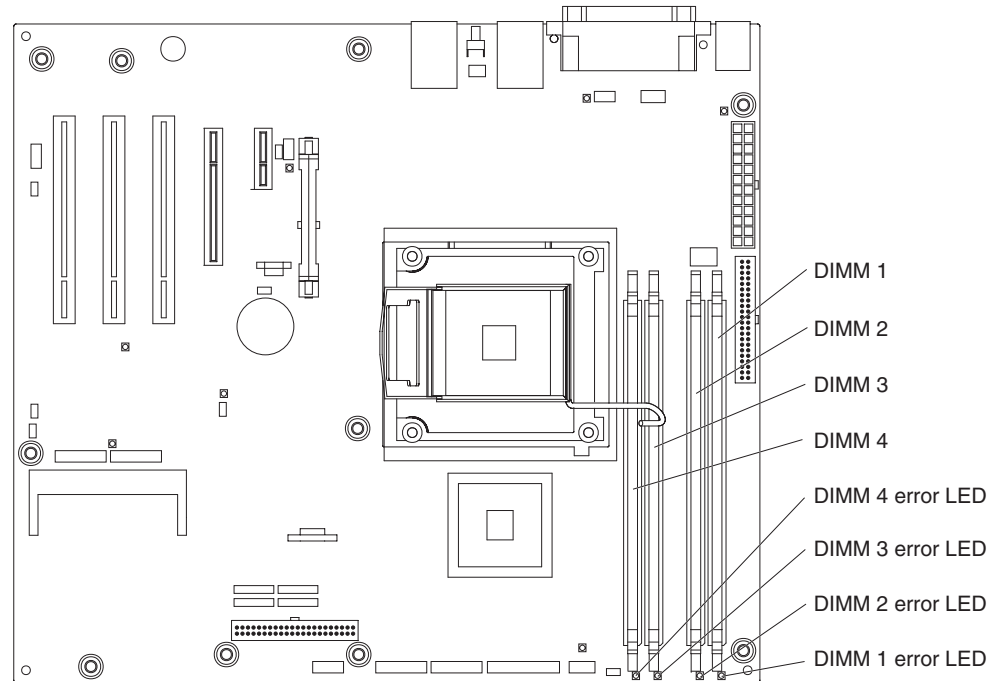
---

## Installing a memory module

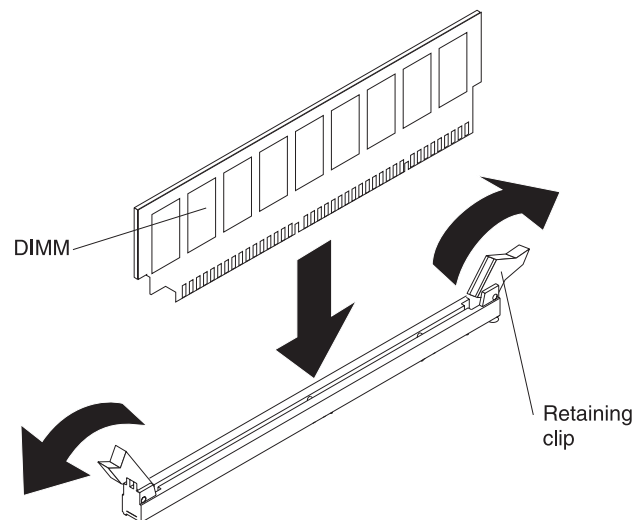
The following notes describe the types of dual inline memory modules (DIMMs) that the server supports and other information that you must consider when you install DIMMs:

- The server supports industry-standard, 667 MHz, unbuffered PC2-5300, double-data-rate 2 (DDR2) dual inline memory modules (DIMMs) error correcting code (ECC) memory.
- The system board contains four DIMM connectors and supports two-way memory interleaving.
- The DIMM options that are available for the server are 512 MB, 1 GB, and 2 GB. The server supports a minimum of 512 MB and a maximum of 8 GB of system memory.
- The server comes with one 512 MB DIMM or two 512 MB DIMMs installed. Depending on the DIMM sizes that you select, the server also supports one, two or four DIMMs. The 512 MB DIMM option kit contains one DIMM; however, the 1 GB DIMM and 2 GB option kits each contain two DIMMs.
- The amount of usable memory will be reduced depending on the system configuration. A certain amount of memory must be reserved for system resources. To view the total amount of installed memory and the amount of configured memory, run the Configuration/Setup Utility program and select **System Summary** from the menu. For additional information, see Chapter 3, “Configuring the server,” on page 53.
- For two-way memory interleaving, DIMMs must be installed in matched pairs. If one DIMM is installed in the DIMM 1 connector, when you install an additional DIMM, it must be installed in the DIMM 3 connector, and it must be the same size, speed, type, and technology as the DIMM in the DIMM 1 connector. You can mix compatible DIMMs from various manufacturers. If you install a second pair of DIMMs in the DIMM 2 and DIMM 4 connectors, they do not have to be the same size, speed, type, and technology as the DIMMs in the DIMM 1 and DIMM 3 connectors. However, the size, speed, type, and technology of the DIMMs that you install in the DIMM 2 and DIMM 4 connectors must match each other.
- Install only 1.8 V, 240-pin, double-data-rate 2 (DDR2), 667 MHz, PC2-5300, unbuffered synchronous dynamic random-access memory (SDRAM) with error correcting code (ECC) DIMMs. These DIMMs must be compatible with the latest DDR2 667 MHz SDRAM unbuffered DIMM specification. For a list of supported optional devices for the server, see <http://www.ibm.com/servers/eserver/serverproven/compat/us/>.
- When you restart the server after you add or remove a DIMM, the server displays a message that the memory configuration has changed.

The following illustration shows the dual inline memory module (DIMM) connectors and corresponding LEDs on the system board.



**Attention:** Static electricity that is released to internal server components when the server is powered-on might cause the server to stop, which could result in the loss of data. To avoid this potential problem, always use an electrostatic-discharge wrist strap or other grounding system when you work inside the server with the power on.



To install a DIMM, complete the following steps:

1. Read the safety information that begins on page v and “Installation guidelines” on page 18.
2. Turn off the server and peripheral devices, and disconnect the power cords and all external cables.
3. Remove the side cover (see “Removing the side cover” on page 21).

4. Locate the DIMM connectors on the system board. Determine the connectors into which you will install the DIMMs. Install the DIMMs in the sequence shown in the following table.

Number of DIMMs	Installation sequence (connectors)
1	1
2 (interleaved configuration)	1, 3
3	Not supported
4 (interleaved configuration)	1, 3, 2, 4

**Attention:** To avoid breaking the retaining clips or damaging the DIMM connectors, open and close the clips gently.

5. Open the retaining clips and, if necessary, remove any existing DIMM.
6. Touch the static-protective package that contains the DIMM to any unpainted metal surface on the server. Then, remove the new DIMM from the package.
7. Turn the DIMM so that the DIMM keys align correctly with the slot.
8. Insert the DIMM into the connector by aligning the edges of the DIMM with the slots at the ends of the DIMM connector. Firmly press the DIMM straight down into the connector by applying pressure on both ends of the DIMM simultaneously. The retaining clips snap into the locked position when the DIMM is firmly seated in the connector. If there is a gap between the DIMM and the retaining clips, the DIMM has not been correctly installed. Open the retaining clips, remove the DIMM, and then reinsert it.

If you have other devices to install or remove, do so now; otherwise, go to “Completing the installation” on page 47.

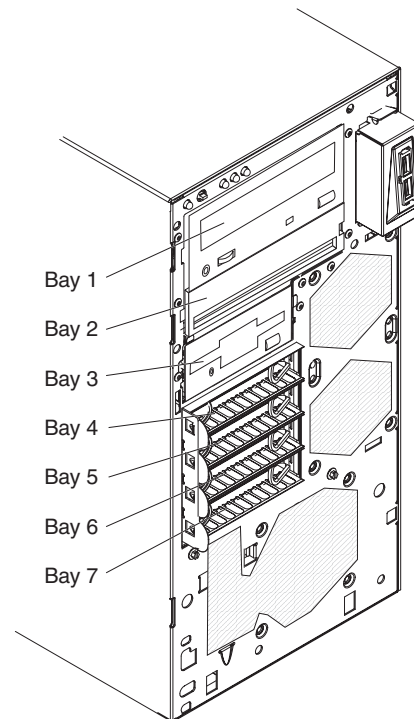


---

## Installing a drive

Depending on the server model, a CD-ROM, CD-RW, DVD/CD-RW combo, or multiburner drive might be installed in the server.

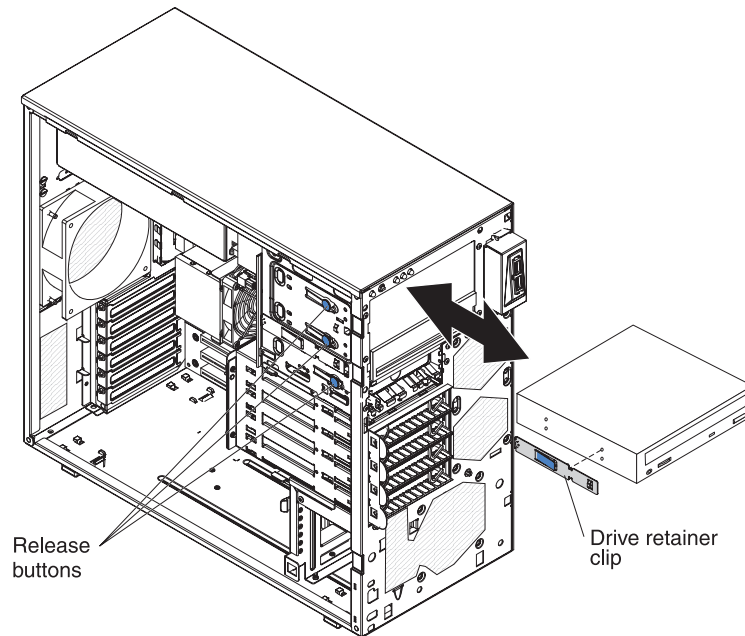
The following illustration shows the drive bays.



The following notes describe the types of drives that the server supports and other information that you must consider when you install a drive:

- Make sure that you have all the cables and other equipment that are specified in the documentation that comes with the drive.
- Select the bay in which you want to install the drive.
- Check the instructions that come with the drive to see whether you have to set any switches or jumpers on the drive. If you are installing a SAS or SATA device, be sure to set the SAS or SATA ID for that device.
- Optional external USB diskette drives, tape drives, CD drives, CD-RW drives, DVD/CD-RW combo, and multiburner drives are examples of removable-media drives. You can install removable-media drives in bays 1, 2, and 3 only.
- To install a 3.5 in. drive in a 5.25 in. bay, you must use the 5.25 in. conversion kit.
- The electromagnetic interference (EMI) integrity and cooling of the server are protected by having all bays and PCI, and PCI Express slots covered or occupied. When you install a drive, PCI, or PCI Express adapter, save the EMC shield from the bay, the PCI or PCI Express adapter slot cover in the event that you later remove the device.
- For a complete list of supported optional devices for the server, see <http://www.ibm.com/servers/eserver/serverproven/compat/us/>.

## Installing a CD or DVD drive



To install a CD or DVD drive, complete the following steps:

1. Read the safety information that begins on page v and “Installation guidelines” on page 18.
2. Turn off the server and peripheral devices, and disconnect the power cords and all external cables.
3. Remove the side cover (see “Removing the side cover” on page 21).
4. Remove the two-piece bezel (see “Removing the two-piece bezel” on page 22).
5. Use a screwdriver to pry the EMC shield away from the server.

**Note:** If you are installing a drive that contains a laser, observe the following safety precaution.

**Statement 3:**



**CAUTION:**

When laser products (such as CD-ROMs, DVD drives, fiber optic devices, or transmitters) are installed, note the following:

- Do not remove the covers. Removing the covers of the laser product could result in exposure to hazardous laser radiation. There are no serviceable parts inside the device.
- Use of controls or adjustments or performance of procedures other than those specified herein might result in hazardous radiation exposure.



**DANGER**

Some laser products contain an embedded Class 3A or Class 3B laser diode. Note the following.

Laser radiation when open. Do not stare into the beam, do not view directly with optical instruments, and avoid direct exposure to the beam.



Class 1 Laser Product  
Laser Klasse 1  
Laser Class 1  
Luokan 1 Laserlaite  
Appareil À Laser de Classe 1

6. Touch the static-protective package that contains the drive to any unpainted metal surface on the server; then, remove the drive from the package and place it on a static-protective surface.
7. Set any jumpers or switches on the drive according to the documentation that comes with the drive.

**Note:** You might find it easier to install the new drive from the front and then attach the cables.

8. Remove the drive retainer clip from the side of the drive cage of bays 1 and 2 (see the illustration at the beginning of this section). Slide the drive retainer clip to the left to remove it from the drive cage; then, snap the drive retainer clip into the screw holes on the side of the drive (the blue side of the drive retainer clip should be facing outward).

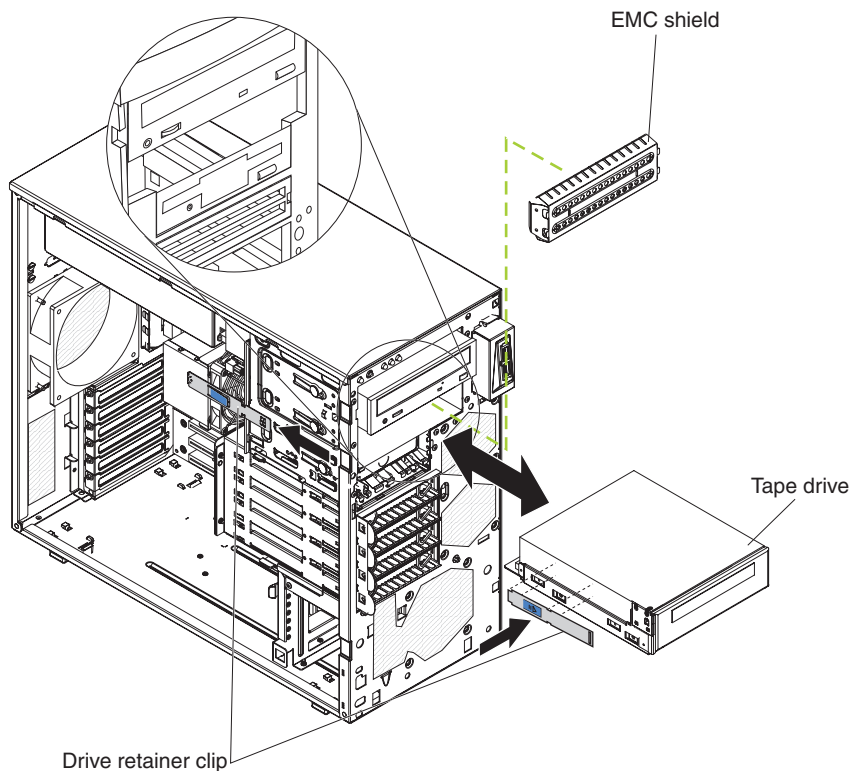
9. If you are installing a 5.25 in. drive in bay 2, push the drive into the bay. If you are installing a 3.5 in. drive in bay 2, you must attach the 5.25 in. conversion kit to the 3.5 in. drive.

**Note:** An optional diskette drive can be installed in bay 3.

10. Determine whether the drive is an IDE or SATA device; then, connect one end of the applicable signal cable into the rear of the drive and make sure that the other end of this cable is connected into the applicable IDE or SATA connector on the system board.
11. Route the signal cable so that it does not block the airflow to the rear of the drives or over the microprocessor and dual inline memory modules (DIMMs).
12. If you have another drive to install or remove, do so now.
13. Connect the power cable to the rear of the drive. The connectors are keyed and can be inserted only one way.

If you have other devices to install or remove, do so now; otherwise, go to “Completing the installation” on page 47.

## Installing a tape drive



To install a tape drive, complete the following steps:

1. Read the safety information that begins on page v and “Installation guidelines” on page 18.
2. Turn off the server and peripheral devices, and disconnect the power cords and all external cables.
3. Remove the side cover (see “Removing the side cover” on page 21).
4. Remove the two-piece bezel (see “Removing the two-piece bezel” on page 22).

5. Use a screwdriver to pry the EMC shield away from the server.
6. Touch the static-protective package that contains the drive to any unpainted metal surface on the server; then, remove the drive from the package and place it on a static-protective surface.
7. Set any jumpers or switches on the drive according to the documentation that comes with the drive.
8. Remove the drive retainer clip from the side of the drive cage of bays 1 and 2 (see the illustration at the beginning of this section). Slide the drive retainer clip to the left to remove it from the drive cage; then, snap the drive retainer clip into the screw holes on the side of the drive (the blue side of the drive retainer clip should be facing outward).
9. Push the drive into the bay.
10. Connect one end of the applicable signal cable into the rear of the drive and make sure that the other end of this cable is connected into the applicable connector on the system board.
11. Route the signal cable so that it does not block the airflow to the rear of the drives or over the microprocessor and dual inline memory modules (DIMMs).
12. If you have another drive to install or remove, do so now.
13. Connect the power cable to the rear of the drive. The connectors are keyed and can be inserted only one way.

If you have other devices to install or remove, do so now; otherwise, go to “Completing the installation” on page 47.

## Installing a hot-swap SAS or hot-swap SATA hard disk drive

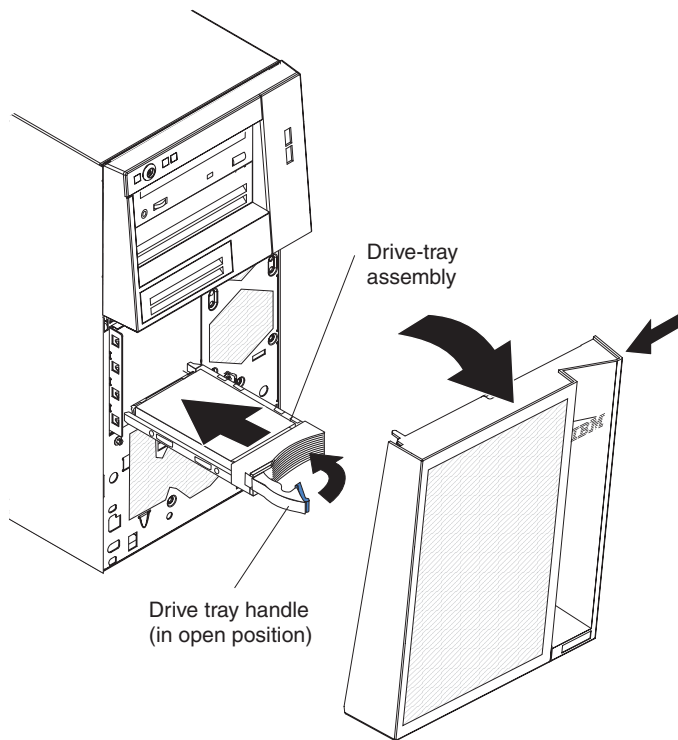
Some server models come with SAS or SATA hard disk drives. Before you install a hot-swap hard disk drive, read the following information:

- The hot-swap drives must be either all SAS hard disk drives or all SATA hard disk drives. Do not mix SAS and SATA drives
- Inspect the drive tray for signs of damage.
- Make sure that the drive is correctly installed in the tray.
- To maintain proper system cooling, do not operate the server for more than 10 minutes without either a drive installed in each drive bay.
- You do not have to turn off the server to install hot-swap drives in the hot-swap drive bays.

The server hot-swap bays are connected to a SAS/SATA backplane. This backplane, also known as the hot-swap-drive backplane, is the printed circuit board behind these bays.

**Attention:** Static electricity that is released to internal server components when the server is powered-on might cause the server to stop, which could result in the loss of data. To avoid this potential problem, always use an electrostatic-discharge wrist strap or other grounding system when working inside the server with the power on.

**Note:** If you install the maximum number of hot-swap hard disk drives (four), remove the EMC shield that is attached inside the lower bezel.



To install a hot-swap hard disk drive, complete the following steps:

1. Read the safety information that begins on page v and “Installation guidelines” on page 18.
2. Unlock the side cover.
3. Remove the side cover and lower bezel (see “Removing the side cover” on page 21 and “Removing the two-piece bezel” on page 22).
4. Touch the static-protective package that contains the drive to any unpainted metal surface on the server; then, remove the drive from the package and place it on a static-protective surface.
5. Install the hard disk drive in the hot-swap bay:
  - a. Make sure that the drive tray handle is open.
  - b. Align the drive assembly with the guide rails in the bay.
  - c. Gently slide the drive assembly into the drive bay until the drive stops.
  - d. Push the drive tray handle to the closed (locked) position.
  - e. Check the hard disk drive status indicator to make sure that the hard disk drive is operating correctly. (You might have to restart the server before the drive is recognized.) If the amber hard disk drive status LED for a drive is lit continuously, it indicates that the drive is faulty and must be replaced. If the green hard disk drive activity LED is flashing, this indicates that the drive is being accessed.

**Note:** If the server is configured for RAID operation using an optional ServeRAID adapter, you might have to reconfigure your disk arrays after installing hard disk drives. See the ServeRAID documentation on the *IBM ServeRAID Support* CD for additional information about RAID operation and complete instructions for using ServeRAID Manager.

6. If you are installing additional hot-swap hard disk drives, do so now.

If you have other devices to install or remove, do so now; otherwise, go to “Completing the installation” on page 47.

## IDs for hot-swap hard disk drives

The hot-swap-drive backplane controls the IDs for the internal hot-swap drive bays. The following table lists the IDs for the hard disk drives and backplane that are connected to one channel in the hot-swap models. In the typical configuration, the standard hard disk drives and backplane are connected to channel A.

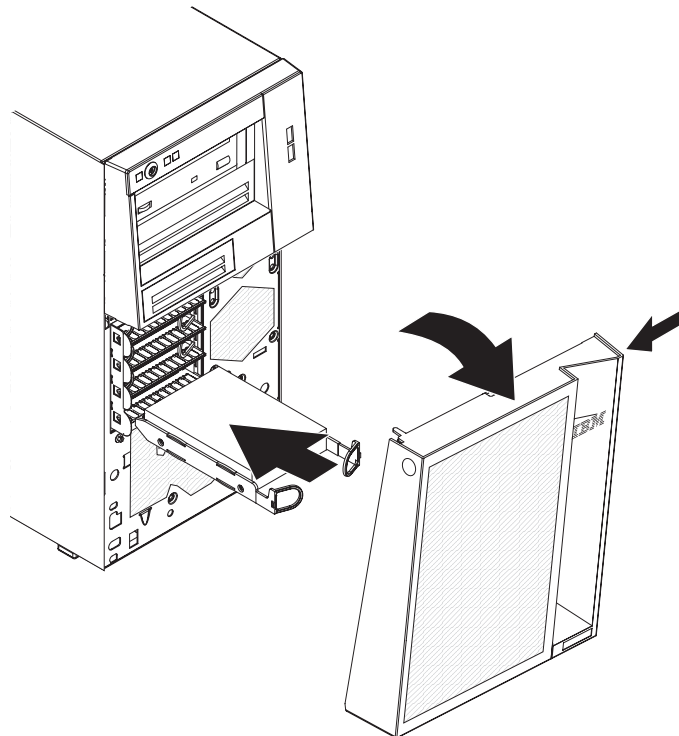
Device	ID
Drive bay 4	0
Drive bay 5	1
Drive bay 6	2
Drive bay 7	3

## Installing a simple-swap SATA hard disk drive

Some server models come with simple-swap SATA hard disk drives, which are accessible from the front of the server. Before you install a simple-swap SATA hard disk drive, read the following information:

- You can install four simple-swap SATA hard disk drives in the server.
- Install the drives in ascending order by bay number.

**Attention:** Simple-swap hard disk drives are not hot-swappable. Disconnect all power from the server before you remove or install a simple-swap hard disk drive.



To install a simple-swap hard disk drive, complete the following steps:

1. Read the safety information that begins on page v and “Installation guidelines” on page 18.
2. Turn off the server and peripheral devices and disconnect all external cables and power cords.
3. Unlock the side cover (the bezel will not disengage from the server if the cover is locked).
4. Remove the side cover and lower bezel (see “Removing the side cover” on page 21 and “Removing the two-piece bezel” on page 22).
5. Touch the static-protective package that contains the drive to any unpainted metal surface on the server; then, remove the drive from the package and place it on a static-protective surface.
6. Align the drive assembly with the guide rails in the bay (the connector end of the drive goes in first).
7. Pull the loops of the drive assembly toward each other; then, carefully slide the drive assembly into the drive bay until it stops and release the loops.

**Note:** Do not release the loops on the drive assembly until it is completely seated.

If you have other devices to install or remove, do so now; otherwise, go to “Completing the installation” on page 47.

The simple-swap-drive backplate controls the IDs for the internal simple-swap drive bays. The following table lists the IDs for the hard disk drives and backplate that are connected to simple-swap models.

*Table 2.*

<b>Device</b>	<b>ID</b>
Drive bay 4	0
Drive bay 5	1
Drive bay 6	2
Drive bay 7	3



## Power and signal cables for internal drives

The server uses cables to connect parallel IDE, simple-swap SATA, and SAS devices to the power supply and to the system board. (See “System-board internal connectors” on page 14 for the location of system-board connectors.) Review the following information before you connect power and signal cables to internal drives:

- The drives that are preinstalled in the server come with power and signal cables attached. If you replace any drives, remember which cable is attached to which drive.
- When you install a drive, make sure that one of the signal cable drive connectors is connected to the drive and that the connector at the other end of the signal cable is connected to the system board or a compatible adapter or controller that you have installed.
- If you have only one IDE device on a cable, it must be set as a master device.
- If two IDE devices are used on a single cable, one must be designated as the master device and the other as the subordinate device; otherwise, the server might not recognize some of the IDE devices. The master and subordinate designation is determined by switch or jumper settings on each IDE device.
- When you route a cable, make sure that it does not block the airflow to the rear of the drives or over the microprocessor or DIMMs.

The following cables are provided:

- **Power cables:** Four-wire power cables connect the drives to the power supply. At the end of these cables are plastic connectors that can be attached to different drives; these connectors vary in size. Use either a four-wire power cable or SATA power cable with SATA drives, but do not use both at the same time (use one or the other).
- **Signal cables:** Signal cables are typically flat cables, also called ribbon cables, that connect parallel IDE, SATA, SAS, and diskette drives to the system board. Two or three types of signal cables come with the server:
  - **IDE:** The wider IDE signal cable has three connectors. One of these connectors is attached to the drive, one is a spare, and the third is attached to the primary or secondary IDE connector on the system board. The spare connector can be used to connect an additional IDE drive to the server.  
The CD drive is attached to an ATA 100 signal cable. ATA 100 signal cables are color-coded. The blue connector is attached to the system board. The black connector is attached to the master IDE device. The gray middle connector is attached to the subordinate IDE device.
  - **(Optional) Diskette drive:** The narrower signal cable has two connectors. One is attached to the diskette drive, and the other is attached to the connector (FDD1) on the system board.
  - **Simple-swap SATA:** Simple-swap SATA models come with four SATA cables that are already connected to the system board and the back panel at the rear of the simple-swap drives.
  - **Hot-swap SATA:** Hot-swap SATA models come with a single data cable that connects the SAS/SATA controller to the hot-swap backplane. This cable provides inherent connectivity for the four SATA drives that the server supports. Therefore, additional cabling is not required for these drives.
  - **SAS:** Hot-swap SAS models come with a single data cable that connects the SAS/SATA controller to the hot-swap backplane. This cable provides inherent connectivity for the four SAS drives that the server supports. Therefore, additional cabling is not required for these drives.

For more information about the requirements for SAS cable and connecting SAS devices, see the documentation that comes with these devices.

For a list of supported optional devices for the server, see <http://www.ibm.com/servers/eserver/serverproven/compat/us/>.

---

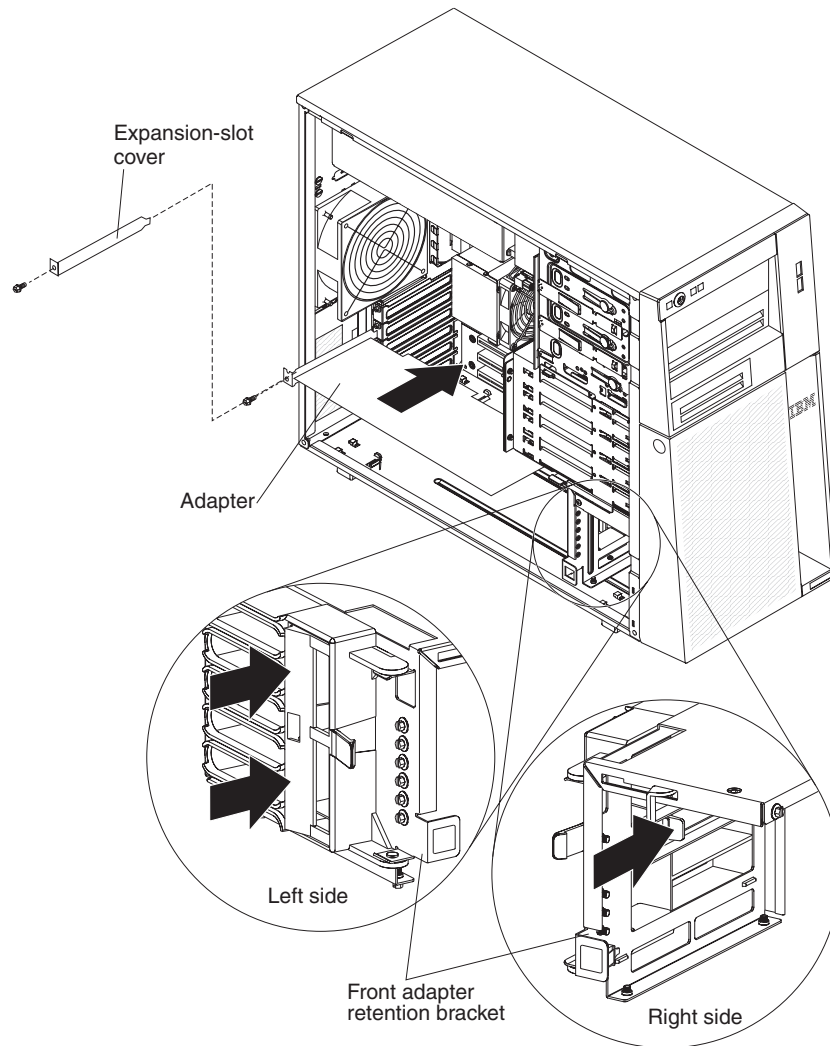
## Installing an adapter

The following notes describe the types of adapters that the server supports and other information that you must consider when installing an adapter.

- Locate the documentation that comes with the adapter and follow those instructions in addition to the instructions in this section. If you have to change the switch setting or jumper settings on the adapter, follow the instructions that come with the adapter.
- Read the documentation that comes with your operating system.
- The server comes with three PCI slots and two PCI Express slots on the main system board.
- You can install full-length adapters that are included in the ServerProven® list in slots 1 through 6 (depending on your model).
- The 32-bit slots 3, 4, and 5 support 5.0 V keyed PCI adapters; they do not support 3.3 V keyed adapters. Universal adapters are supported in slots 3, 4, and 5 if they are universally keyed.
- An optional IBM Remote Supervisor Adapter II can be installed only in its dedicated connector on the system board. See “System-board internal connectors” on page 14 for the location of the connector. For additional information, see the documentation that comes with this adapter.
- When you start the server for the first time after you install a Remote Supervisor Adapter II, the startup process will take several minutes longer than a typical startup.
- The optional ServeRAID-8s adapter can be installed only in PCI Express x8 slot 2.
- The server scans PCI Express x1 slot 1, PCI Express x8 slot 2, PCI slots 3, 4, and 5 to assign system resources. Then, the server starts the PCI devices in the following order, if you have not changed the default startup sequence: PCI Express x1 slot 1, PCI Express x8 slot 2, PCI slot 3, PCI slot 4, and PCI slot 5.
- For a list of supported optional devices for the server, see <http://www.ibm.com/servers/eserver/serverproven/compat/us/>.

**Attention:** Static electricity that is released to internal server components when the server is powered-on might cause the server to stop, which could result in the loss of data. To avoid this potential problem, always use an electrostatic-discharge wrist strap or other grounding system when working inside the server with the power on.

See “System-board connectors” on page 17 for the locations of the expansion slots and the Remote Supervisor Adapter II SlimLine connector.

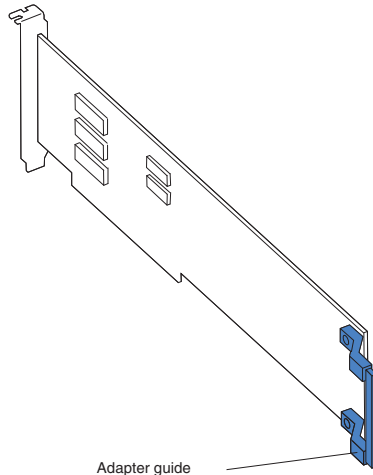


To install an adapter, complete the following steps:

1. Read the safety information that begins on page v and “Installation guidelines” on page 18.
2. Turn off the server and peripheral devices and disconnect all external cables and power cords; then, remove the side cover. See “Removing the side cover” on page 21.
3. Follow the cabling instructions, if any, that come with the adapter. Route the adapter cables before you install the adapter.
4. Follow the instructions that come with the adapter to set jumpers or switches, if any.
5. Rotate the rear adapter-retention bracket to the open (unlocked) position and remove it from the server.
6. Remove the screw that secures the expansion-slot cover to the chassis. Store the expansion-slot cover and screw in a safe place for future use.

**Note:** Expansion-slot covers must be installed on all vacant slots. This maintains the electronic emissions standards of the server and ensures proper ventilation of server components.

7. Touch the static-protective package that contains the adapter to any unpainted metal surface on the server. Then, remove the adapter from the static-protective package. Avoid touching the components and gold-edge connectors on the adapter.
8. If you are installing a full-length adapter, remove the blue adapter guide (if any) from the end of the adapter.



9. Carefully grasp the adapter by the top edge or upper corners, and align it with the expansion slot guides; then, press the adapter *firmly* into the expansion slot. Move the adapter directly from the static-protective package to the expansion slot.
10. Install an expansion-slot screw at the rear of the adapter.
11. If you are installing a full-length adapter, press on the release lever on the right side of the front adapter-retention bracket to release the retaining tab on the left side of the bracket.
12. Connect required cables to the adapter. Route cables so that they do not block the flow of air from the fans.
13. Reinstall the rear adapter-retention bracket; then, rotate the bracket to the closed (locked) position.

**Note:** If any adapters in the server are large or have heavy cables attached to them, you can remove the rear adapter-retention bracket and secure all of the adapters with expansion-slot screws.

If you have other devices to install or remove, do so now; otherwise, go to “Completing the installation” on page 47.

---

## Cabling the optional ServeRAID-8s controller

When you install the optional ServeRAID-8s controller card, follow the instructions in the following sections to route the cables in the server (depending on your model).

### Installing the simple-swap SATA cable

The following is an illustration of the optional 4-drop combination signal and power simple-swap SATA cable for cabling the ServeRAID-8s controller card in simple-swap SATA servers:

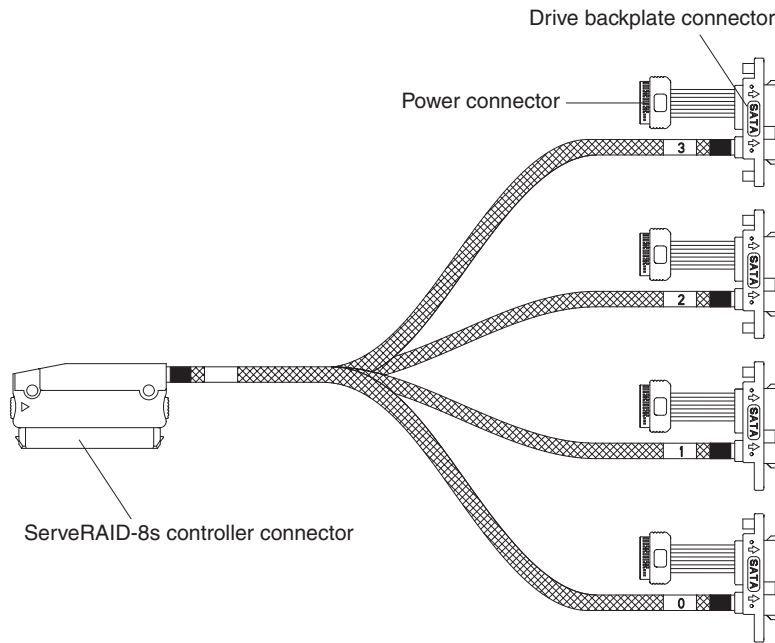
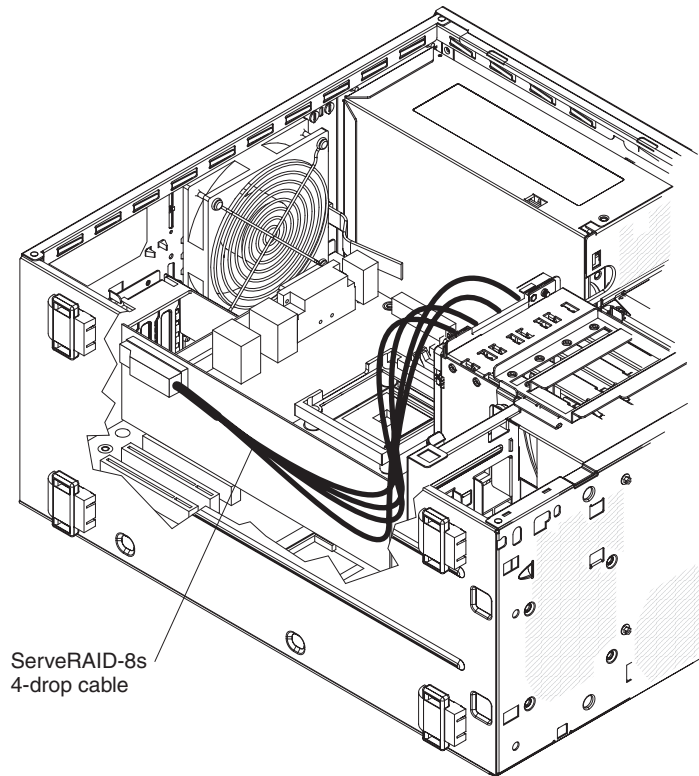


Figure 1.

To install the optional 4-drop combination signal and power simple-swap SATA cable, complete the following steps:

1. Read the safety information that begins on page v and “Installation guidelines” on page 18.
2. Turn off the server and all attached devices; then, disconnect all power cords and external cables.
3. Unlock and remove the side cover (see “Removing the side cover” on page 21).
4. Remove the front system fan assembly:
  - a. Disconnect the fan assembly cable from the system board and make a note of where the cable was connected for later installation.
  - b. Press and hold the drive cage release tab on the side of the drive cage; then, rotate the drive cage out of the chassis until the retaining tab on top of the cage locks into place.
  - c. Pull out on the front system fan assembly release tabs (at the blue dots); then, rotate the fan assembly away from the drive cage slightly.
  - d. Remove the cables from the slots on the fan assembly and remove the fan assembly from the drive cage.
5. Disconnect the existing SATA controller cable from the hard disk drive backplate and from the controller; then, remove them from the server.
6. Connect the ServeRAID-8s controller connector end (see Figure 1) of the optional 4-drop combination signal and power simple-swap SATA cable to the ServeRAID-8s controller card; then, for each installed drive, attach one drop from the 4-drop end of the cable to the drive backplate connector (see Figure 1) on the drive cage backplate and connect the power connector to a power drop on the system power cable. Route the cable as shown in the following illustration.



7. Replace the front system fan assembly.
  - a. Insert the fan assembly retaining tab over the right edge of the hard disk drive backplate; then, rotate the fan assembly toward the backplate. Do not fully close the fan assembly.
  - b. Route the 4-drop end of the combination signal and power cable through one of the slots on the edge of the fan assembly; then, route the hard disk drive power drop cable through the other slot on the edge of the fan assembly. Ensure that the cables will not be pinched between the fan assembly and the hard disk drive backplate when the fan assembly is installed.
  - c. Rotate the fan assembly toward the backplate until the release tabs are fully engaged.
  - d. Rotate the drive cage back into the server until it stops; then, press and hold the retaining tab on top of the drive cage while rotating the drive cage into the chassis until it locks into place.
8. Reconnect the fan assembly cable to the system board.

**Note:** Before you continue, check all internal power cables to make sure that they are connected to the system board and other optional devices.

9. Install the side cover (see “Reinstalling the side cover” on page 49).
10. Lock the side cover.
11. Reconnect the external cables and power cords; then, turn on the attached devices and turn on the server.

## Installing the hot-swap SAS/SATA cable

The following is an illustration of the optional single-drop hot-swap SAS/SATA cable for cabling the ServeRAID-8s controller card in hot-swap SAS and hot-swap SATA

servers:

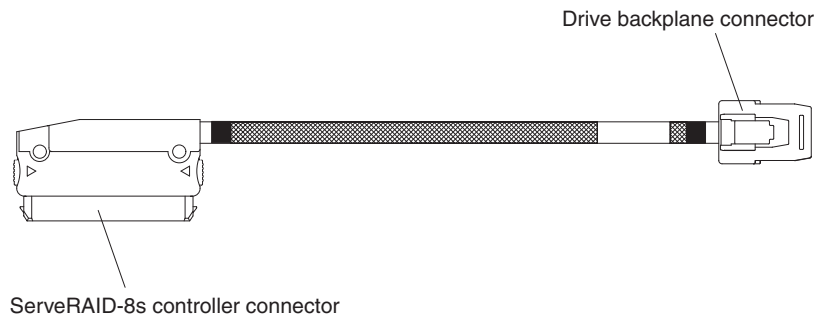
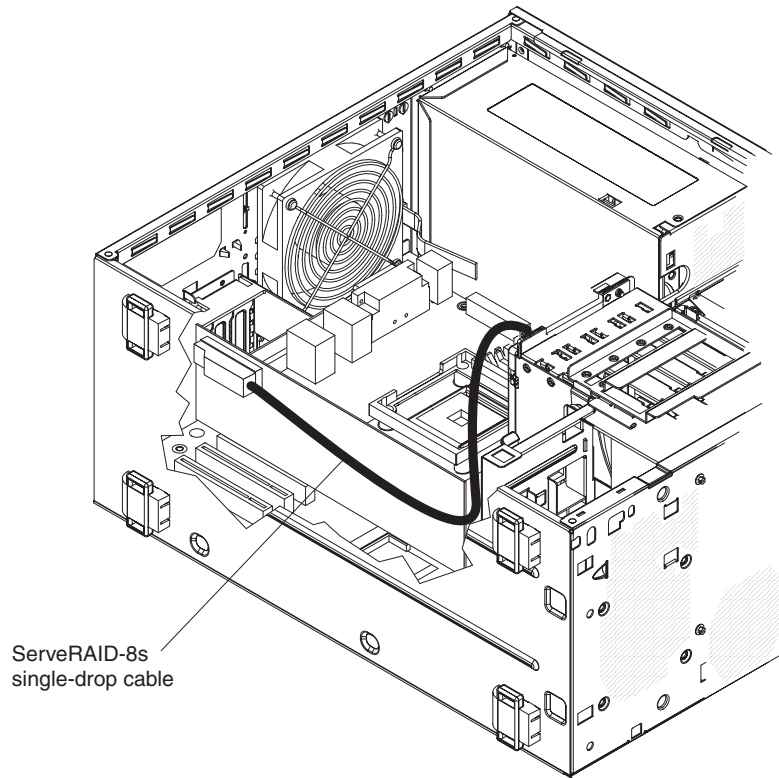


Figure 2.

To install the optional single-drop hot-swap SAS/SATA cable, complete the following steps:

1. Read the safety information that begins on page v and “Installation guidelines” on page 18.
2. Turn off the server and all attached devices; then, disconnect all power cords and external cables.
3. Unlock and remove the side cover (see “Removing the side cover” on page 21).
4. Remove the front system fan assembly:
  - a. Disconnect the fan assembly cable from the system board and make a note of where the cable was connected for later installation.
  - b. Press and hold the drive cage release tab on the side of the drive cage; then, rotate the drive cage out of the chassis until the retaining tab on top of the cage locks into place.
  - c. Pull out on the front system fan assembly release tabs (at the blue dots); then, rotate the fan assembly away from the drive cage slightly.
  - d. Remove the cables from the slots on the fan assembly and remove the fan assembly from the drive cage.
5. Disconnect the existing SAS/SATA controller cable from the hard disk drive backplane and from the controller; then, remove them from the server.
6. Connect the ServeRAID-8s controller connector end (see Figure 2 ) of the optional single-drop hot-swap SAS/SATA cable to the ServeRAID-8s controller card; then, attach the other end of the cable to the hard disk drive backplane (see Figure 2 ) on the drive cage. Route the cable as shown in the following illustration.





7. Replace the front system fan assembly.
  - a. Insert the fan assembly retaining tab over the right edge of the hard disk drive backplane; then, rotate the fan assembly toward the backplane. Do not fully close the fan assembly.
  - b. Route the single-drop signal cable through one of the slots on the edge of the fan assembly; then, route the hard disk drive power drop cable through the other slot on the edge of the fan assembly. Ensure that the cables will not be pinched between the fan assembly and the hard disk drive backplane when the fan assembly is installed.
  - c. Rotate the fan assembly toward the backplane until the release tabs are fully engaged.
  - d. Rotate the drive cage back into the server until it stops; then, press and hold the retaining tab on top of the drive cage while rotating the drive cage into the chassis until it locks into place.
8. Reconnect the fan assembly cable to the system board.

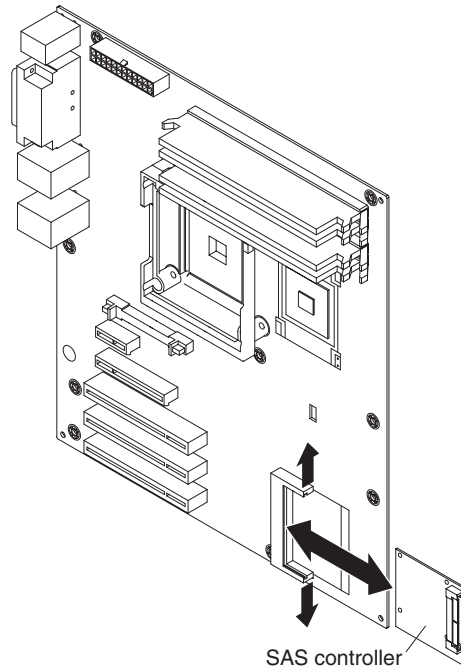
**Note:** Before you continue, check all internal power cables to make sure that they are connected to the system board and other optional devices.
9. Install the side cover (see “Reinstalling the side cover” on page 49).
10. Lock the side cover.
11. Reconnect the external cables and power cords; then, turn on the attached devices and turn on the server.



---

## Installing the SAS/SATA controller

To install the SAS/SATA controller for RAID support, complete the following steps.



1. Touch the static-protective package that contains the SAS/SATA controller to any unpainted surface on the outside of the server; then, remove the SAS/SATA controller from the package.
2. Position the SAS/SATA controller over the connector and the plastic standoff; then, press the SAS/SATA controller firmly into the connector and onto the plastic standoff.
3. Connect the signal cable to the SAS/SATA controller.
4. Install and lock the side cover (see “Reinstalling the side cover” on page 49).
5. Reconnect the external cables and power cords; then, turn on the attached devices and turn on the server.

---

## Installing a hot-swap power supply

The following notes describe the type of power supply that the server supports and other information that you must consider when you install a power supply:

- The type and number of power supplies vary by server model. The server comes with at least one power supply.
- Some servers come with a hot-swap power supply that supports redundant mode. The redundant mode requires two operational hot-swap power supplies in the server.

This procedure applies only to server models that have hot-swap power supplies. If the server contains a non-hot-swap power supply that requires replacement, the power supply must be replaced by a service technician.

When you remove or install a hot-swap power supply, observe the following precautions.

### Statement 8:

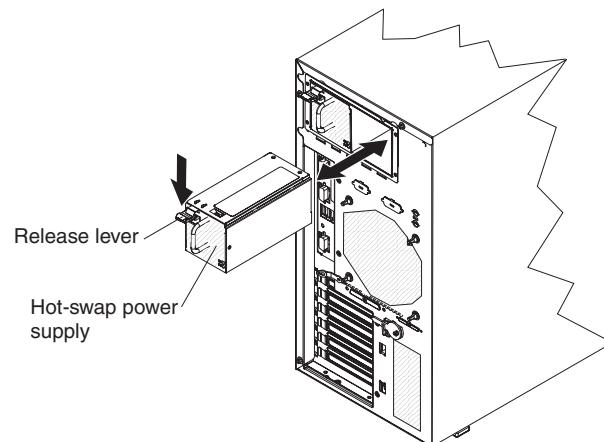


### CAUTION:

Never remove the cover on a power supply or any part that has the following label attached.



Hazardous voltage, current, and energy levels are present inside any component that has this label attached. There are no serviceable parts inside these components. If you suspect a problem with one of these parts, contact a service technician.



To replace a hot-swap power supply, complete the following steps:

1. Review the safety information that begins on page v and “Installation guidelines” on page 18.
2. Turn off the server and attached devices; then, disconnect all power cords and external cables.
3. Remove the side cover (see “Removing the side cover” on page 21).
4. Disconnect the power cord from the power supply that is to be removed.
5. Press down on the orange release lever and pull the power supply out of the bay, using the handle.
6. If you are instructed to return the hot-swap power supply, follow all packaging instructions, and use any packaging materials for shipping that are supplied to you.
7. Touch the static-protective package that contains the hot-swap power supply to any unpainted metal surface on the server; then, remove the power supply from the package and place it on a static-protective surface.
8. Place the power supply into the bay guides.
9. Press down on the orange release lever and push the power supply toward the front of the chassis until it locks into place.
10. Connect one end of the power cord into the connector on the back of the power supply and connect the other end of the power cord into a properly grounded electrical outlet.
11. Make sure that both the ac and dc power LEDs on the rear of the power supply are lit, indicating that the power supply is operating correctly.
12. Install the side cover (see “Reinstalling the side cover” on page 49).
13. Connect the external cables and power cords.

If you have other devices to install or remove, do so now; otherwise go to “Completing the installation” on page 47.

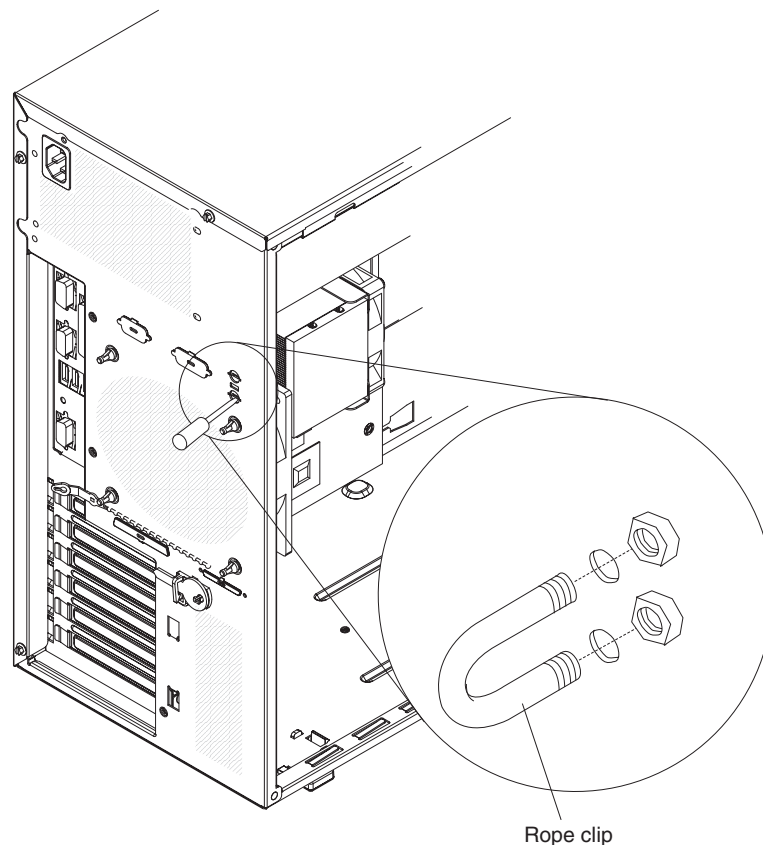
---

## Installing a security rope clip

To help prevent hardware theft, you can add a security rope clip and cable to the server. After you add the security cable, make sure that it does not interfere with other cables that are connected to the server.

Before you begin, obtain the following items:

- A flat-blade screwdriver
- An adjustable wrench
- A 19 mm (0.75 in.) rope clip or wire rope (similar to National Manufacturing number 3230, stock number 176-735)
- Threaded nuts that fit the rope clip
- A security cable
- A lock, such as a combination lock or padlock



To install a rope clip, complete the following steps:

1. Turn off the server and all attached devices. Disconnect all external cables and power cords; then, remove the side cover. See “Removing the side cover” on page 21.
2. Use a screwdriver to remove the two metal knockouts.
3. Insert the rope clip through the rear panel; then, attach and tighten the nuts.
4. Thread the cable through the rope clip and around an object that is not part of or permanently secured to the building structure or foundation, and from which

the cable cannot be removed. Fasten the cable ends together with a lock. After you add the security cable, make sure that it does not interfere with other cables that are connected to the server.

If you have other devices to install or remove, do so now; otherwise, go to “Completing the installation.”

---

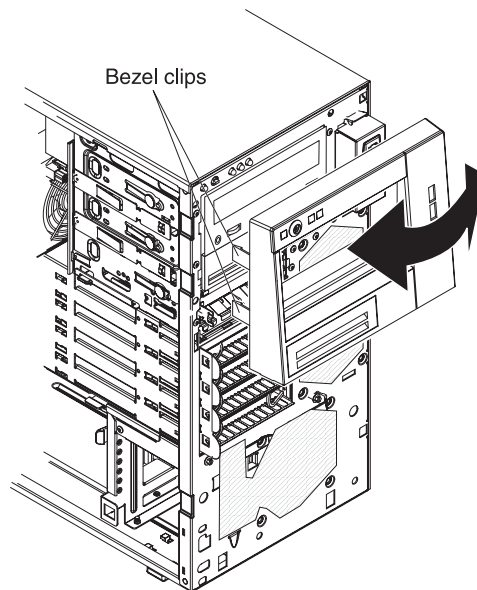
## Completing the installation

To complete the installation, you must reinstall the two-piece bezel, reinstall the side cover, connect all the cables and, for some devices, run the Configuration/Setup Utility program. Follow the instructions in this section.

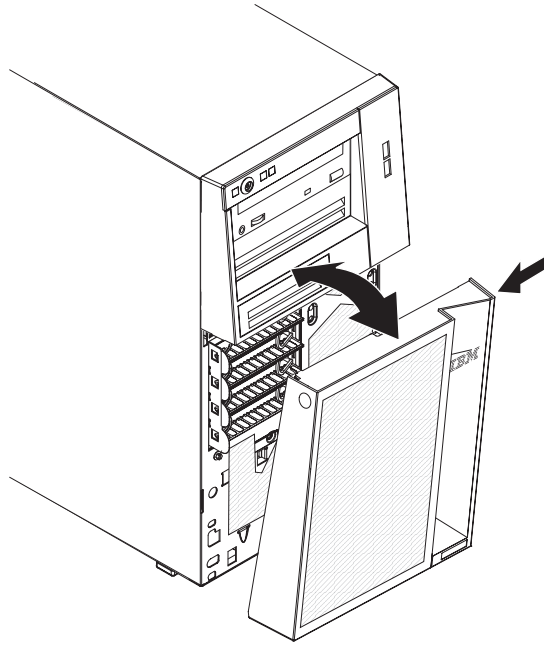
### Reinstalling the two-piece bezel

To reinstall the two-piece bezel, complete the following steps:

1. Install the upper bezel on the front of the server chassis:
  - a. Insert the two right-side tabs on the upper bezel into the matching holes on the right side of the chassis.
  - b. Rotate the upper bezel to the left side of the chassis and press the bezel clips into the matching indentations on the left side of the chassis until the bezel clips snap into place.



2. Install the lower bezel on the front of the server chassis.

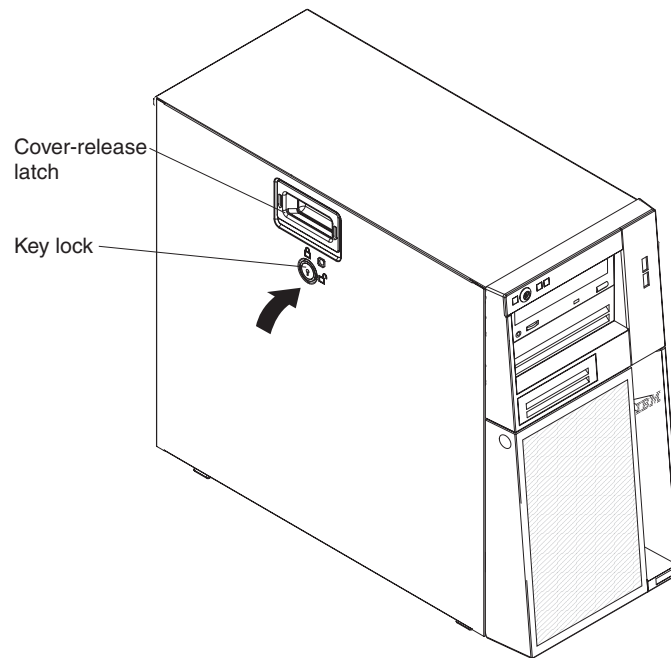


- a. Insert the two bottom tabs on the lower bezel into the matching holes in the front of the chassis.
- b. Tilt the top of the lower bezel into position on the chassis until the lower bezel locks securely into place.

## Reinstalling the side cover

If you removed the bezel, reinstall it before you reinstall the side cover. See “Reinstalling the two-piece bezel” on page 47.

**Note:** The rear adapter-retention bracket rests against the server side cover. You might find it easier to lay the server on its side to replace the side cover.



To reinstall the side cover, complete the following steps:

1. Before you install the side cover, make sure that all cables, adapters, and other components are installed and seated correctly and that you have not left loose tools or parts inside the server. Also, make sure that all internal cables are correctly routed.

**Note:** The cover-release latch must be in the unlocked (opened) position before you install the side cover.

2. Insert the tabs inside the cover into the slots on the server chassis.

**Note:** Make sure that each tab on the side cover is in its corresponding slot you close the cover-release latch.

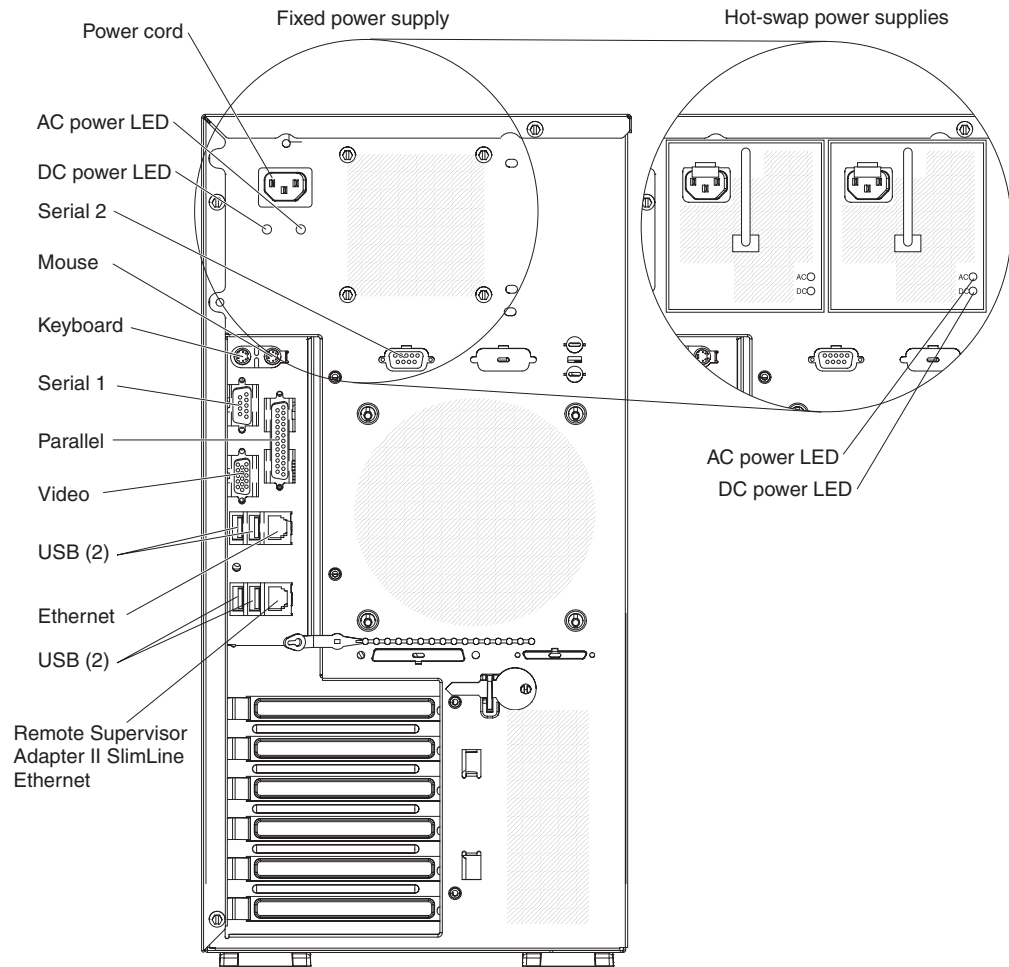
3. Close the cover-release latch to secure the side cover in place.
4. Lock the side cover.

## Connecting the cables

**Attention:** To prevent damage to equipment, connect the power cords last.

If the server cables and connector panel have color-coded connectors, match the color of each cable end with the color of the connector. For example, match a blue cable end to a blue connector on the panel, a red cable end with a red connector, and so on.

The following illustration shows the input/output (I/O) connectors on the rear of the server.



## Updating the server configuration

When you start the server for the first time after you add or remove an internal or external device, you might receive a message that the configuration has changed. The Configuration/Setup Utility program starts automatically so that you can save the new configuration settings. See "Using the Configuration/Setup Utility program" on page 54 for additional information.

Some options have device drivers that you must install. For information about installing device drivers, see the documentation that comes with each option.



If the server has a ServeRAID adapter and you have installed or removed a hard disk drive, see the ServeRAID documentation that comes with the server for information about reconfiguring the disk arrays.

---

## Connecting external devices

If you install an optional adapter that the server supports, you can attach external devices to the server.

To attach an external device, complete the following steps:

1. Read the safety information that begins on page v, “Installation guidelines” on page 18, and the documentation that comes with the device.
2. Turn off the server and all attached devices.
3. Follow the instructions that come with the device to prepare it for installation and to connect it to the server.

**Note:** If you are attaching an external device, see the documentation that comes with the device for information about cabling.

---

## Installing the server in a rack

An optional Tower-to-Rack Kit is needed to convert the server from a tower model to a rack model. You can then install the server in a rack cabinet. To order a Tower-to-Rack Kit for the server, contact your IBM marketing representative or authorized reseller.



---

## Chapter 3. Configuring the server

The following configuration programs are available to configure the server:

- **Configuration/Setup Utility program**

The Configuration/Setup Utility program is part of the basic input/output system (BIOS) code in the server. You can use this program to configure serial port assignments, change interrupt request (IRQ) settings, change the device startup sequence, set the date and time, set passwords, and set the chassis intrusion detector. For information about using this utility program, see “Using the Configuration/Setup Utility program” on page 54.

- **IBM ServerGuide Setup and Installation CD**

The ServerGuide program provides software-setup tools and installation tools that are designed for the server. Use this CD during the installation of the server to configure basic hardware features, such as an integrated SAS/SATA controller with RAID capabilities, and to simplify the installation of the operating system. For information about using this CD, see “Using the ServerGuide Setup and Installation CD” on page 57.

- **Boot Menu program**

The Boot Menu program is part of the BIOS code in the server. Use it to temporarily assign a device to be first in the startup sequence, overriding the startup sequence that is set in the Configuration/Setup Utility program. For information about using this utility program, see “Using the Boot Menu program” on page 59.

- **Broadcom NetXtreme Gigabit Ethernet Boot Agent**

The Broadcom NetXtreme Gigabit Ethernet Boot Agent is part of the BIOS. You can use it to configure the network as a startable device, and you can customize where the network Startup optional devices occurs in the startup sequence. Enable and disable the Broadcom NetXtreme Gigabit Ethernet Boot Agent from the Configuration/Setup Utility program. For information, see “Enabling the Broadcom NetXtreme Gigabit Ethernet Boot Agent” on page 60.

- **Broadcom NetXtreme Gigabit Ethernet controller configuration**

To configure the integrated Gigabit Ethernet controller, see “Configuring the Broadcom NetXtreme Gigabit Ethernet controller” on page 60.

- **LSI Configuration Utility program**

Use the LSI Configuration Utility program to configure the integrated SAS controller with RAID capabilities and the devices that are attached to it. For information about using this program, see “LSI Configuration Utility program” on page 61.

The following table lists the different server configurations and the applications available for configuring and managing RAID arrays.

Table 3.

Server configuration	RAID array configuration (before operating system is installed)	RAID array management (after operating system is installed)
Integrated SATA and no SAS controller card installed	None	None
SAS/SATA controller card (LSI 1064) installed	LSI Utility (BIOS Utility CTRL+C), ServerGuide	MyStorage (for monitoring storage only)

Table 3. (continued)

Server configuration	RAID array configuration (before operating system is installed)	RAID array management (after operating system is installed)
ServeRAID-8s adapter installed	ServeRAID Manager Hardware Boot CD, BIOS Utility (CTRL+A), ServerGuide	ServeRAID Manager, ARCCONF (CLI)

## Using the Configuration/Setup Utility program

This section provides instructions for starting the Configuration/Setup Utility program and descriptions of the menu choices that are available.

### Starting the Configuration/Setup Utility program

To start the Configuration/Setup Utility program, complete the following steps:

1. Turn on the server. If the server is already on when you start this procedure, you must shut down the operating system, turn off the server, wait a few seconds until all in-use LEDs are turned off, and restart the server.
2. When the message Press F1 for Configuration/Setup, Press F12 for Boot Menu is displayed, press F1. (This prompt is displayed on the screen for only a few seconds. You must press F1 quickly.) If you have set both a power-on password and an administrator password, you must type the administrator password to access the full Configuration/Setup Utility menu. If you do not type the administrator password a limited Configuration/Setup Utility menu is available.
3. Follow the instructions on the screen.

### Configuration/Setup Utility menu choices

The following choices are on the Configuration/Setup Utility main menu. Depending on the version of the BIOS code, some menu choices might differ slightly from these descriptions.

**Note:** When you use the server for the first time, you might want to use the Configuration/Setup Utility menu choice **Load Default Settings** to reset the Configuration/Setup Utility menu choices to the factory default settings, in case they were changed before you received the server. Otherwise, some choices might not be displayed in the menu.

- **System Summary**

Select this choice to view configuration information, including the amount of installed memory. When you make configuration changes through other choices in the Configuration/Setup Utility program, the changes are reflected in the system summary; you cannot change settings directly in the system summary.

This choice is on the full and limited Configuration/Setup Utility menu.

- **Processor Summary**

Select this choice to view the processor information, including the type, speed, and cache size of the microprocessor.

- **System Information**

Select this choice to view information about the server. When you make changes through other choices in the Configuration/Setup Utility program, some of those changes are reflected in the system information; you cannot change settings directly in the system information.

This choice is on the full Configuration/Setup Utility menu only.

- **Devices and I/O Ports**

Select this choice to view or change device assignments and input/output (I/O) ports. Select this choice to enable or disable the mini-PCI Express SAS and Ethernet controllers, and standard connectors (such as serial and parallel).

**Enable** is the default setting for all controllers. If you disable a device, it cannot be configured, and the operating system will not be able to detect it (this is equivalent to disconnecting the device). If you disable the mini-PCI Express SAS controller and no SAS adapter is installed, the server will have no SAS capability. If you disable the integrated Ethernet controller and no Ethernet adapter is installed, the server will have no Ethernet capability.

This choice is on the full Configuration/Setup Utility menu only.

- **Serial Port 1**

Select this choice to set up the serial port 1.

- **Serial Port 2**

Select this choice to set up the serial port 2.

- **Parallel Port Setup**

Select this choice to setup the parallel port.

- **Remote Console Redirection**

Select this choice to enable and configure serial remote video and keyboard redirection.

- **Internal Floppy Disk**

Select this choice to disable or enable the internal diskette drive.

- **Mouse**

Select this choice to specify whether the mouse is installed or not installed.

- **Planar Ethernet**

Select this choice to disable or enable the Ethernet on the system board.

- **System MAC Address**

Select this choice to view the MAC addresses for network devices that are installed in the server.

- **Parallel ATA**

Select this choice to disable or enable the Parallel ATA.

- **Serial ATA**

Select this choice to disable or enable the Serial ATA.

- **Native Mode Operation**

Select this choice to configure the Native Mode Operation.

- **SATA Controller Mode Option**

Select this choice to configure the SATA Controller Mode Option.

- **SATA AHCI**

Select this choice to configure the SATA AHCI. This selection is hidden if the SATA Controller Mode Option is set to compatible.

- **Video**

Select this choice to view the video information.

- **Date and Time**

Select this choice to set the date and time in the server, in 24-hour format (*hour.minute:second*).

This choice is on the Configuration/Setup Utility menu only.

- **System Security**

Select this choice to set password settings. See “Using passwords” on page 57 for more information about passwords. You can also enable the chassis intrusion detector to alert you each time the server cover is removed.

- **Administrator Password**

This choice is on the full Configuration/Setup Utility menu only.

Select this choice to set or change an administrator password. An administrator password is intended to be used by a system administrator; it limits access to the full Configuration/Setup Utility menu. If an administrator password is set, the full Configuration/Setup Utility menu is available only if you type the administrator password at the password prompt.

- **Power-on Password**

Select this choice to set or change a power-on password.

- **Startup Option**

Select this choice to view or change the startup options. Changes in the startup options take effect when you restart the server.

You can set keyboard operating characteristics, such as the keyboard speed, and you can specify whether the server starts with the keyboard number lock on or off.

You can enable a virus-detecting test that checks for changes in the boot record when the server starts.

- **Startup Sequence Options**

Select this choice to view the **Startup Sequence Options** menu. The startup sequence specifies the order in which the server checks devices to find a boot record. The server starts from the first boot record that it finds.

- **Advanced Setup**

Select this choice to change values for advanced hardware features, such as CPU options and PCI configuration.

**Important:** The server might malfunction if these options are incorrectly configured. Follow the instructions on the screen carefully.

This choice is on the full Configuration/Setup Utility menu only.

- **CPU Option**

Select this choice to view the Advanced Processor Options information.

- **PCI Bus Control**

Select this choice to view the system resources that are used by the installed PCI or PCI-Express devices.

- **IPMI**

Select this choice to view the IPMI specification version, BMC hardware/firmware version, system event log, LAN settings, and to enable or disable the clear system event log and BIOS POST watchdog. **Disable** is the default setting for clearing the system event log and BIOS POST watchdog.

- **View System Event Log**

Select this choice to view the System Event Log.

- **LAN settings**

Select this choice to view the Mini-BMC, IP, subnet, and gateway addresses.

- **NMI Option**  
Select this choice to enable or disable the NMI reboot. Enabled is the default setting.
- **Error Logs**  
Select this choice to view or clear error logs.
  - **Post Error Log**  
Select this choice to view the Post Error log entries.
  - **System Event/Error Log**  
Select this choice to view the system event and error messages that the system generated during POST and runtime. Press Enter to erase the system event/error log.
- **Save Settings**  
Select this choice to save the changes that you have made in the settings.
- **Restore Settings**  
Select this choice to cancel the changes that you have made in the settings and restore the previous settings.
- **Load Default Settings**  
Select this choice to cancel the changes that you have made in the settings and restore the factory settings.
- **Exit Setup**  
Select this choice to exit from the Configuration/Setup Utility program. If you have not saved the changes that you have made in the settings, you are asked whether you want to save the changes or exit without saving them.

## Using passwords

You can use any combination of up to seven characters (A–Z, a–z, and 0–9) for the power-on (user) password or the administrator password.

If you set both a power-on password and an administrator password, you can type either password at the password prompt that appears as you start the server. However, if you want to change the settings in the Configuration/Setup Utility program, you must type the administrator password to access the full Configuration/Setup Utility menu. If you type the power-on password, you have access to only the limited Configuration/Setup Utility menu.

Keep a record of the passwords in a secure place. If you forget the power-on or administrator password, you can regain access to the server through one of the following methods:

- If you have forgotten the power-on password and an administrator password is set, type the administrator password at the power-on password prompt. Start the Configuration/Setup Utility program and change the power-on password.
- Remove the battery and then install the battery.

---

## Using the ServerGuide Setup and Installation CD

The *ServerGuide Setup and Installation* CD contains a setup and installation program that is designed for your server. The ServerGuide program detects the server model and optional hardware devices that are installed and uses that information during setup to configure the hardware. The ServerGuide program simplifies operating-system installations by providing updated device drivers and, in some cases, installing them automatically.

If the *ServerGuide Setup and Installation* CD did not come with the server, you can download the latest version of the ServerGuide program. You can download a free image of the *ServerGuide Setup and Installation* CD, or you can purchase the CD. To download the image, go to the IBM ServerGuide Web page at <http://www.ibm.com/pc/qtechinfo/MIGR-4ZKPPT.html>. To purchase the latest *ServerGuide Setup and Installation* CD, go to the ServerGuide fulfillment Web site at [http://www.ibm.com/servers/eserver/xseries/systems\\_management/serverguide/sub.html](http://www.ibm.com/servers/eserver/xseries/systems_management/serverguide/sub.html).

The ServerGuide program has the following features:

- An easy-to-use interface
- Diskette-free setup, and configuration programs that are based on detected hardware
- ServeRAID Manager program, which configures your ServeRAID adapter or integrated SAS controller with RAID capabilities
- Device drivers that are provided for the server model and detected hardware
- File-system type that is selectable during setup

## ServerGuide features

Features and functions can vary slightly with different versions of the ServerGuide program. To learn more about the version that you have, start the *ServerGuide Setup and Installation* CD and view the online overview. Not all features are supported on all server models.

The ServerGuide program requires a supported IBM server with an enabled startable (bootable) CD drive. In addition to the *ServerGuide Setup and Installation* CD, you must have the operating-system CD to install the operating system.

The ServerGuide program performs the following tasks:

- Sets system date and time
- Detects an installed SAS RAID adapter or controller and runs the SAS RAID configuration program
- Checks the microcode (firmware) levels of a ServeRAID adapter and determines whether a later level is available from the CD
- Detects installed optional hardware devices and provides updated device drivers for most adapters and devices
- Provides diskette-free installation for supported Windows operating systems
- Includes an online readme file with links to tips for your hardware and operating system installation

## Setup and configuration overview

When you use the *ServerGuide Setup and Installation* CD, you do not need setup diskettes. You can use the CD to configure any supported IBM server model. The setup program provides a list of tasks that are required to set up the server model. On a server with a ServeRAID adapter or integrated SAS/SATA controller with RAID capabilities, you can run the Adaptec RAID configuration programs to create logical drives.

**Note:** Features and functions can vary slightly with different versions of the ServerGuide program.

When you start the *ServerGuide Setup and Installation* CD, the program prompts you to complete the following tasks:



- Select your language.
- Select your keyboard layout and country.
- View the overview to learn about ServerGuide features.
- View the readme file to review installation tips for your operating system and adapter.
- Start the operating-system installation. You will need your operating-system CD.

## Typical operating system installation

The ServerGuide program can reduce the time it takes to install an operating system. It provides the device drivers that are required for your hardware and for the operating system that you are installing. This section describes a typical ServerGuide operating-system installation.

**Note:** Features and functions can vary slightly with different versions of the ServerGuide program.

1. After you have completed the setup process, the operating-system installation program starts. (You will need your operating-system CD to complete the installation.)
2. The ServerGuide program stores information about the server model, service processor, hard disk drive controllers, and network adapters. Then, the program checks the CD for newer device drivers. This information is stored and then passed to the operating-system installation program.
3. The ServerGuide program prompts you to insert your operating-system CD and restart the server. At this point, the installation program for the operating system takes control to complete the installation.

## Installing your operating system without using ServerGuide

If you have already configured the server hardware and you are not using the ServerGuide program to install your operating system, complete the following steps to download the latest operating-system installation instructions from the IBM Web site:

**Note:** Changes are made periodically to the IBM Web site. The actual procedure might vary slightly from what is described in this document.

1. Go to <http://www.ibm.com/servers/eserver/support/xseries/index.html/>
2. From the **Hardware** list, select **System x3200** and click **Go**.
3. Click the **Install and use tab**.
4. Click **Product documentation**.
5. Select the installation instructions for your operating system.

---

## Using the Boot Menu program

The Boot Menu program is a built in, menu-driven configuration utility program that you can use to temporarily redefine the first startup device without changing settings in the Configuration/Setup Utility program.

To use the Boot Menu program, complete the following steps:

1. Restart the server.
2. Press F12.
3. Select the startup device.

The next time the server is started, it returns to the startup sequence that is set in the Configuration/Setup Utility program.

---

## Enabling the Broadcom NetXtreme Gigabit Ethernet Boot Agent

The Broadcom NetXtreme Gigabit Ethernet Boot Agent is part of the BIOS. You can use it to configure the network as a startable device, and you can customize where the network Startup optional devices occur in the startup sequence. Enable and disable the Broadcom NetXtreme Gigabit Ethernet Boot Agent from the Configuration/Setup Utility program.

To enable the Broadcom NetXtreme Gigabit Ethernet boot agent, complete the following steps:

1. From the Configuration/Setup Utility main menu, select **Startup Option** and press Enter.
2. Select **Planar Ethernet PXE/DHCP** and use the Right Arrow (→) key to set it to **Planar Ethernet**.
3. Under the **Startup Option**→ **Startup Sequence Options** menu choice, set the network-planar device as the first startup device.
4. Select **Save Settings** and press Enter.

---

## Configuring the Broadcom NetXtreme Gigabit Ethernet controller

The Ethernet controller is integrated on the system board. It provides an interface for connecting to a 10 Mbps, 100 Mbps, or 1 Gbps network and provides full duplex (FDX) capability, which enables simultaneous transmission and reception of data on the network. If the Ethernet port in the server supports auto-negotiation, the controller detects the data-transfer rate (10BASE-T, 100BASE-TX, or 1000BASE-T) and duplex mode (full-duplex or half-duplex) of the network and automatically operates at that rate and mode.

You do not have to set any jumpers or configure the controller. However, you must install a device driver to enable the operating system to address the controller. For device drivers and information about configuring the Ethernet controller, see the *Broadcom NetXtreme Gigabit Ethernet Software CD* that comes with the server. To find updated information about configuring the controller, complete the following steps.

**Note:** Changes are made periodically to the IBM Web site. The actual procedure might vary slightly from what is described in this document.

1. Go to <http://www.ibm.com/servers/eserver/support/xseries/index.html/>
2. From the **Hardware** list, select **System x3200** and click **Go**.
3. Click the **Install and use tab**.
4. Click **Product documentation**.

---

## LSI Configuration Utility program

Use the LSI Configuration Utility program to configure and manage redundant array of independent disks (RAID) arrays. Be sure to use this program as described in this document.

### Notes:

1. If the server is a simple-swap SATA model and you have installed an optional IBM Simple-swap SAS/SATA Adapter Option Kit (for RAID support), you can use the LSI Logic Configuration Utility program to configure the simple-swap SATA hard disk drives.
  2. If you install an optional RAID controller in the server, such as the ServeRAID-8s controller, use the configuration software that comes with the adapter to configure the hard disk drives.
- Use the LSI Configuration Utility program to:
    - Perform a low-level format on a hard disk drive
    - Create an array of hard disk drives with or without a hot-spare drive
    - Set protocol parameters on hard disk drives

The integrated SAS/SATA controller with RAID capabilities supports RAID arrays. You can use the LSI Configuration Utility program to configure RAID 1 (IM), RAID 1E (IME), and RAID 0 (IS) for a single pair of attached devices. If you install a different type of RAID adapter, follow the instructions in the documentation that comes with the adapter to view or change settings for attached devices.

In addition, you can download an LSI command-line configuration program from <http://www.ibm.com/support/>.

When you are using the LSI Configuration Utility program to configure and manage arrays, consider the following information:

- The integrated SAS/SATA controller with RAID capabilities supports:
  - Integrated Mirroring (IM) with hot-spare support (also known as RAID 1)  
Use this option to create an integrated array of two disks plus an optional hot spare. All data on the primary disk can be migrated.
  - Integrated Mirroring Enhanced (IME) with hot-spare support (also known as RAID 1E)  
Use this option to create an integrated mirror enhanced array of three to eight disks, including an optional hot spare.
  - Integrated Striping (IS) (also known as RAID 0)  
Use this option to create an integrated striping array of two to eight disks. All data on the array disk will be deleted.
- Hard disk drive capacities affect how you create arrays. The drives in an array can have different capacities, but the RAID controller treats them as if they all have the capacity of the smallest hard disk drive.
- If you use an integrated SAS/SATA controller with RAID capabilities to configure a RAID 1 (mirrored) array after you have installed the operating system, you will lose access to any data or applications that were previously stored on the secondary drive of the mirrored pair.
- If you install a different type of RAID controller, see the documentation that comes with the controller for information about viewing and changing settings for attached devices.

## Starting the LSI Configuration Utility program

To start the LSI Configuration Utility program, complete the following steps:

1. Turn on the server.
2. When the prompt <<< Press <CTRL><C> to start LSI Configuration Utility >>> is displayed, press Ctrl+C. If you have set an administrator password, you are prompted to type the password.
3. To select a controller (channel) from the list of adapters, use the arrow keys and press Enter.
4. To change the settings of the selected items, follow the instructions on the screen. If you select **Raid Properties**, **SAS Topology**, or **Advanced Adapter Properties** additional screens are displayed.

When you have finished changing settings, press Esc to exit from the program; select **Save** to save the settings that you have changed.

## Formatting a hard disk drive

Low-level formatting removes all data from the hard disk. If there is data on the disk that you want to save, back up the hard disk before you perform this procedure.

**Note:** Before you format a hard disk, make sure that the disk is not part of a mirrored pair.

To format a drive, complete the following steps:

1. From the list of adapters, select the controller (channel) for the drive that you want to format and press Enter.
2. Select **SAS Topology** and press Enter.
3. Select **Direct Attach Devices** and press Enter.
4. To highlight the drive that you want to format, use the Up Arrow and Down Arrow keys. To scroll left and right, use the Left Arrow and Right Arrow keys or the End key. Press Alt+D.
5. To start the low-level formatting operation, select **Format** and press Enter.

## Creating a RAID array of hard disk drives

To create a RAID array of hard disk drives, complete the following steps:

1. From the list of adapters, select the controller (channel) for the drives that you want to mirror.
2. Select **RAID Properties**.
3. Select the type of array that you want to create.
4. Use the arrow keys to highlight the first drive in the pair; then, press the Minus (-) or Plus (+) key to change the mirror value to **Primary**.
5. Continue to select the next drive using the Minus (-) or Plus (+) key until you have all the drives for your array.
6. Press C to create the disk array.
7. Select **Apply changes and exit menu** to create the array.

---

## Appendix. Notices

This information was developed for products and services offered in the U.S.A.

IBM may not offer the products, services, or features discussed in this document in other countries. Consult your local IBM representative for information on the products and services currently available in your area. Any reference to an IBM product, program, or service is not intended to state or imply that only that IBM product, program, or service may be used. Any functionally equivalent product, program, or service that does not infringe any IBM intellectual property right may be used instead. However, it is the user's responsibility to evaluate and verify the operation of any non-IBM product, program, or service.

IBM may have patents or pending patent applications covering subject matter described in this document. The furnishing of this document does not give you any license to these patents. You can send license inquiries, in writing, to:

*IBM Director of Licensing  
IBM Corporation  
North Castle Drive  
Armonk, NY 10504-1785  
U.S.A.*

INTERNATIONAL BUSINESS MACHINES CORPORATION PROVIDES THIS PUBLICATION "AS IS" WITHOUT WARRANTY OF ANY KIND, EITHER EXPRESS OR IMPLIED, INCLUDING, BUT NOT LIMITED TO, THE IMPLIED WARRANTIES OF NON INFRINGEMENT, MERCHANTABILITY OR FITNESS FOR A PARTICULAR PURPOSE. Some states do not allow disclaimer of express or implied warranties in certain transactions, therefore, this statement may not apply to you.

This information could include technical inaccuracies or typographical errors. Changes are periodically made to the information herein; these changes will be incorporated in new editions of the publication. IBM may make improvements and/or changes in the product(s) and/or the program(s) described in this publication at any time without notice.

Any references in this information to non-IBM Web sites are provided for convenience only and do not in any manner serve as an endorsement of those Web sites. The materials at those Web sites are not part of the materials for this IBM product, and use of those Web sites is at your own risk.

IBM may use or distribute any of the information you supply in any way it believes appropriate without incurring any obligation to you.

---

## Trademarks

The following terms are trademarks of International Business Machines Corporation in the United States, other countries, or both:

Active Memory	IBM	TechConnect
Active PCI	IBM (logo)	Tivoli
Active PCI-X	IntelliStation	Tivoli Enterprise
AIX	NetBAY	Update Connector
Alert on LAN	Netfinity	Wake on LAN
BladeCenter	Predictive Failure Analysis	XA-32

Chipkill  
e-business logo  
@server  
FlashCopy  
i5/OS

ServeRAID  
ServerGuide  
ServerProven  
System x

XA-64  
X-Architecture  
XpandOnDemand  
xSeries

Intel, Intel Xeon, Itanium, and Pentium are trademarks or registered trademarks of Intel Corporation or its subsidiaries in the United States and other countries.

Microsoft, Windows, and Windows NT are trademarks of Microsoft Corporation in the United States, other countries, or both.

UNIX is a registered trademark of The Open Group in the United States and other countries.

Java and all Java-based trademarks and logos are trademarks of Sun Microsystems, Inc. in the United States, other countries, or both.

Adaptec and HostRAID are trademarks of Adaptec, Inc., in the United States, other countries, or both.

Linux is a trademark of Linus Torvalds in the United States, other countries, or both.

Red Hat, the Red Hat “Shadow Man” logo, and all Red Hat-based trademarks and logos are trademarks or registered trademarks of Red Hat, Inc., in the United States and other countries.

Other company, product, or service names may be trademarks or service marks of others.

---

## Important notes

Processor speeds indicate the internal clock speed of the microprocessor; other factors also affect application performance.

CD drive speeds list the variable read rate. Actual speeds vary and are often less than the maximum possible.

When referring to processor storage, real and virtual storage, or channel volume, KB stands for approximately 1000 bytes, MB stands for approximately 1 000 000 bytes, and GB stands for approximately 1 000 000 000 bytes.

When referring to hard disk drive capacity or communications volume, MB stands for 1 000 000 bytes, and GB stands for 1 000 000 000 bytes. Total user-accessible capacity may vary depending on operating environments.

Maximum internal hard disk drive capacities assume the replacement of any standard hard disk drives and population of all hard disk drive bays with the largest currently supported drives available from IBM.

Maximum memory may require replacement of the standard memory with an optional memory module.

IBM makes no representation or warranties regarding non-IBM products and services that are ServerProven, including but not limited to the implied warranties of merchantability and fitness for a particular purpose. These products are offered and warranted solely by third parties.

IBM makes no representations or warranties with respect to non-IBM products. Support (if any) for the non-IBM products is provided by the third party, not IBM.

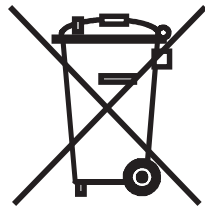
Some software may differ from its retail version (if available), and may not include user manuals or all program functionality.

---

## Product recycling and disposal

This unit must be recycled or discarded according to applicable local and national regulations. IBM encourages owners of information technology (IT) equipment to responsibly recycle their equipment when it is no longer needed. IBM offers a variety of product return programs and services in several countries to assist equipment owners in recycling their IT products. Information on IBM product recycling offerings can be found on IBM's Internet site at <http://www.ibm.com/ibm/environment/products/prp.shtml>.

Esta unidad debe reciclarse o desecharse de acuerdo con lo establecido en la normativa nacional o local aplicable. IBM recomienda a los propietarios de equipos de tecnología de la información (TI) que reciclen responsablemente sus equipos cuando éstos ya no les sean útiles. IBM dispone de una serie de programas y servicios de devolución de productos en varios países, a fin de ayudar a los propietarios de equipos a reciclar sus productos de TI. Se puede encontrar información sobre las ofertas de reciclado de productos de IBM en el sitio web de IBM <http://www.ibm.com/ibm/environment/products/prp.shtml>.



**Notice:** This mark applies only to countries within the European Union (EU) and Norway.

This appliance is labeled in accordance with European Directive 2002/96/EC concerning waste electrical and electronic equipment (WEEE). The Directive determines the framework for the return and recycling of used appliances as applicable throughout the European Union. This label is applied to various products to indicate that the product is not to be thrown away, but rather reclaimed upon end of life per this Directive.

注意: このマークは EU 諸国およびノルウェーにおいてのみ適用されます。

この機器には、EU 諸国に対する廃電気電子機器指令 2002/96/EC(WEEE) のラベルが貼られています。この指令は、EU 諸国に適用する使用済み機器の回収とリサイクルの骨子を定めています。このラベルは、使用済みになった時に指令に従って適正な処理をする必要があることを知らせるために種々の製品に貼られています。

**Remarque :** Cette marque s'applique uniquement aux pays de l'Union Européenne et à la Norvège.

L'étiquette du système respecte la Directive européenne 2002/96/EC en matière de Déchets des Equipements Electriques et Electroniques (DEEE), qui détermine les dispositions de retour et de recyclage applicables aux systèmes utilisés à travers l'Union européenne. Conformément à la directive, ladite étiquette précise que le produit sur lequel elle est apposée ne doit pas être jeté mais être récupéré en fin de vie.

In accordance with the European WEEE Directive, electrical and electronic equipment (EEE) is to be collected separately and to be reused, recycled, or recovered at end of life. Users of EEE with the WEEE marking per Annex IV of the WEEE Directive, as shown above, must not dispose of end of life EEE as unsorted municipal waste, but use the collection framework available to customers for the return, recycling, and recovery of WEEE. Customer participation is important to minimize any potential effects of EEE on the environment and human health due to the potential presence of hazardous substances in EEE. For proper collection and treatment, contact your local IBM representative.

---

## Battery return program

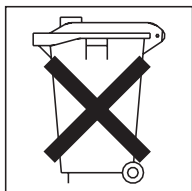
This product may contain a sealed lead acid, nickel cadmium, nickel metal hydride, lithium, or lithium ion battery. Consult your user manual or service manual for specific battery information. The battery must be recycled or disposed of properly. Recycling facilities may not be available in your area. For information on disposal of batteries outside the United States, go to <http://www.ibm.com/ibm/environment/products/batteryrecycle.shtml> or contact your local waste disposal facility.

In the United States, IBM has established a return process for reuse, recycling, or proper disposal of used IBM sealed lead acid, nickel cadmium, nickel metal hydride, and battery packs from IBM equipment. For information on proper disposal of these batteries, contact IBM at 1-800-426-4333. Have the IBM part number listed on the battery available prior to your call.

For Taiwan: Please recycle batteries.



For the European Union:





**For California:** Perchlorate material – special handling may apply. See <http://www.dtsc.ca.gov/hazardouswaste/perchlorate/>. The foregoing notice is provided in accordance with California Code of Regulations Title 22, Division 4.5 Chapter 33. Best Management Practices for Perchlorate Materials. This product/part may include a lithium manganese dioxide battery which contains a perchlorate substance.

---

## Electronic emission notices

### Federal Communications Commission (FCC) statement

**Note:** This equipment has been tested and found to comply with the limits for a Class A digital device, pursuant to Part 15 of the FCC Rules. These limits are designed to provide reasonable protection against harmful interference when the equipment is operated in a commercial environment. This equipment generates, uses, and can radiate radio frequency energy and, if not installed and used in accordance with the instruction manual, may cause harmful interference to radio communications. Operation of this equipment in a residential area is likely to cause harmful interference, in which case the user will be required to correct the interference at his own expense.

Properly shielded and grounded cables and connectors must be used in order to meet FCC emission limits. IBM is not responsible for any radio or television interference caused by using other than recommended cables and connectors or by unauthorized changes or modifications to this equipment. Unauthorized changes or modifications could void the user's authority to operate the equipment.

This device complies with Part 15 of the FCC Rules. Operation is subject to the following two conditions: (1) this device may not cause harmful interference, and (2) this device must accept any interference received, including interference that may cause undesired operation.

### Industry Canada Class A emission compliance statement

This Class A digital apparatus complies with Canadian ICES-003.

#### Avis de conformité à la réglementation d'Industrie Canada

Cet appareil numérique de la classe A est conforme à la norme NMB-003 du Canada.

### Australia and New Zealand Class A statement

**Attention:** This is a Class A product. In a domestic environment this product may cause radio interference in which case the user may be required to take adequate measures.

### United Kingdom telecommunications safety requirement

#### Notice to Customers

This apparatus is approved under approval number NS/G/1234/J/100003 for indirect connection to public telecommunication systems in the United Kingdom.

### European Union EMC Directive conformance statement

This product is in conformity with the protection requirements of EU Council Directive 89/336/EEC on the approximation of the laws of the Member States

relating to electromagnetic compatibility. IBM cannot accept responsibility for any failure to satisfy the protection requirements resulting from a nonrecommended modification of the product, including the fitting of non-IBM option cards.

This product has been tested and found to comply with the limits for Class A Information Technology Equipment according to CISPR 22/European Standard EN 55022. The limits for Class A equipment were derived for commercial and industrial environments to provide reasonable protection against interference with licensed communication equipment.

**Attention:** This is a Class A product. In a domestic environment this product may cause radio interference in which case the user may be required to take adequate measures.

## Taiwanese Class A warning statement

警告使用者：  
這是甲類的資訊產品，在居住的環境中使用時，可能會造成射頻干擾，在這種情況下，使用者會被要求採取某些適當的對策。

## Chinese Class A warning statement

聲 明  
此為 A 級產品。在生活環境中，該產品可能會造成無線電干擾。在這種情況下，可能需要用戶對其干擾採取切实可行的措施。

## Japanese Voluntary Control Council for Interference (VCCI) statement

この装置は、情報処理装置等電波障害自主規制協議会（VCCI）の基準に基づくクラスA情報技術装置です。この装置を家庭環境で使用すると電波妨害を引き起こすことがあります。この場合には使用者が適切な対策を講ずるよう要求されることがあります。

---

# Index

## A

AC power LED 11  
acoustical noise emissions 3  
adapter  
  installing 37  
  requirements 36  
  scanning order 36  
  specifications 3  
advanced setup 56  
attention notices 2  
availability features 5

## B

backplane 31, 33  
battery  
  connector 14  
  safety viii  
bay identification 27  
bays 2 and 3, removable-media drives 28  
bays 4-7  
  hot-swap drives 32  
bezel  
  installing 47  
  removing 22  
Boot Menu  
  using 59  
Broadcom NetXtreme Gigabit Ethernet Boot Agent  
  enabling 60  
  general 53

## C

cables  
  internal drives 35  
  power 35  
  rear connectors 50  
  signal 35  
caution statements 2  
CD drive  
  activity LED 9  
  eject button 9  
  installing 27  
  specifications 3  
CD or DVD drive  
  installing 28  
Class A electronic emission notice 67  
components  
  major 13  
  system board 17  
configuration  
  ServerGuide Setup and Installation CD 53  
  updating 50  
  with ServerGuide 58  
configuration programs  
  Boot Menu 53

configuration programs (*continued*)  
  Broadcom NetXtreme Gigabit Ethernet Boot Agent 53  
  Broadcom NetXtreme Gigabit Ethernet controller 53  
  Configuration/Setup Utility program 53  
  general 53  
  LSI Configuration Utility 53  
configuring  
  the Ethernet controller 60  
  the server 53  
connector  
  adapter 17  
  battery 14  
  cable 50  
  Ethernet 11  
  Ethernet Remote Supervisor Adapter II SlimLine 11  
  external 8, 10, 16  
  internal 14  
  keyboard 10  
  memory 17  
  microprocessor 17  
  mouse 10  
  parallel 10  
  power cord 10  
  serial 1 10  
  serial 2 10  
  system board 17  
  Universal Serial Bus (USB) 8, 10  
  video 10  
controller  
  Ethernet 60  
  mini-BMC 4  
controls and indicators 8  
cooling 3, 19  
cover  
  installing 49  
  removing 21  
creating  
  RAID array 62

## D

danger statements 2  
data rate, Ethernet controller 60  
device driver, update 7  
diskette drive  
  activity LED 9  
  installing 27, 30  
  specifications 3  
diskette-eject button 9  
drive  
  bay EMC shield 28, 31  
  bay identification 27  
  cables 35  
  hot-swap  
    installation 31  
    support 27  
  installing 27

- drive *(continued)*
  - removable-media 28, 30
  - simple-swap 33
- dual inline memory module (DIMM)
  - connectors 25
  - installing 25
  - retaining clips 26
- DVD drive
  - activity LED 9
  - eject button 9

## E

- eject button
  - CD 9
  - diskette 9
  - DVD 9
- electrical input 3
- electromagnetic compatibility (EMC) shield 13, 28, 31
  - removing 28
- electronic emission Class A notice 67
- EMC shield
  - removable-media drive bay 13, 28
  - removing 31
- enabling
  - Broadcom NetXtreme Gigabit Ethernet Boot Agent 60
- environment 3
- Ethernet
  - activity LED 11
  - connector 11
  - high performance modes 60
  - integrated on system board 60
  - link status LED 11
  - modes 60
  - Remote Supervisor Adapter II SlimLine connector 11
  - teaming 60
- Ethernet controller
  - configuring 60
- Ethernet controller configuration 53
- Ethernet controller, configuring 60
- expansion card connectors 17
- expansion slots 3, 17, 37
- external connectors 10, 16

## F

- FCC Class A notice 67
- features
  - mini-BMC 4
  - reliability, availability, and serviceability 5
  - server 3, 4
  - ServerGuide 58
- firmware, update 7
- formatting
  - hard disk drive 62

## H

- handling static-sensitive devices 20

- hard disk drive
  - activity LED 8, 9
  - formatting 62
  - hot-swap 32
  - installing 27
  - order of installation 33
  - simple-swap 33
  - status LED 9
- heat output 3
- hot-swap drive
  - backplane
    - activity LED 9
    - SAS IDs 33
    - status LED 9
  - installation 31
  - specifications 3
- hot-swap power supply
  - installing 45
  - removing 45
  - replacing 44
  - safety 44

## I

- IBM Configuration/Setup Utility program
  - menu choices 54
  - starting 54
  - using 54
- IBM Director 6
- IDs for SAS hot-swap drives 33
- important notices 2
- indicators 8
- installation guidelines 18
- installation order
  - hard disk drives 33
  - memory modules 24, 26
- installing
  - adapters 37
  - CD or DVD drive 28
  - cover 49
  - hot-swap drives 31, 32
  - hot-swap power supply 44
  - internal drives 27
  - lower bezel 48
  - memory modules 24
  - options 18
  - power supply 45
  - removable-media drives 27
  - SAS/SATA controller 43
  - security rope clip 46
  - simple-swap drives 33
  - tape drive 30
  - upper bezel 47
- internal
  - drives, installing 27
- IPMI 56

## K

- keyboard connector 10

## L

### LED

AC power 11

### LEDs

CD drive activity 9  
diskette drive activity 9  
DVD drive activity 9  
Ethernet link status 11  
Ethernet transmit/receive activity 11  
hard disk drive activity 8  
hot-swap hard disk drive activity 9  
hot-swap hard disk drive status 9  
power-on 8  
system board 18  
system-error 8

### lower bezel

installing 48  
removing 22

LSI Configuration program 61

## M

major components 13

### memory

installing 24  
specifications 3

### memory module

installing 25  
order of installation 24, 26  
specifications 3  
supported 24

### microprocessor

cache 56  
specifications 3

mini baseboard management controller (mini-BMC) 4

modes, Ethernet 60

mouse connector 10

## N

network operating system (NOS) installation

with ServerGuide 59  
without ServerGuide 59

NMI 57

notes 2

notes, important 64

### notices

electronic emission 67  
FCC, Class A 67

notices and statements 2

## O

online publications 2

### optional device

installation guidelines 18  
static-sensitive 20

### optional devices

connectors 10

### options

adapters 36, 37  
connectors 17  
drives 27  
installing 18  
memory modules 24

### order of installation

hard disk drives 33  
memory modules 24, 26

## P

parallel connector 10

### password

forgotten power-on 57  
setting 56

### passwords

using 57

PCI configuration 56

### peripheral component interconnect (PCI)

expansion slots 3

### ports

Ethernet 11  
parallel 10  
serial 1 10  
serial 2 10  
Universal Serial Bus (USB) 8, 10  
video 10

power control-button 8

### power supply

installing 44, 45  
removing 44  
replacing 44  
safety 44  
specifications 3

power-cord connector 10

power-on LED 8

processor control 56

## R

### RAID array

creating 62

RAS features 5

### RAS.

*See also* features

reliability, availability, and serviceability 5

### redundant array of independent disks (RAID)

adapter 32, 36  
support 4

related documentation 1

reliability features 5

reliability, system 19

removable-media drives, installing 27, 28

### removing

cover 21  
hot-swap power supply 44  
lower bezel 22  
upper bezel 23

replacing a hot-swap power supply 44

retaining clips, dual inline memory module (DIMM) 26

rope clip, installing for security 46

## S

### safety information

handling static-sensitive devices 20

introduction vi

multilingual pointer v

Statement 1 vii

Statement 12 xi

Statement 13 xi

Statement 15 xii

Statement 2 viii

Statement 3 ix

Statement 4 x

Statement 5 x

Statement 8 xi

system reliability considerations 19

when the server is on 20

### SAS/SATA controller

installing 43

scanning order for adapters 36

security rope clip 46

serial 1 connector 10

serial 2 connector 10

### Serial Advanced Technology Attachment (SATA)

hot-swap drives 31, 32

simple-swap drives 33

status LEDs for hot-swap drives 9

### Serial Attached SCSI (SAS)

activity LEDs for hot-swap drives 9

backplane

activity LEDs for hot-swap drives 9

description 31

IDs for hot-swap drives 33

status LEDs for hot-swap drives 9

hot-swap drives 31, 32

status LEDs for hot-swap drives 9

### server

configuring 53

features 3

power features 11

specifications 3

### ServerGuide

CDs 53

features 58

NOS installation 59

Setup and Installation CD 53

starting the Setup and Installation CD 58

using 57

serviceability features 5

### setup

advanced 56

with ServerGuide 58

simple-swap drives 33

size 3

specifications 3

### starting

ServerGuide Setup and Installation CD 58

statements and notices 2

static electricity 20

static-sensitive devices, handling 20

status LEDs 8

### system board

external connectors 16

internal connectors 14

jumpers 15

LEDs 18

memory connectors 25

option connectors 17

system reliability 19

system specifications 3

system-error LED 8

systems management 6

## T

tape drive, installing 27

temperature 3

trademarks 63

two-piece bezel 22, 47

## U

United States electronic emission Class A notice 67

United States FCC Class A notice 67

### Universal Serial Bus (USB)

connectors

front 8

rear 10

update device drivers and firmware 7

Update Xpress program 7

### upper bezel

installing 47

removing 23

### using

Boot Menu program 59

Configuration/Setup Utility program 53

IBM Configuration/Setup Utility program 54

passwords 56, 57

ServerGuide 57

## V

### video

connector 10

controller 3

specifications 3

## W

### Web site

compatible options 19, 24

IBM eServer and System x3200 products 1

IBM support 2

ServerGuide 58

ServerProven list 19, 24, 36

Update Xpress program 7

weight 3





Part Number: 46M1897

Printed in USA

(1P) P/N: 46M1897

